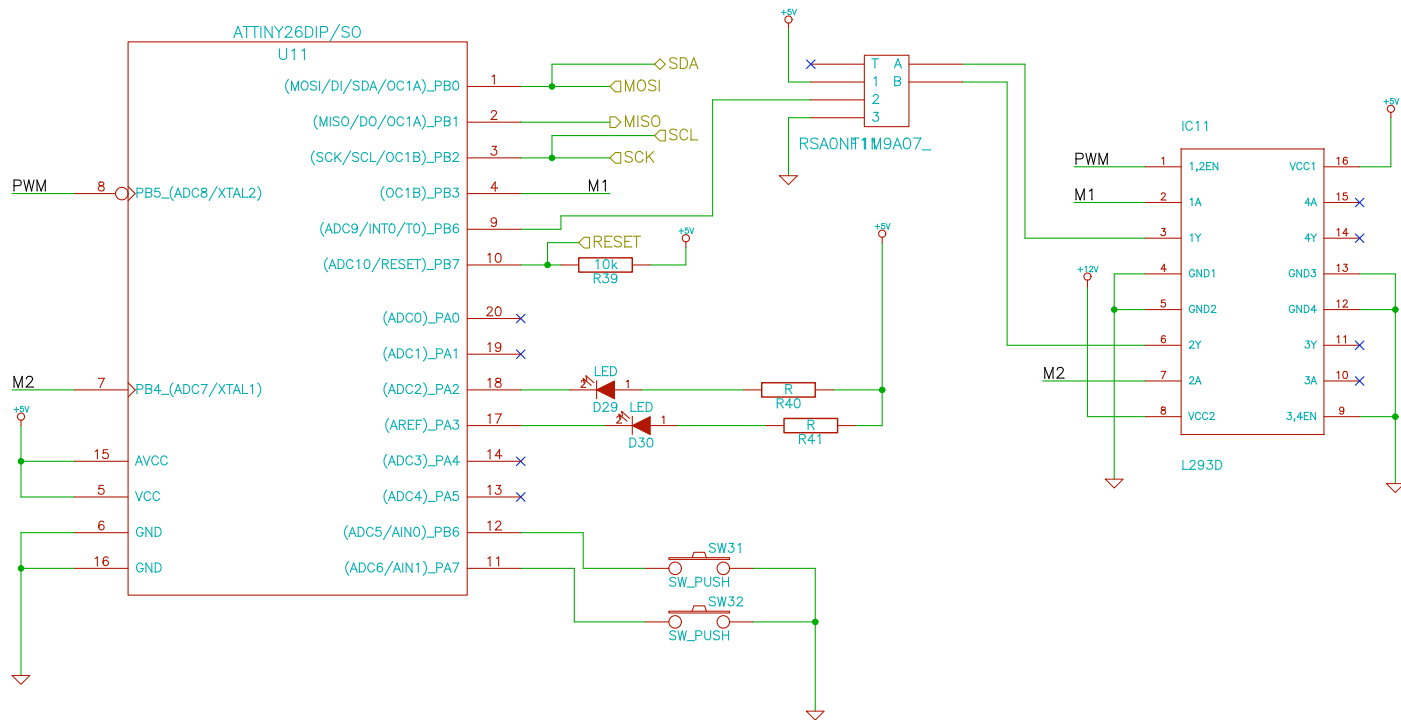
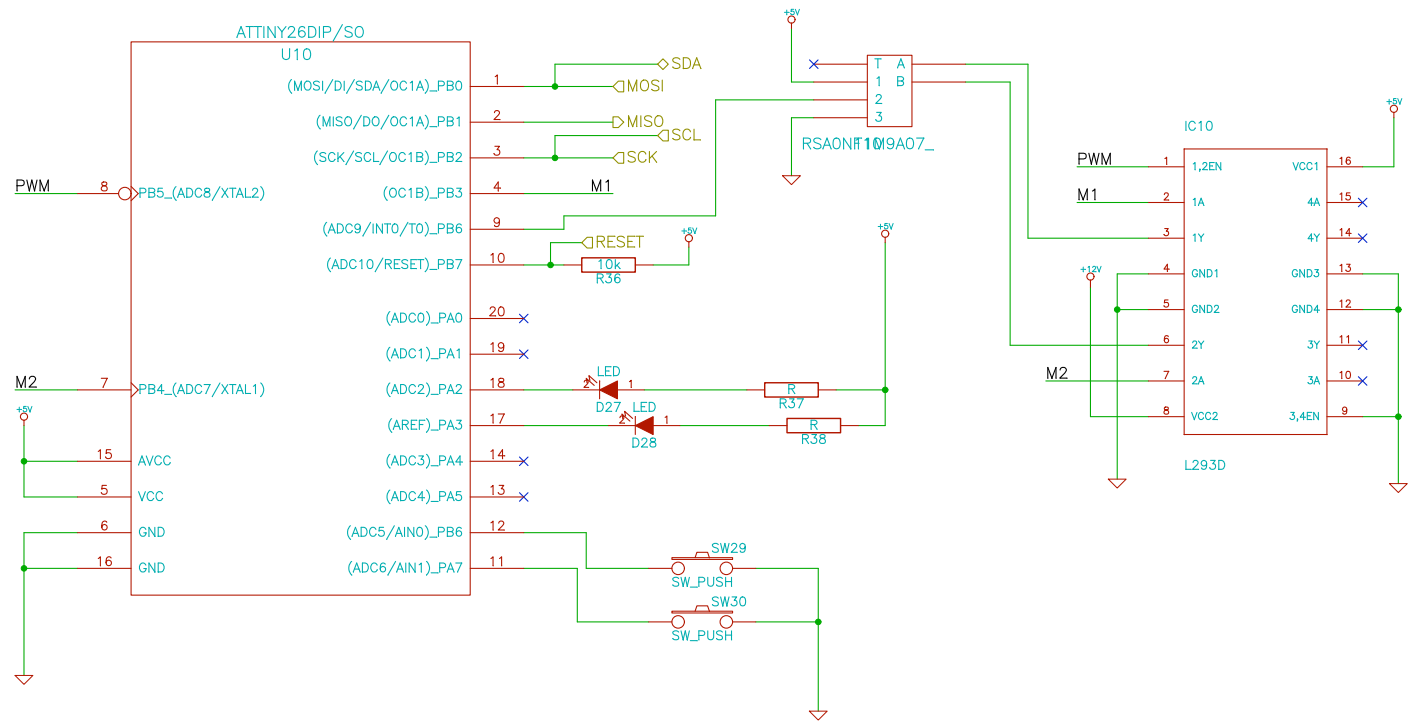


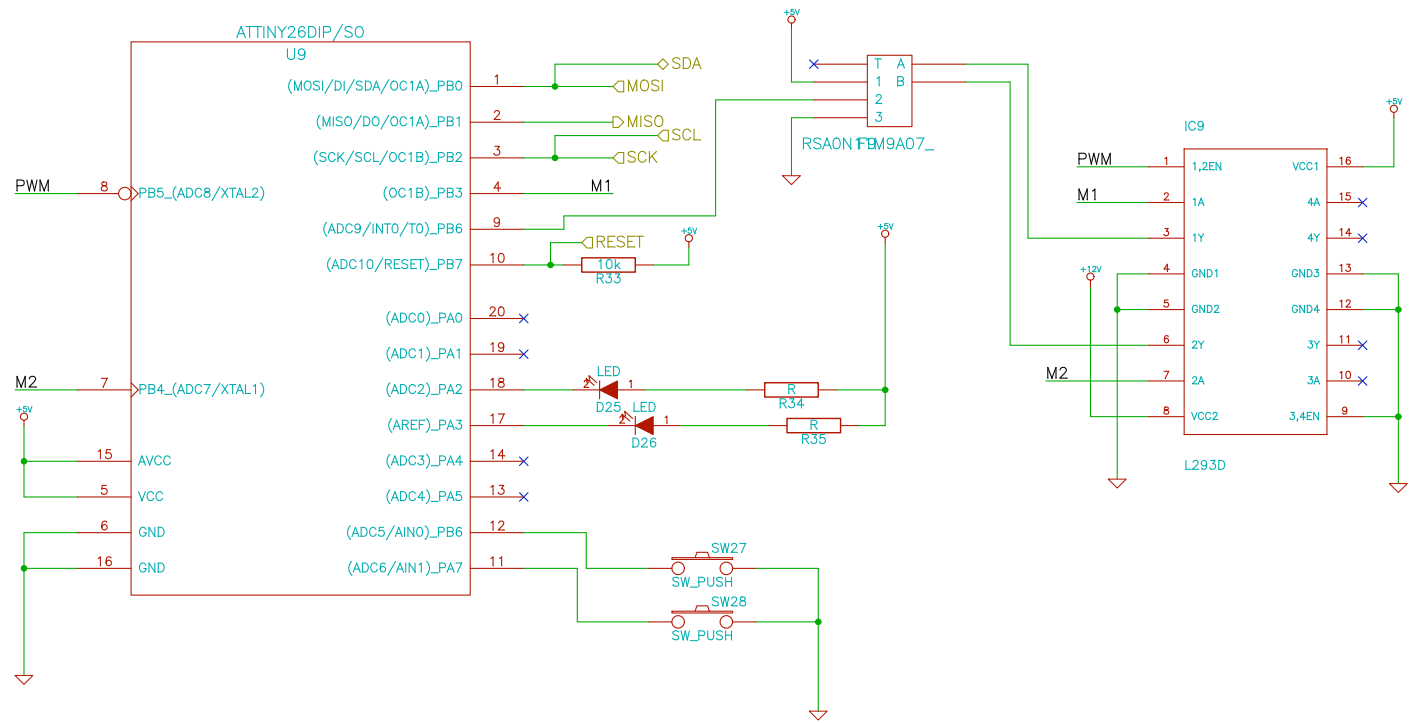
File: kanalmodul.sch		
Sheet: /		
Title: Lichtmischpuit - Kanalmodul		
Size: A4	Date: 20 nov 2009	Rev: 1
KiCad E.D.A. eeschema (20091118 SVN-R2105)		Id: 1/12



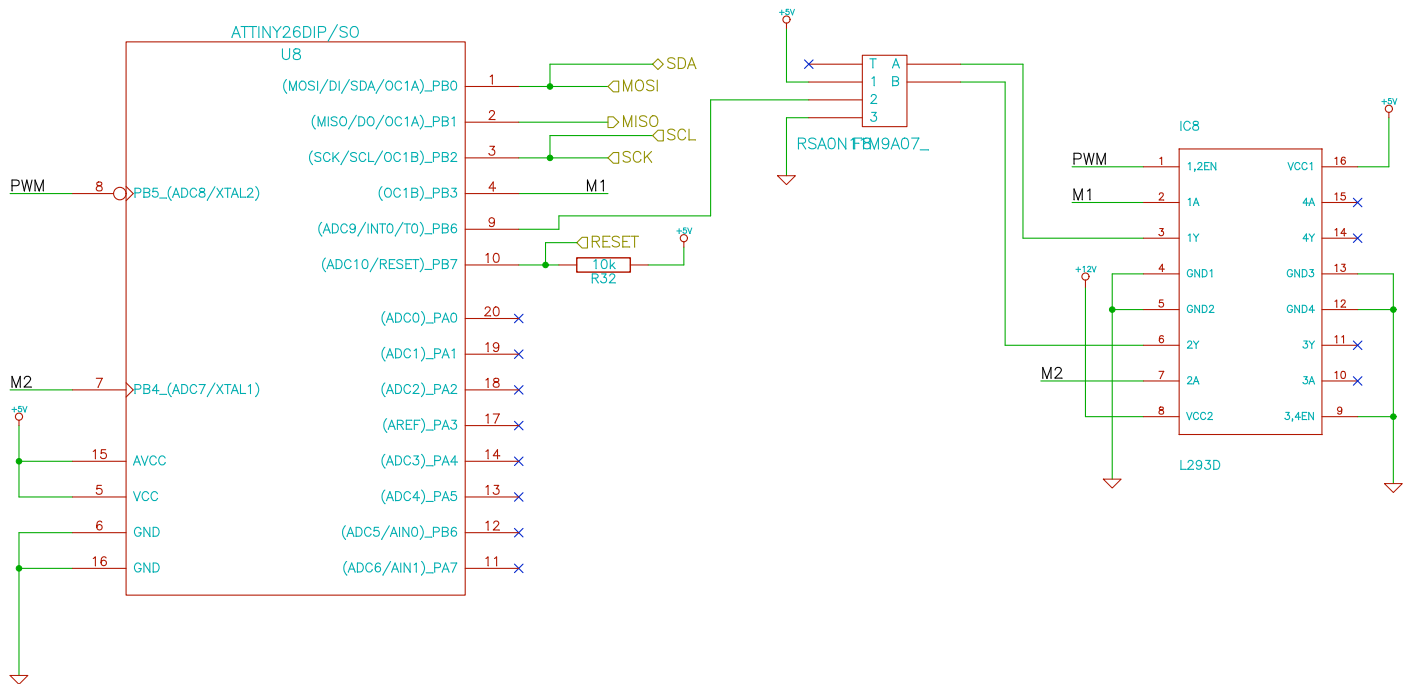
File: master.sch		
Sheet: /Master/		
Title:		
Size: A4	Date: 20 nov 2009	Rev:
KiCad E.D.A. eeschema (20091118 SVN-R2105)		Id: 2/12



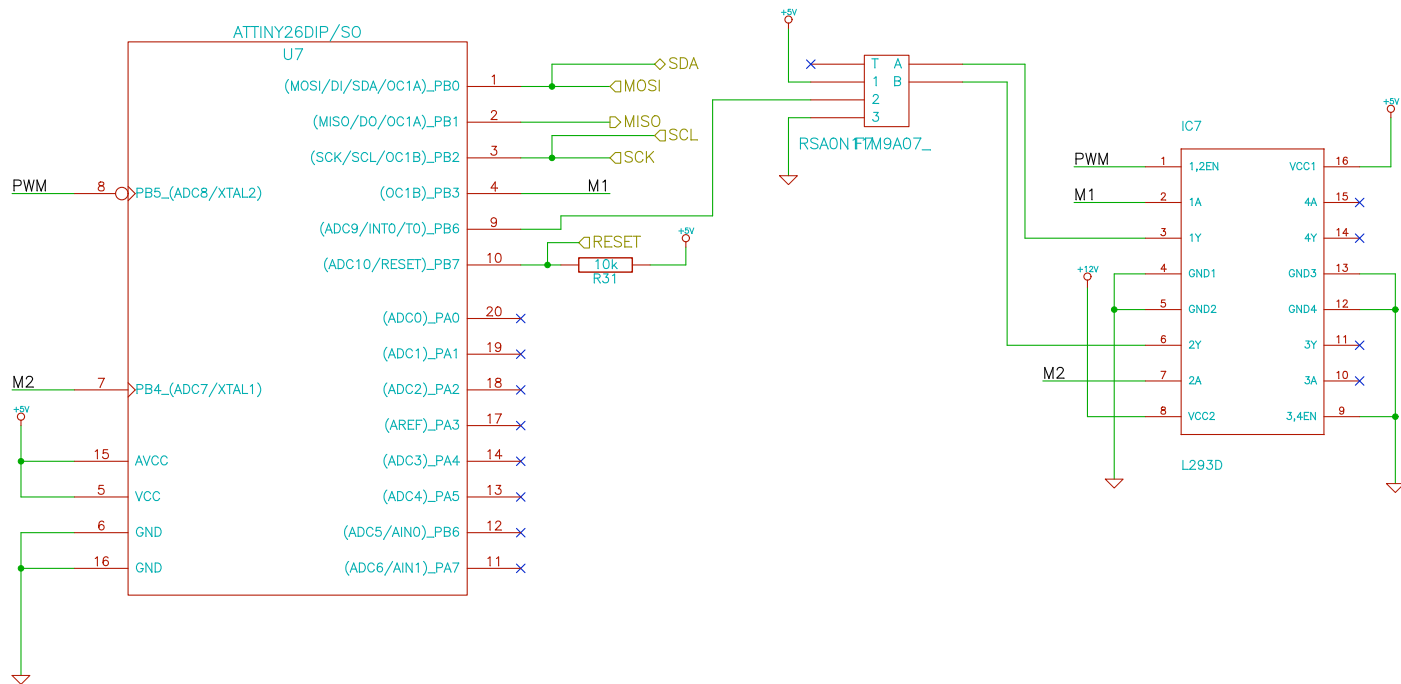
File: bus2.sch		
Sheet: /Bus 2/		
Title:		
Size: A4	Date: 20 nov 2009	Rev:
KiCad E.D.A. eeschema (20091118 SVN-R2105)		id: 3/12



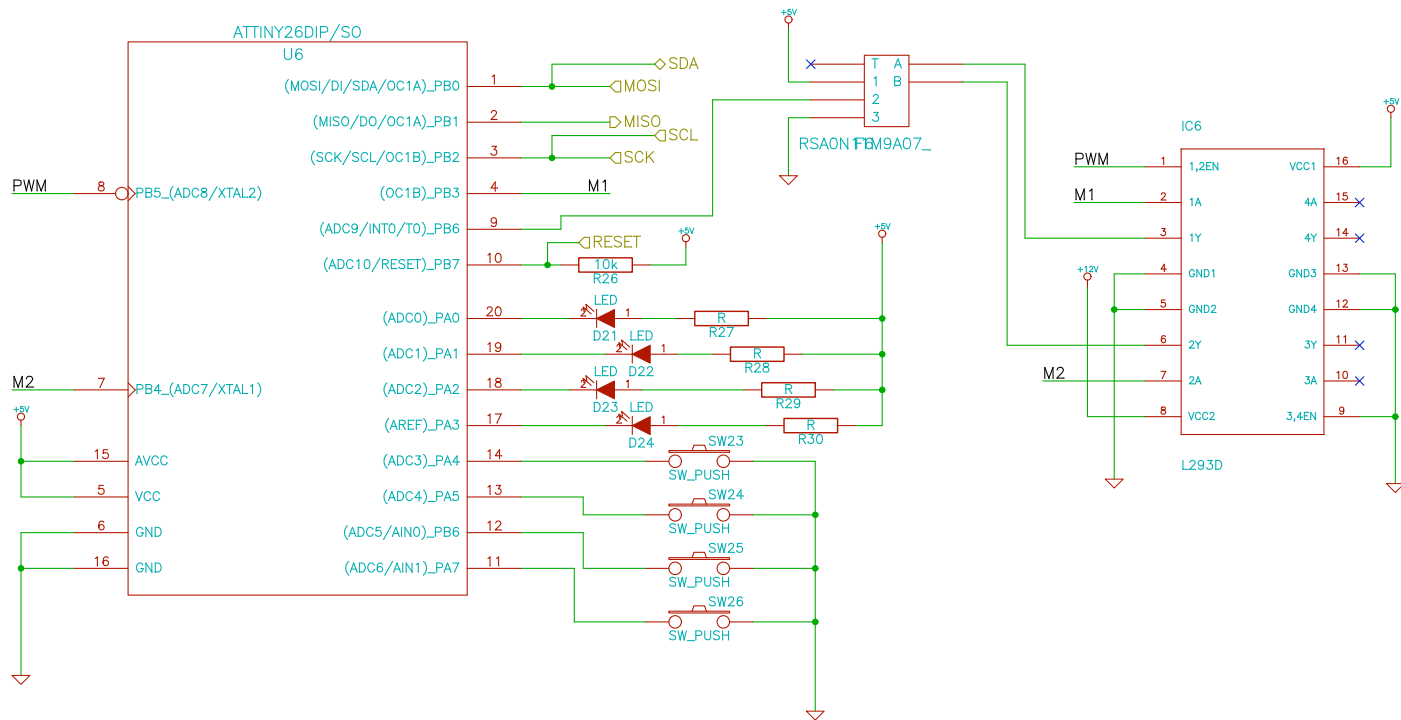
File: bus1.sch		
Sheet: /Bus 1/		
Title:		
Size: A4	Date: 20 nov 2009	Rev:
KiCad E.D.A. eeschema (20091118 SVN-R2105)		id: 4/12



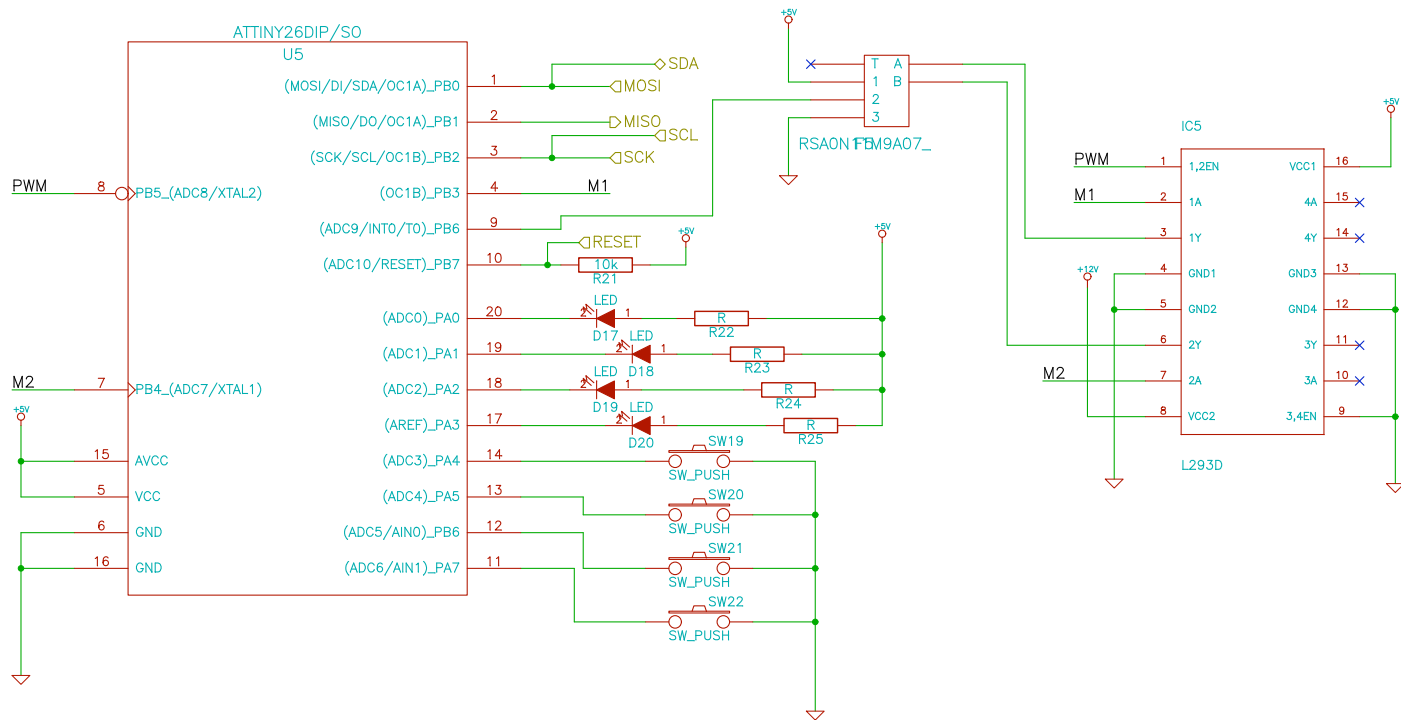
File: ch8.sch		
Sheet: /Channel 8/		
Title:		
Size: A4	Date: 20 nov 2009	Rev:
KiCad E.D.A. eeschema (20091118 SVN-R2105)		Id: 5/12



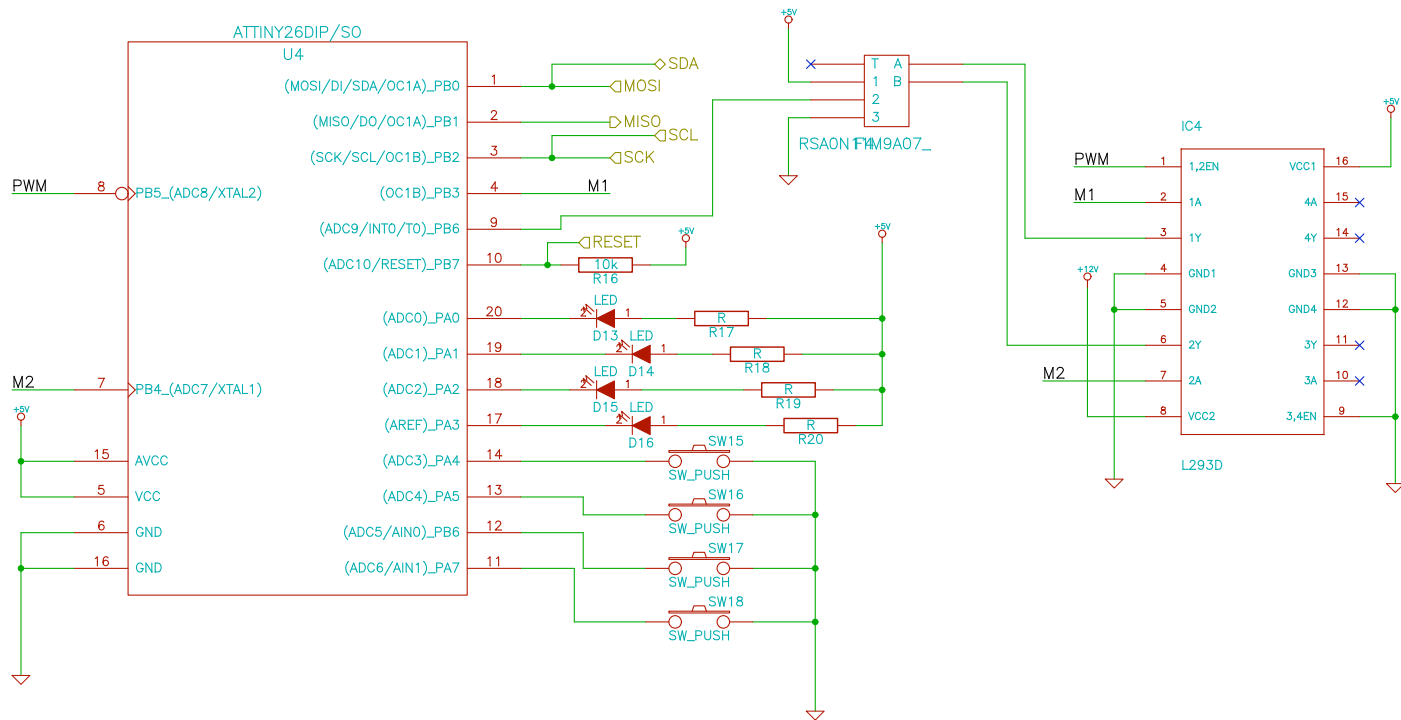
File: ch7.sch		
Sheet: /Channel 7/		
Title:		
Size: A4	Date: 20 nov 2009	Rev:
KiCad E.D.A. eeschema (20091118 SVN-R2105)		Id: 6/12



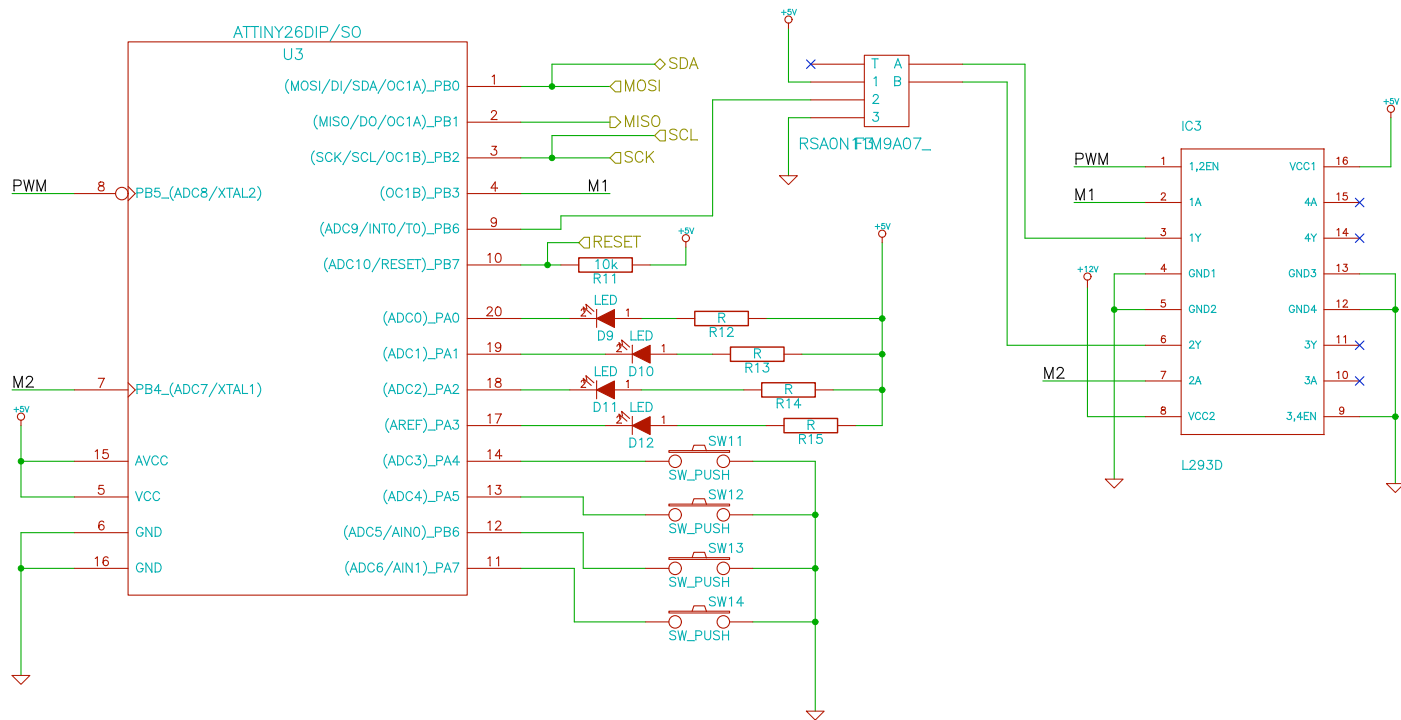
File: ch6.sch		
Sheet: /Channel 6/		
Title:		
Size: A4	Date: 20 nov 2009	Rev:
KiCad E.D.A. eeschema (20091118 SVN-R2105)		id: 7/12



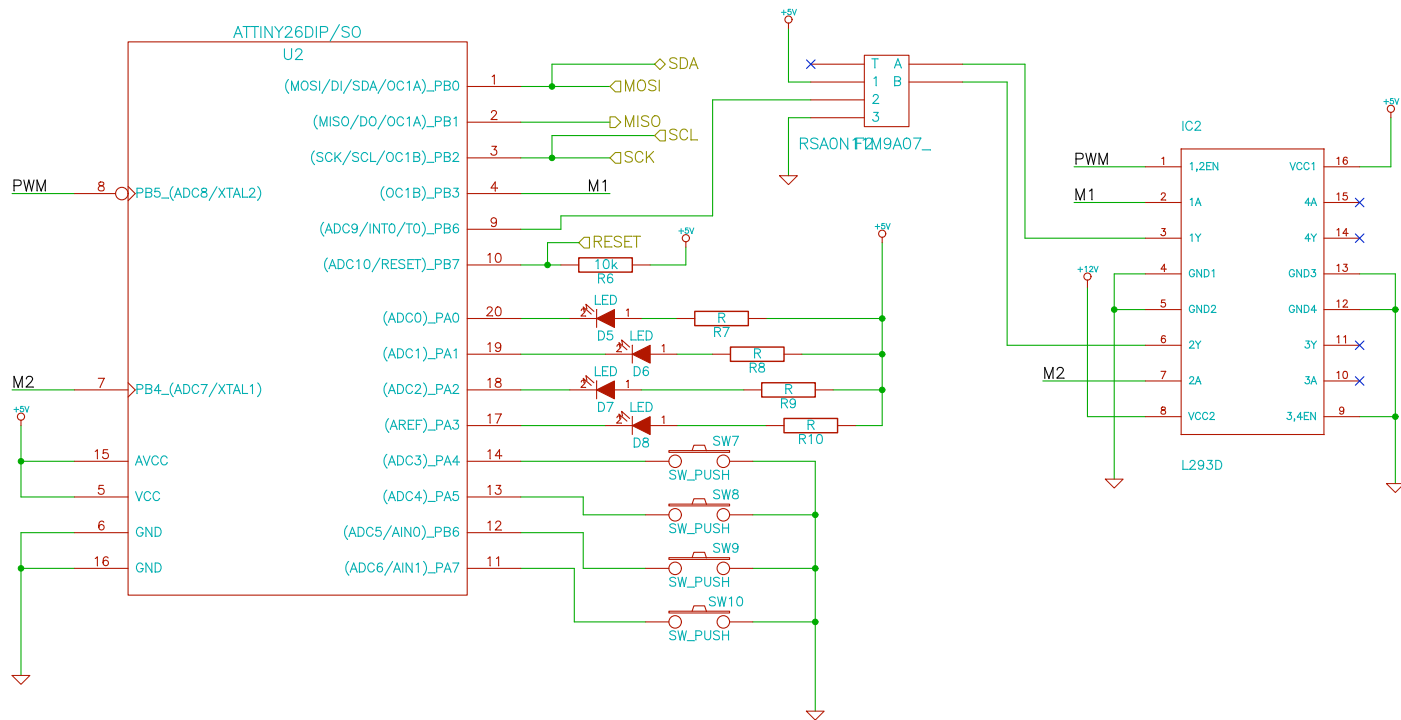
File: ch5.sch		
Sheet: /Channel 5/		
Title:		
Size: A4	Date: 20 nov 2009	Rev:
KiCad E.D.A. eeschema (20091118 SVN-R2105)		id: 8/12



File: ch4.sch		
Sheet: /Channel 4/		
Title:		
Size: A4	Date: 20 nov 2009	Rev:
KiCad E.D.A. eeschema (20091118 SVN-R2105)		id: 9/12



File: ch3.sch		
Sheet: /Channel 3/		
Title:		
Size: A4	Date: 20 nov 2009	Rev:
KiCad E.D.A. eeschema (20091118 SVN-R2105)		id: 10/12



File: ch2.sch
 Sheet: /Channel 2/

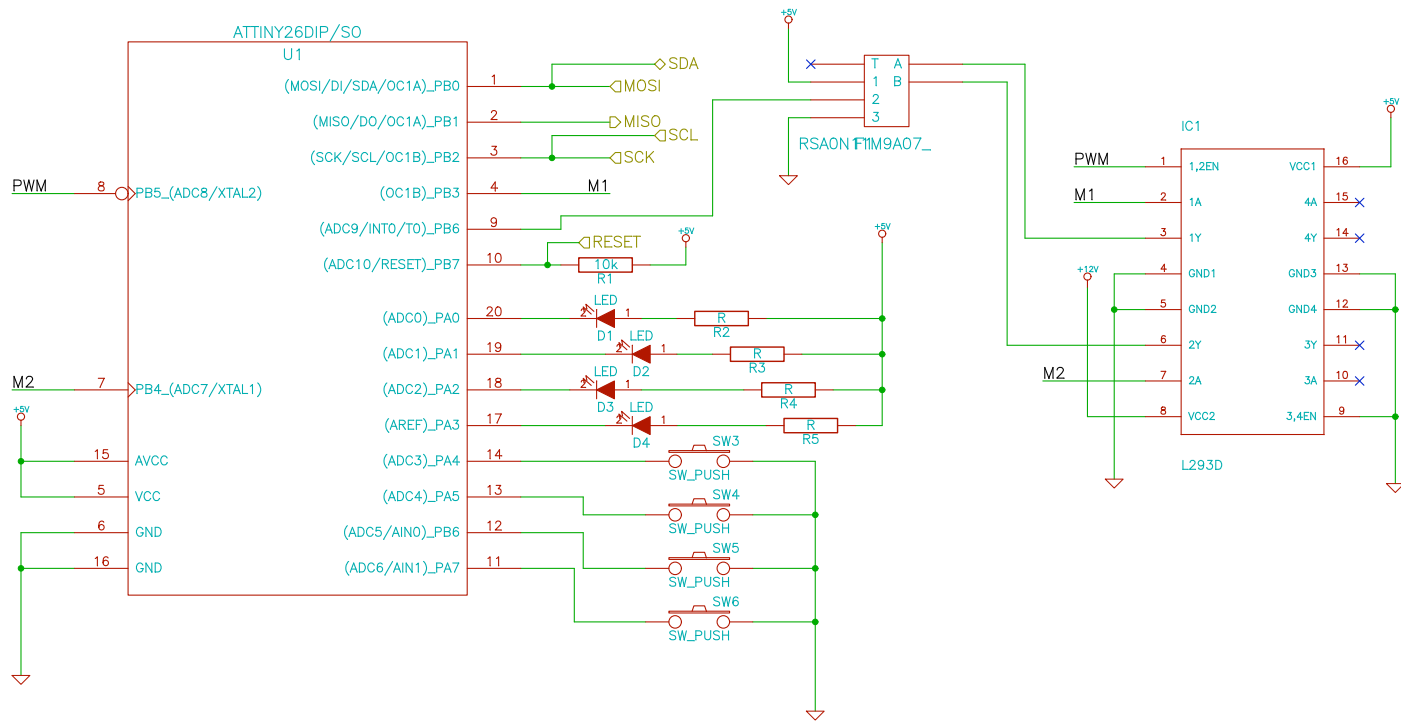
Title:

Size: A4 Date: 20 nov 2009

Rev:

KiCad E.D.A. eeschema (20091118 SVN-R2105)

Id: 11/12



File: ch1.sch		
Sheet: /Channel 1/		
Title:		
Size: A4	Date: 20 nov 2009	Rev:
KiCad E.D.A. eeschema (20091118 SVN-R2105)		id: 12/12