

2002 NEW

ALPS

FM/AM Combination Tuner with Noise Immunizing

TFCF Series

30 % less volume than our traditional models thanks to state-of-the-art customized IC.

■ Features

- Uniquely developed IC has achieved a small volume of 60 ml, 30 % less than our traditional models.
- Fully shielded structure with ANT connector effectively filters out noise.

■ Applications

- Offers a wide range applications to audio equipment, especially multi-functional, compact audio equipment, such as mini- and micro-component stereo equipment, MD radio cassette recorders, DVDs and audio receivers.

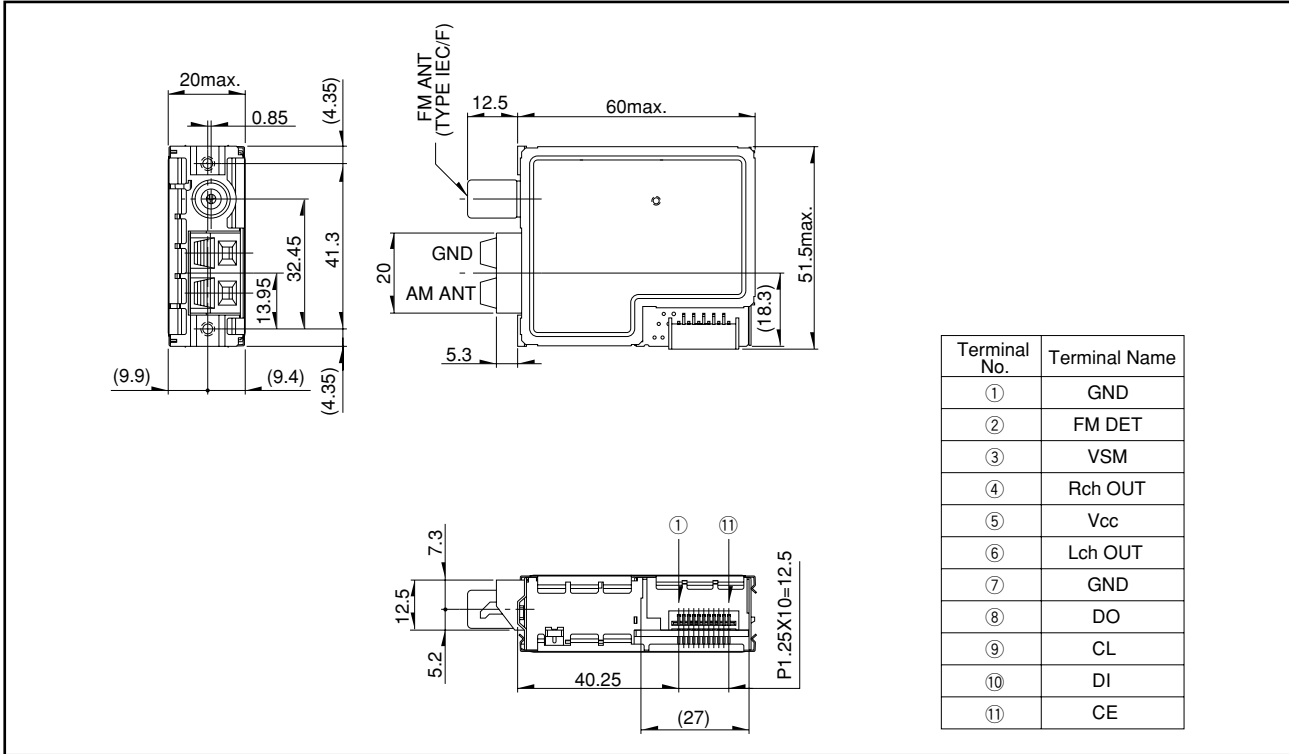


■ Typical Specifications

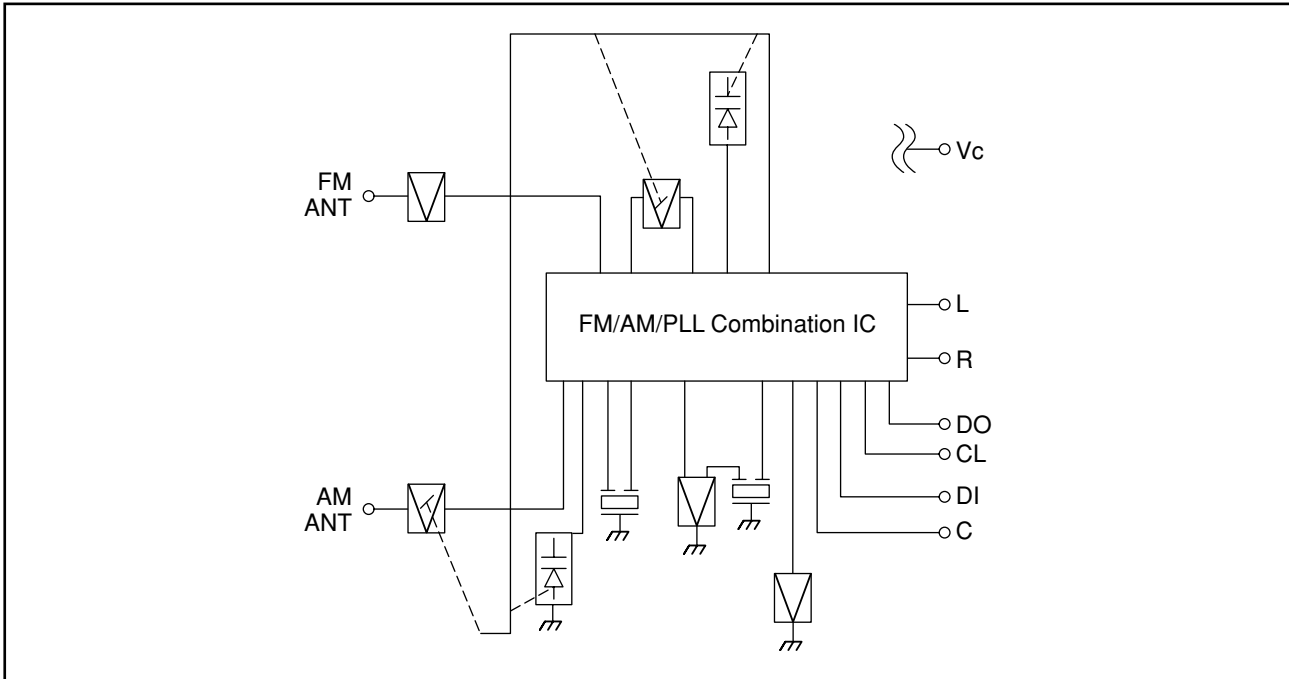
Item		Specifications
Receiving frequency range	AM	530KHz to 1710KHz
	FM	87.5MHz to 108MHz
Input impedance	AM	—
	FM	75Ω
Receive sensitivity	AM @SN20dB	51dB μ
	FM @SN50dB	15dB μ
Stereo separation	FM	45dB
Output level	AM	-7.5dBs
	FM	2.5dBs
Total harmonic distortion	AM	1.2%
	FM	0.25%
Power consumption		9V / 500mW
Volume		60ml

Dimensions

Unit:mm



Block Diagram



CAUTION

- 1.The appearance and specifications of the product may be modified without prior notice to improve its performance.
- 2.This catalog shows only outline specifications. When using the product, please obtain formal specifications for supply.
- 3.This catalog is valid till the end of December 2002.
- 4.All products and brand names provided in this catalog are trademarks or registered trademarks of their respective owners.