

CPU



File: CPU.kicad_sch

I2C



File: I2C.kicad_sch

Power-Switch



File: Power-Switch.kicad_sch

USB



File: USB.kicad_sch

Connectors



File: Connectors.kicad_sch

Power Supply



File: PowerSupply.kicad_sch

PortVoltageTranslator



File: PortVoltageTranslator.kicad_sch

USART



File: USART.kicad_sch

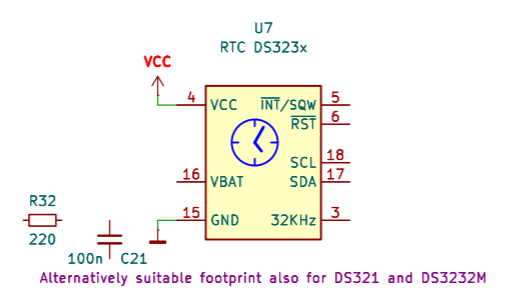
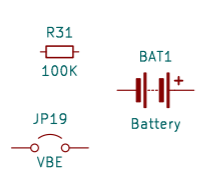
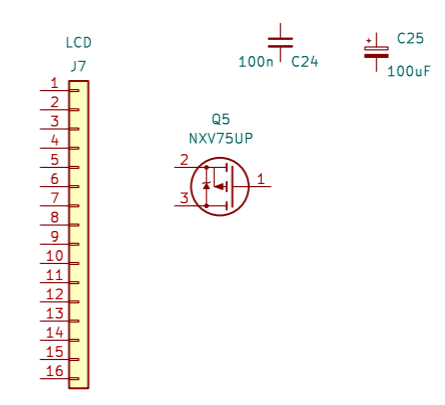
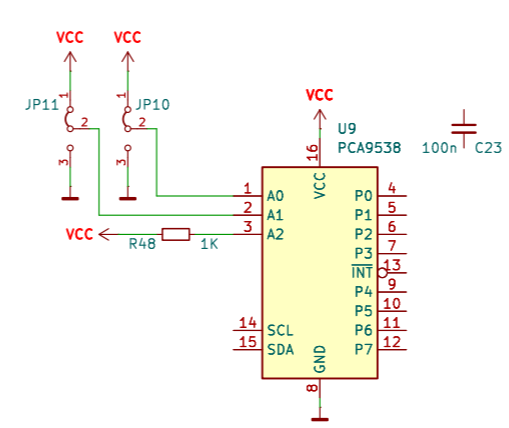
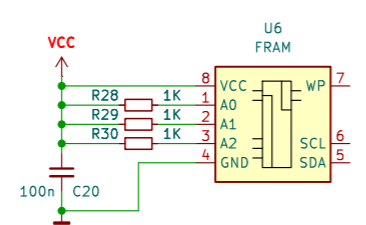
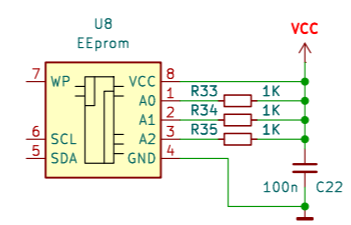
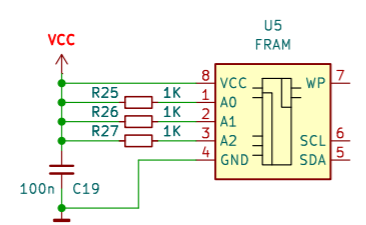
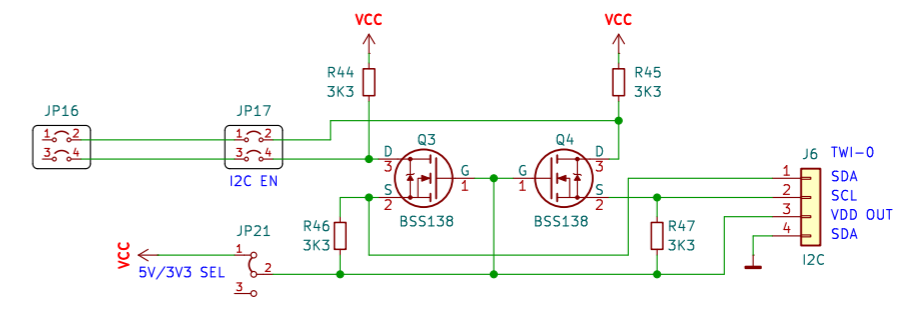
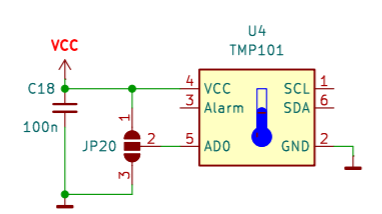
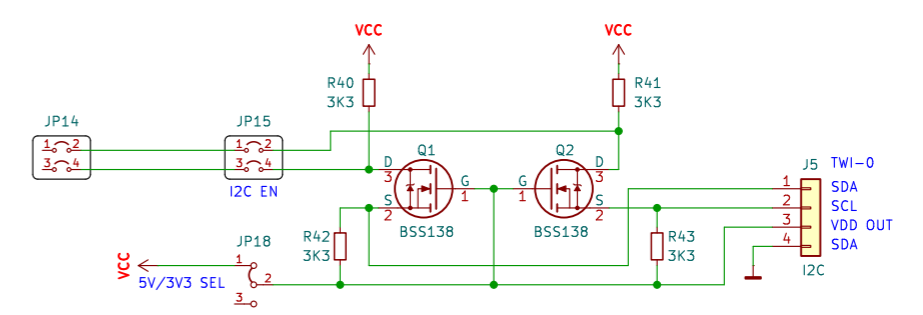
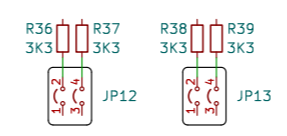
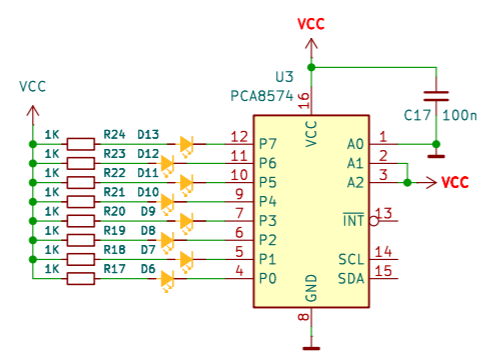
OneWire



File: OneWire.kicad_sch

history of development
AVRnDxBoard_History.txt

Sheet: /	
File: AVRnDxBoard.kicad_sch	
Title: AVRnDx Board – I2C Section	
Size: A4	Date: 2024-06-19
KiCad E.D.A. 8.0.3	Rev: /
	Id: 1/10



	1	2	3	4	5	6	7	8
A								
B								
C								
D								
E								
F								

Sheet: /OneWire/ File: OneWire.kicad_sch		
Title: Dallas 1-Wire Master		
Size: A3	Date: 2024-06-19	Rev:
KiCad E.D.A. 8.0.3		Id: 10/10