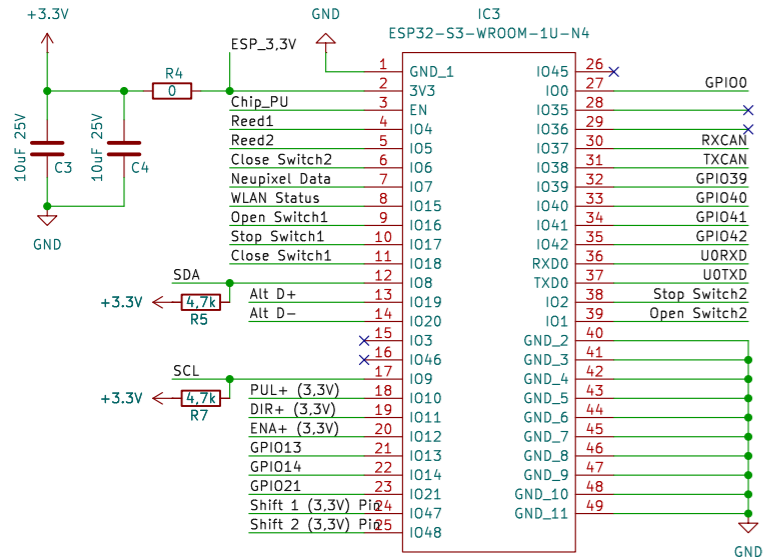


ESP32-S3

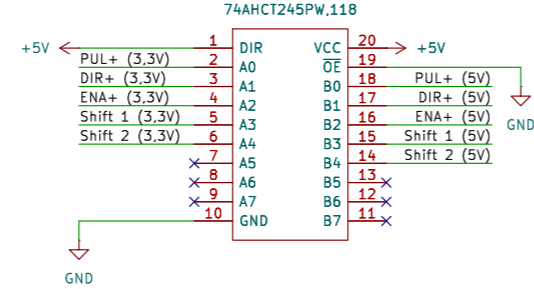
I2C	
SDA	IO8
SCL	IO9

Strapping Pins	
GPIO0	Pull up
GPIO3	Floating
GPIO45	Pull down
GPIO46	Pull down

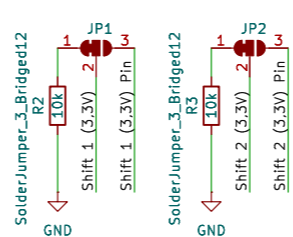


Levelshifter Stepper

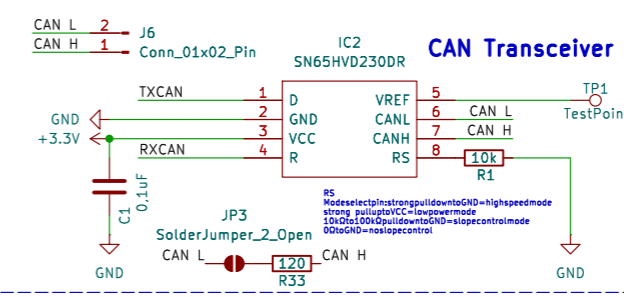
Levelshifter



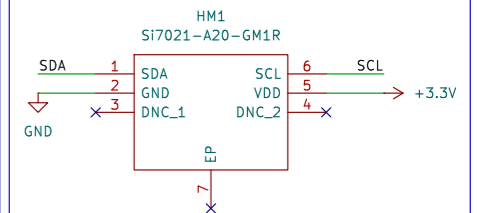
unused Pins



CAN Kommunikation

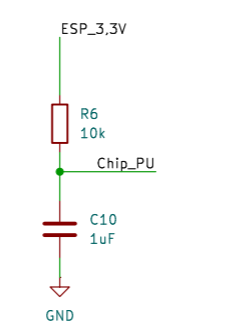


Temperature Sensor

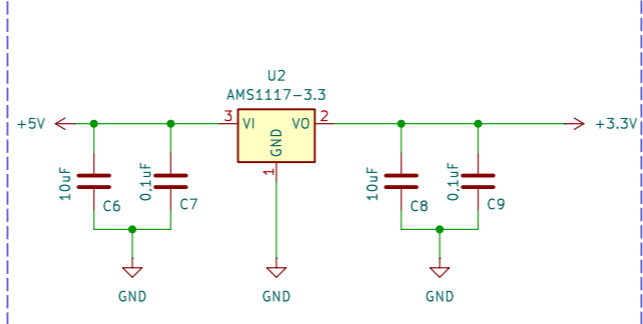


Voltage Operations

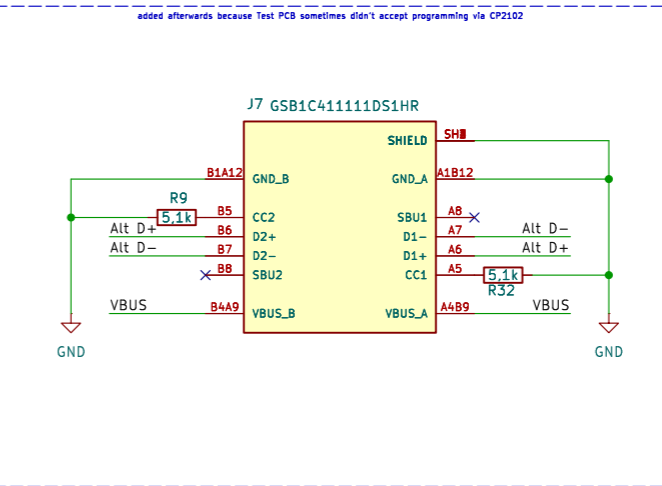
Voltage Stabilization



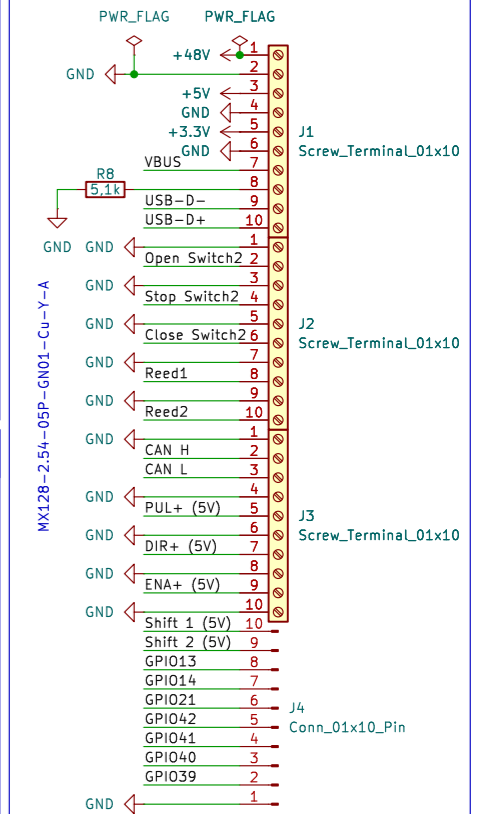
Linear Voltage Regulator



USB-C native

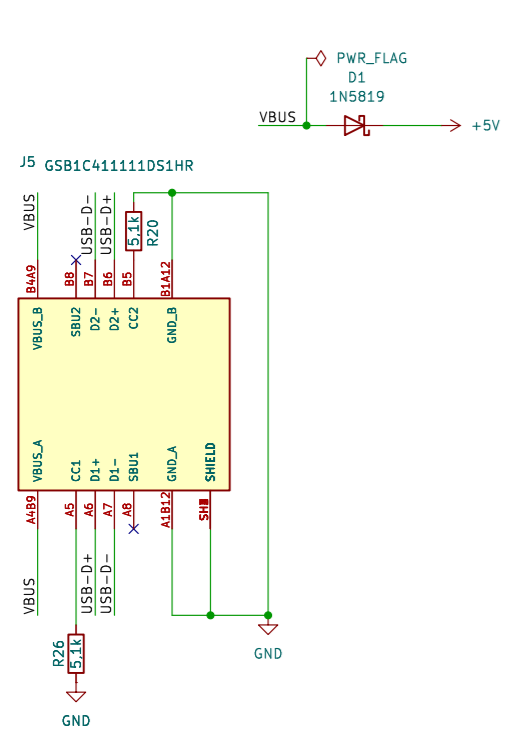


Screw Terminal

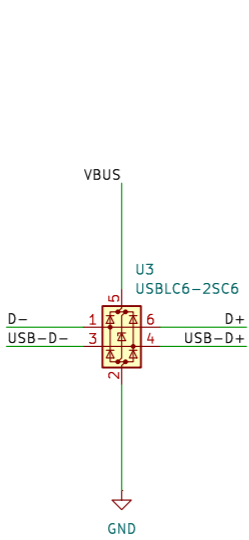


USB to UART Bridge

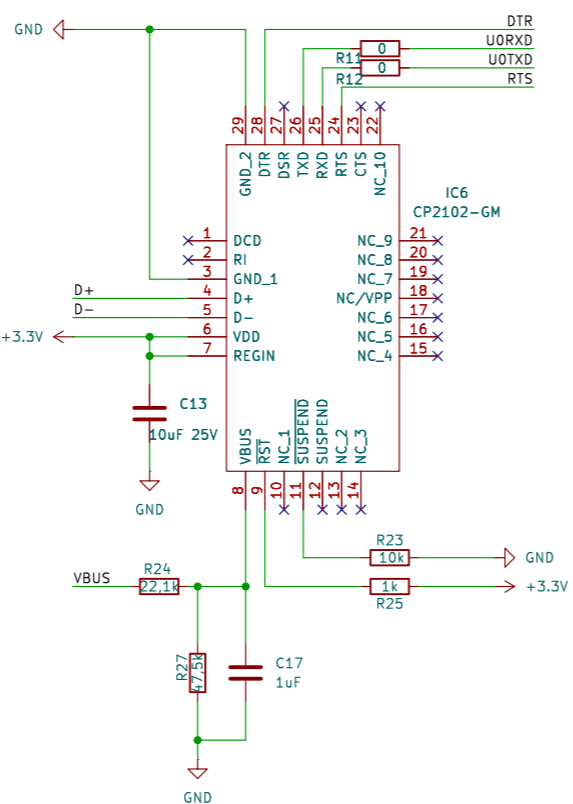
USB-C Port



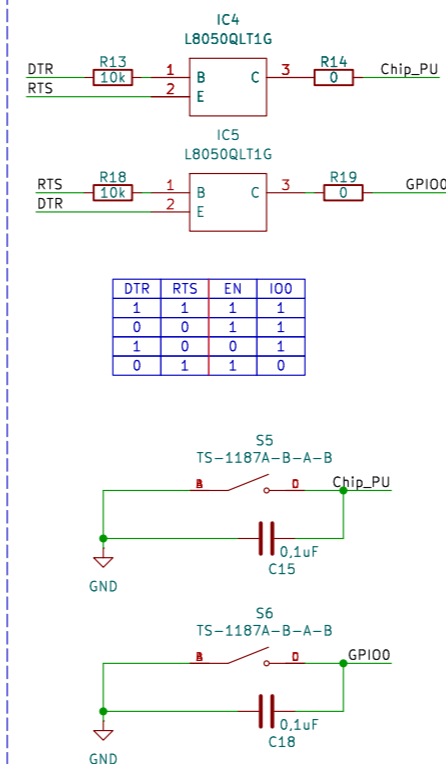
Protection Module



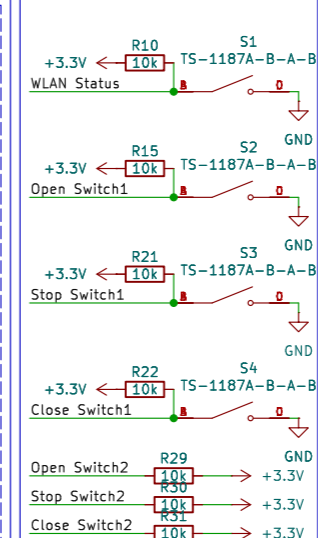
Bridge Module



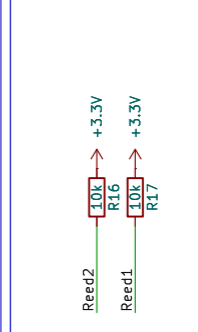
ESP Reset/EN Command



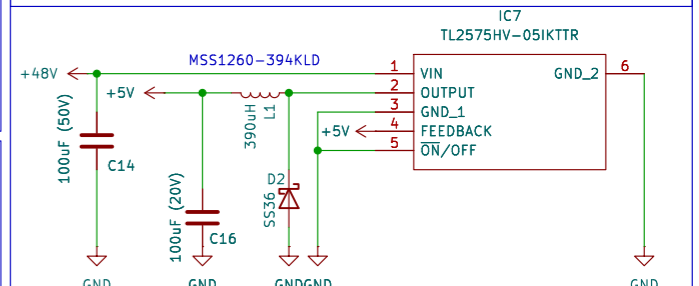
Switches



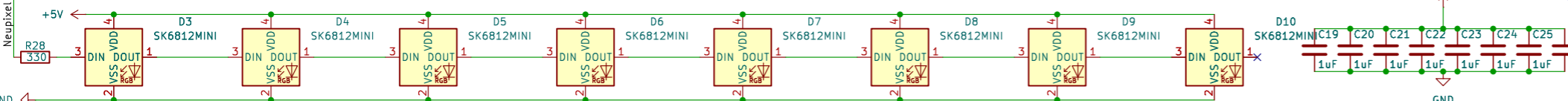
Reed



Voltage Regulation 48V-5V



Status LEDs



HF Filtering

