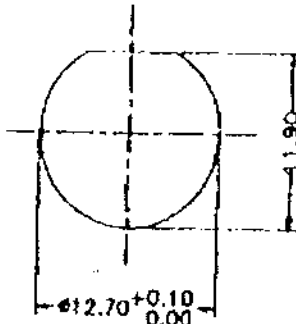
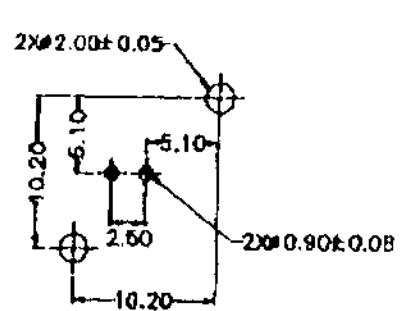
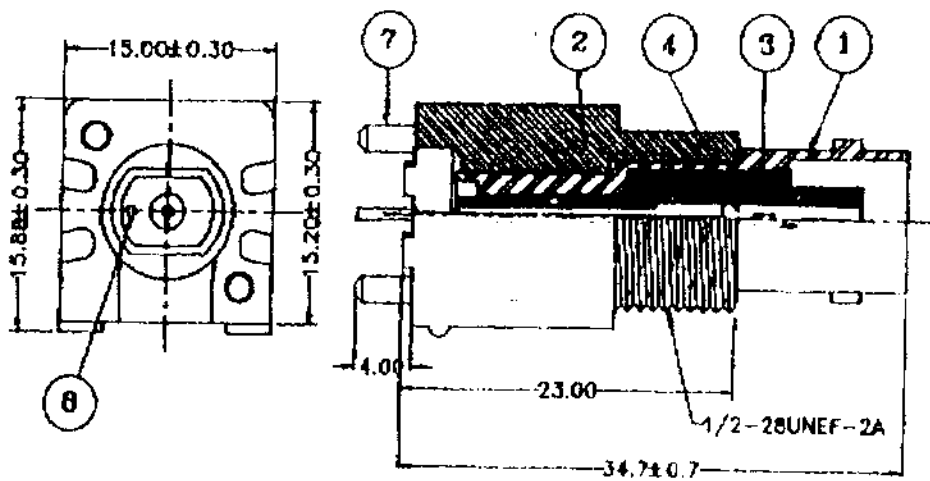
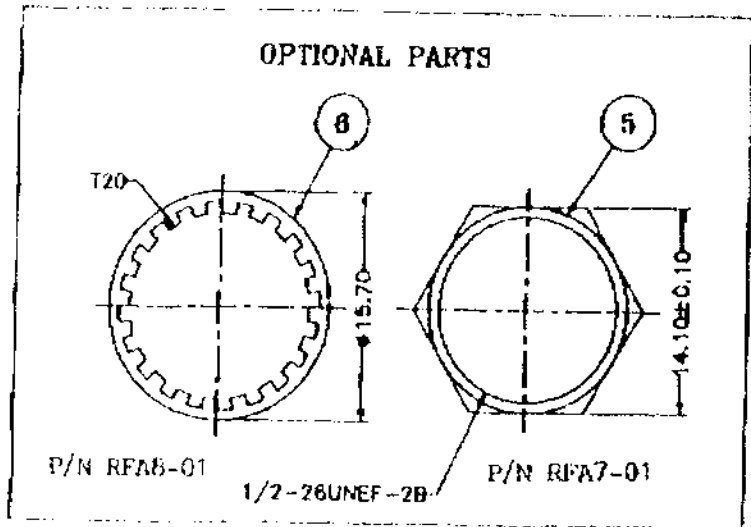


UC 109902



PCB HOLE CONFIGURATION

PANEL CUTOUT

ITEM	DESCRIPTION	MATERIAL	PLATING	QTY	NOTE
1	BODY	ZINC ALLOY	NICKEL	1	
2	HOUSING	PBT ± 30%G.R.	NONE	1	
3	DIELECTRIC	P.P.	NONE	1	
4	CONTACT	PHOSPHOR B.	GOLD & TIN	1	
5	NUT	BRASS	NICKEL	1	OPTIONAL
6	TEETH/WASHER	1/2-26 UNEF-2B	NICKEL	1	OPTIONAL
7	POST	BRASS	TIN	1	
8	GROUNDING	COPPER COVERED STEEL	TIN	1	

- NOTES:
1. NOMINAL IMPEDANCE: 50 OHMS.
 2. FREQUENCY RANGE: 0-4 GHz.
 3. MAX PEAK VOLTAGE: 500V.
 4. INSULATION RESISTANCE: 5000 MEGOHMS MIN.
 5. DIELECTRIC WITHSTANDING VOLTAGE: 1800 VOLTS RMS.

ORDER INFORMATION

- B225-XNTH50 (50 OHMS W/O NUT+WASHER)
- B225-XNTH50+NW (50 OHMS WITH NUT+WASHER)
- B225-XNTH75 (75 OHMS W/O NUT+WASHER)
- B225-XNTH75+NW (75 OHMS WITH NUT+WASHER)

CAT. XX-RF

RECHHEIT
ELEKTRONIK

ELECTRONIKRING 1
26462 SAND
94423-0950

HRG