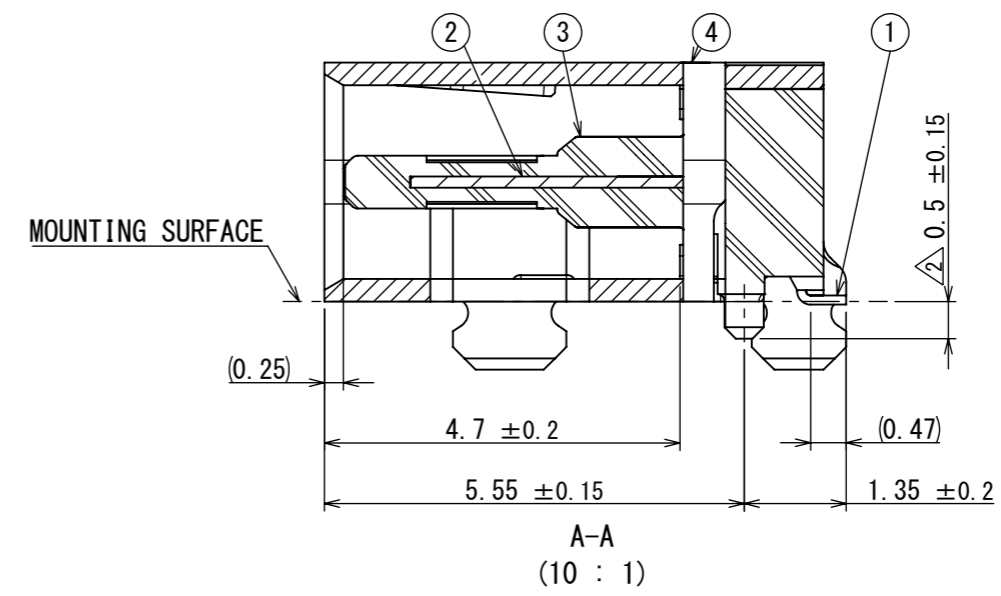
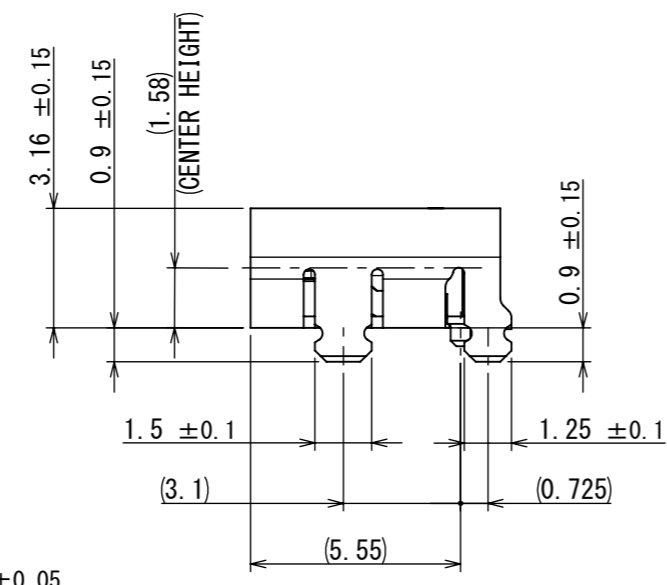
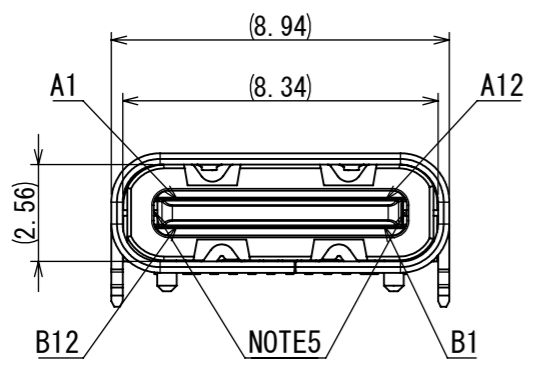
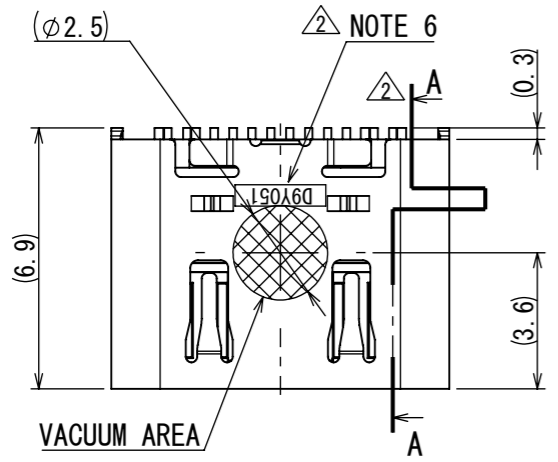


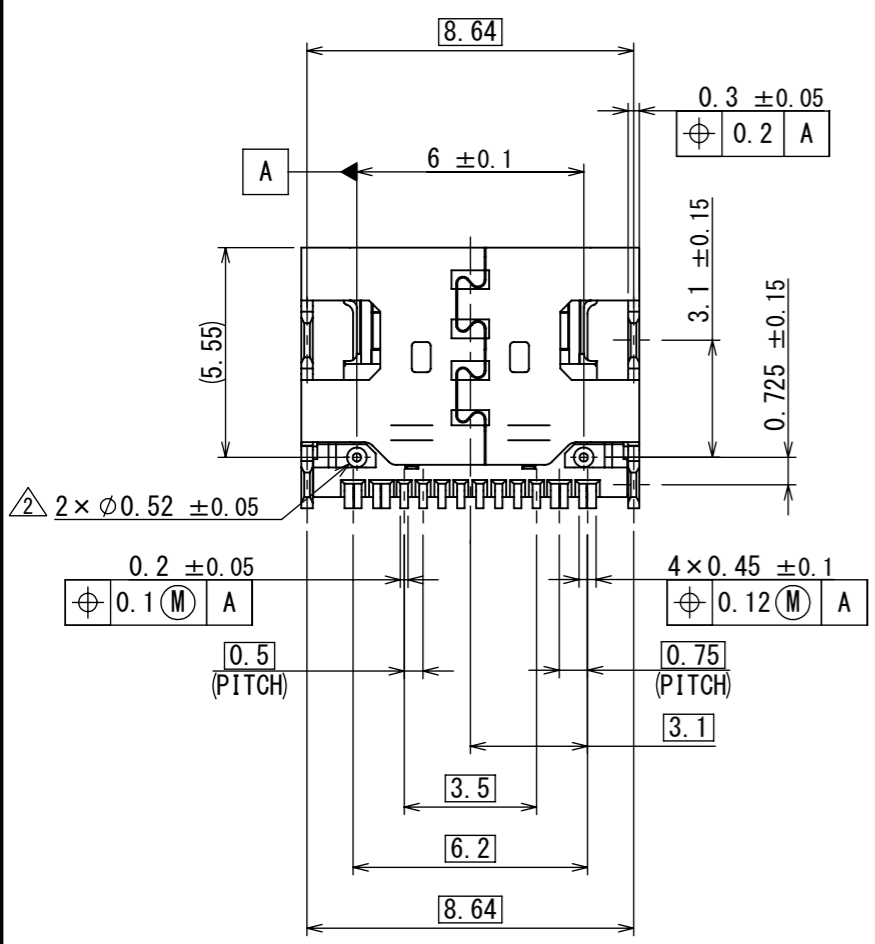
9812183S  
(ON DRAWING) (台番号)

版数 VER.	年月日 DATE	CN NO.	変更内容 DESCRIPTION	製図 DR.	担当 CHK.	査閲 APPD.	承認 APPD.
2	18/DEC/2020	037498	ADDED DIMENSION etc.	—	K. SAITOU	—	I. IGARASHI
3	06/MAR/2024	056489	ADDED JACS-30502 (for automotive)	—	A. SAITO	H. OOTANI	I. IGARASHI



- NOTE 1. THIS PRODUCT IS HALOGEN-FREE PRODUCT.  
 NOTE 2. COPLANARITY OF SMT TERMINAL IS 0.1MAX.  
 NOTE 3. MATING DIMENSIONS CONSIST OF "Universal Serial Bus Type-C Cable and Connector Specification Revision 2.0"  
 NOTE 4. THE SHELL LENGTH IS LESS THAN THE 6.2MM RECOMMENDED IN THE USB STANDARD. THE SYSTEM IMPLEMENTER IS RESPONSIBLE FOR ACHIEVING END PRODUCT RELIABILITY FOR THE MATED CONNECTOR CONDITION. REFER TO "USB TYPE-C CABLE AND CONNECTOR SPECIFICATION REVISION 2.0 SECTION 3.2.1 NOTE 7".  
 NOTE 5. METAL EXPOSED AREA SIZE COULD BE SLIGHTLY CHANGED BASED ON MOLDING CONDITION IN EACH LOT, HOWEVER THIS WOULD NOT AFFECT CONNECTOR FUNCTION.  
 NOTE 6. LOT NUMBER IS MARKED AS INDICATED.

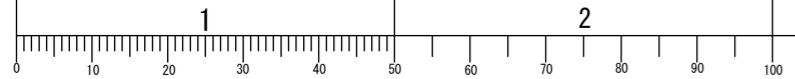
(EX) D 9 Y 05 1  
 PRODUCTION PLACE (END OF ONE DIGIT AT CHRISTIAN ERA)  
 YEAR (JAN. TO SEP.: 1 TO 9, OCT.: 0, NOV.: X, DEC.: Y)  
 MONTH (TWO-DIGITS NUMBER)  
 DAY (NUMBER OR ALPHABET)  
 EQUIPMENT No. (NUMBER OR ALPHABET)



符号 NO.	名称 DESCRIPTION	個数 QTY.	材料 MATERIAL	仕上 FINISH	備考 REMARKS
4	SHELL	1	STAINLESS STEEL	NICKEL PLATING	NICKEL : 0.5 μm MIN.
3	INSULATOR	1	HEAT RESISTING PLASTIC	—	COLOR : BLACK
2	MID PLATE	1	STAINLESS STEEL	—	—
1	CONTACT	16	COPPER ALLOY	CONTACT AREA: GOLD OVER NICKEL SOLDER TAILS: GOLD FLASH OVER NICKEL	CONTACT AREA NICKEL : 1.0 μm MIN. GOLD : 0.1 μm MIN.

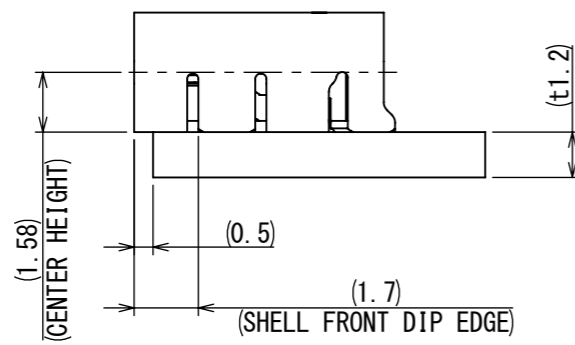
仕様書 (SPECIFICATION) JACS-30413 JABL-30413 JACS-30502 (for automotive)		第1版 (ORIGINAL DATE) 05/DEC/2019	尺度 (SCALE) 5:1	シリーズ (SERIES) DX07	日本航空電子工業株式会社 JAPAN AVIATION ELECTRONICS INDUSTRY, LTD.
一般公差 (GENERAL TOLERANCE) 寸法 (DIMENSION)		製図 DR.	名称 (TITLE) DX07S016JA1		図面番号 (DRAWING NO.) SJ121836
角度 (ANGLES)		担当 CHK. Y. SAITOU	質量 (MASS)		
単位 (UNIT) : mm		査閲 APPD.	シートの数 (SHEET NO.) 1 OF 2		版数 (VER.) 3

DCF-C-212J (20.07)

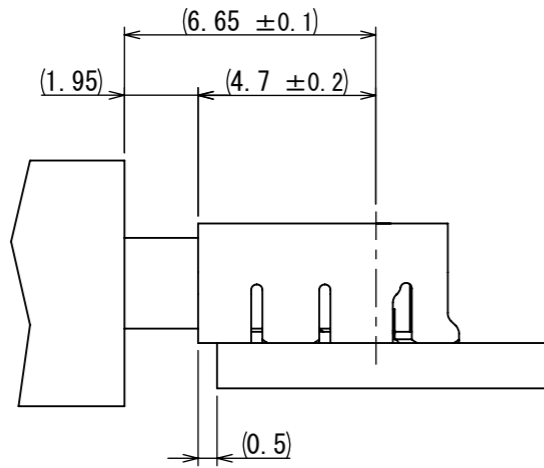


WISDOM承認 2024/03/18

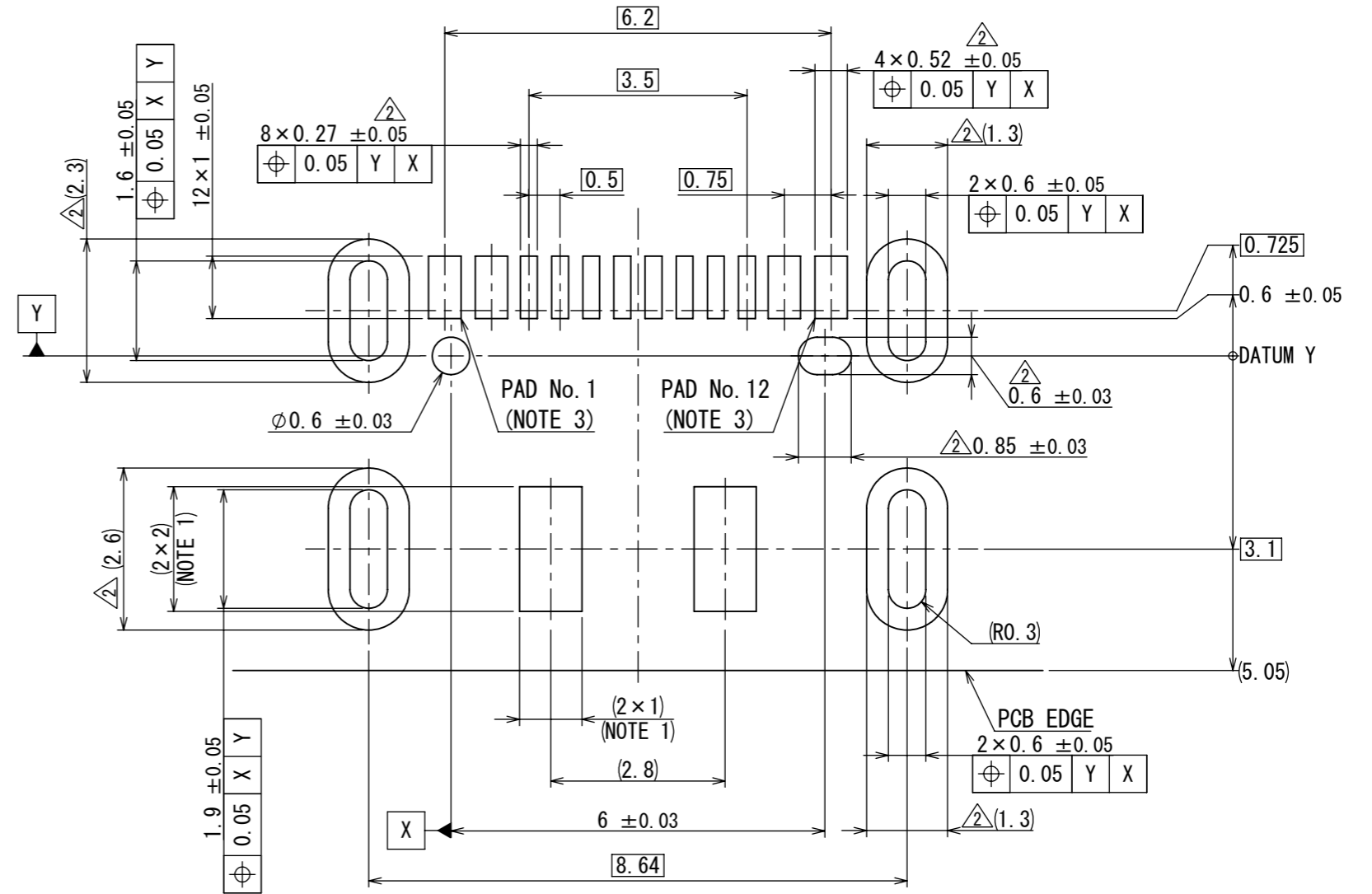
SJ121836  
 図面番号(DRAWING NO.)



MOUNTING CONDITION (REF.)



MATED CONDITION (REF.)



SURFACE VIEW FROM CONNECTOR MOUNTING SIDE  
 APPLICABLE P.C.B DIMENSION (REF.)  
 △ (10 : 1)

NOTE 1. RECOMMEND TO SOLDER THE SHALL BOTTOM SURFACE TO PAD OF PCB TO SECURE MECHANICAL STRENGTH.  
 NOTE 2. PIN ASSIGNMENT (FRONT VIEW)

△	Pin No.	A1	A2	A3	A4	A5	A6	A7	A8	A9	A10	A11	A12
	SIGNAL NAME	GND	—	—	V <sub>BUS</sub>	CC1	D+	D-	SBU1	V <sub>BUS</sub>	—	—	GND
	SIGNAL NAME	GND	—	—	V <sub>BUS</sub>	SBU2	D-	D+	CC2	V <sub>BUS</sub>	—	—	GND
	Pin No.	B12	B11	B10	B9	B8	B7	B6	B5	B4	B3	B2	B1

NOTE3. PIN ASSIGNMENT (P.C.B PADS)

△	Pad No.	1	2	3	4	5	6	7	8	9	10	11	12
	Pin No.	A1/B12	A4/B9	A5	B8	B7	A6	B6	A7	B5	A8	B4/A9	A12/B1
	SIGNAL NAME	GND	V <sub>BUS</sub>	CC1	SBU2	D-	D+	D+	D-	CC2	SBU1	V <sub>BUS</sub>	GND

仕様書(SPECIFICATION) JACS-30413 J AHL-30413 JACS-30502(for automotive)		第1版(ORIGINAL DATE) 05/DEC/2019	尺度(SCALE) 5:1	シリーズ(SERIES) DX07	日本航空電子工業株式会社 JAPAN AVIATION ELECTRONICS INDUSTRY, LTD.
一般公差(GENERAL TOLERANCE) 寸法(DIMENSION)		製図 DR. 担当 CHK. 査閲 APPD. 承認 APPD.	名称(TITLE) DX07S016JA1		
角度(ANGLES) 単位(UNIT) : mm		Y. SAITOU		質量(MASS)	
シートの(SHEET NO.)		2 OF 2			
図面番号(DRAWING NO.) SJ121836					版数(VER.) 3

