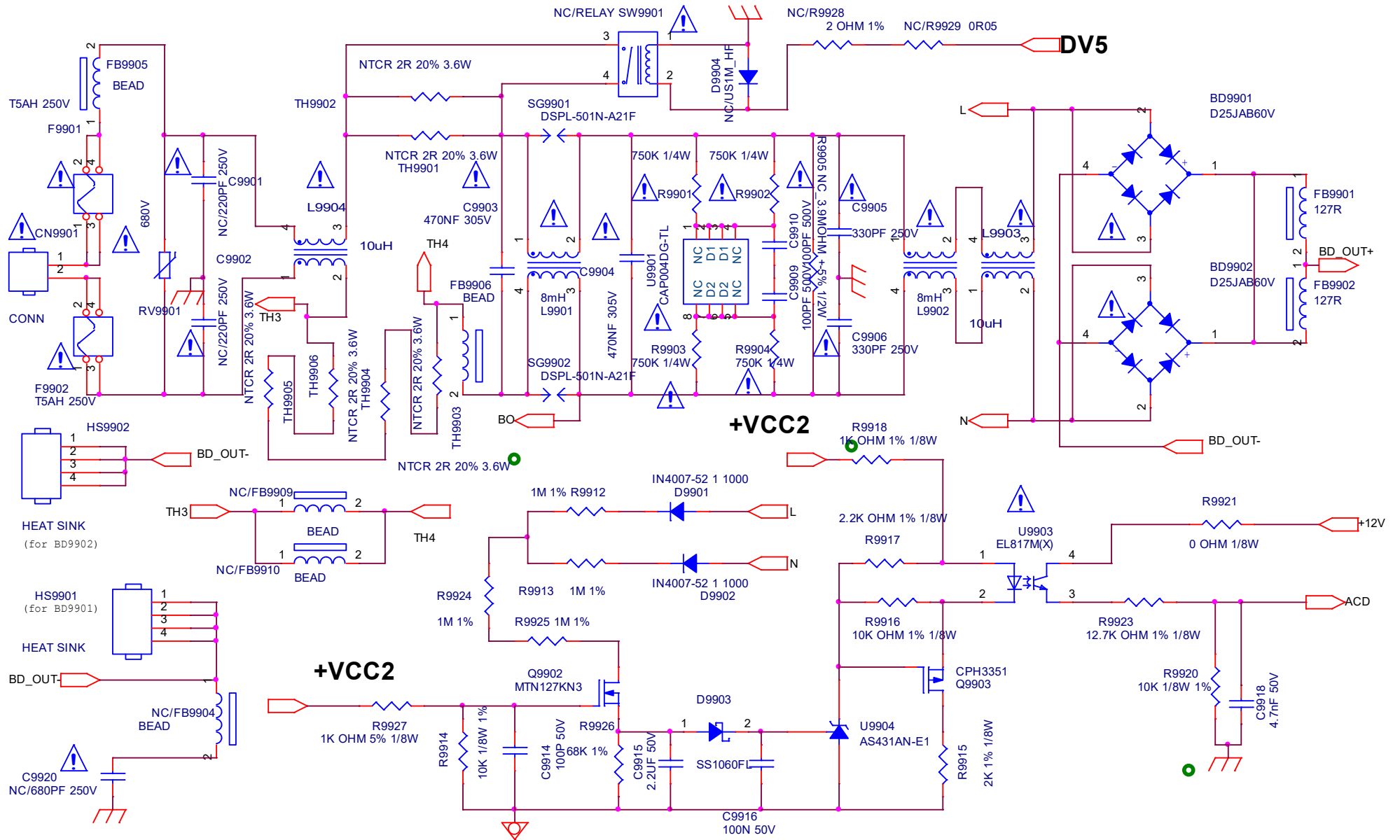
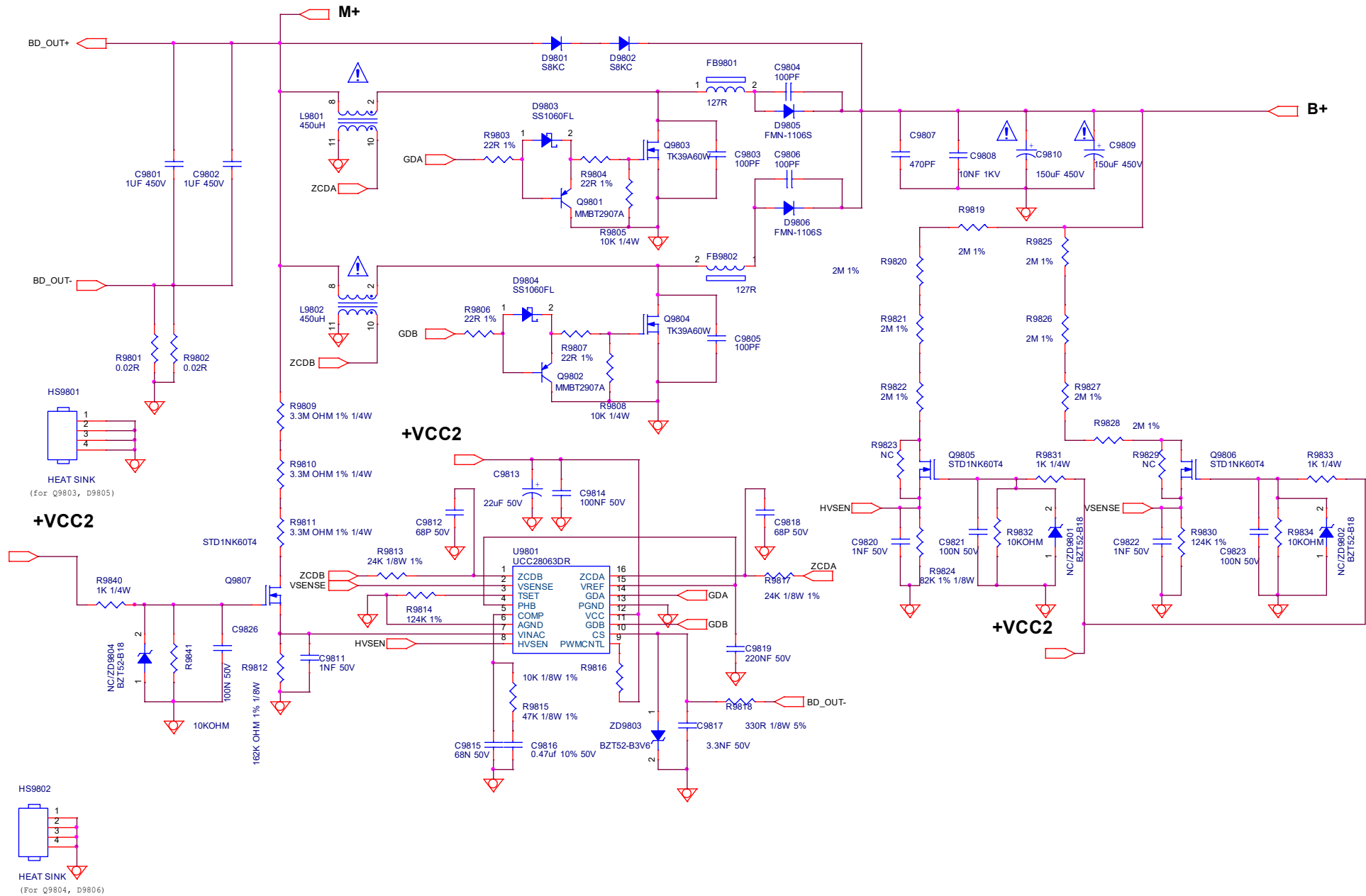


9.2 A 715G8886 PSU (For 55/65" OLED873 Series)

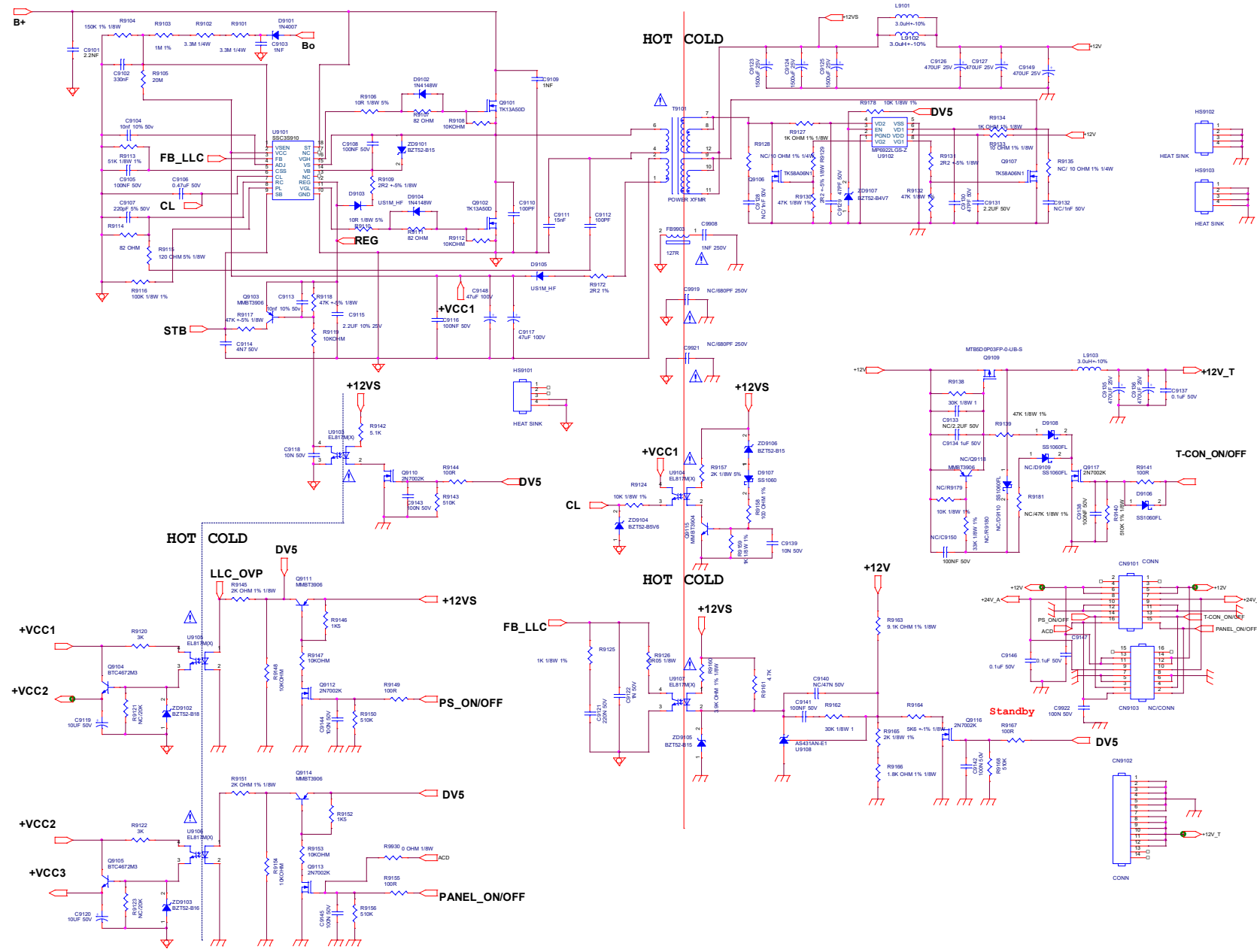
9-2-1 Input stage



9-2-2 PFC stage



9-2-3 12V power stage



9-2-4 24V power stage

