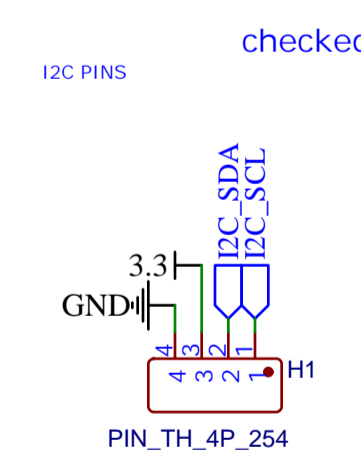
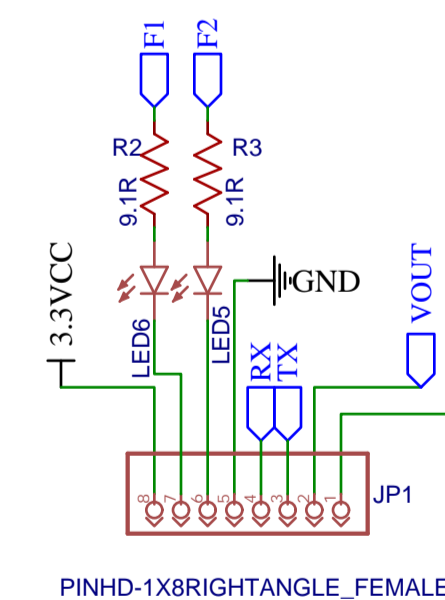
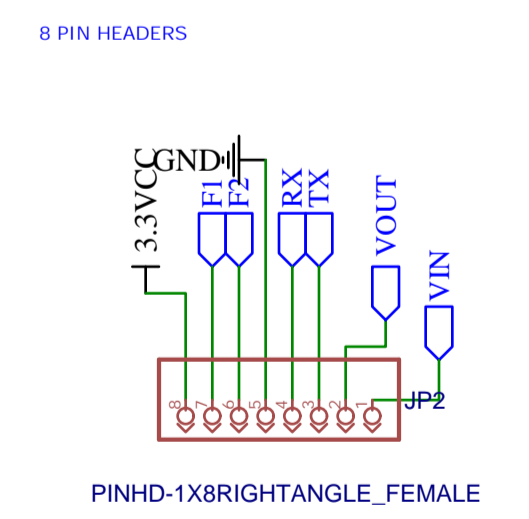
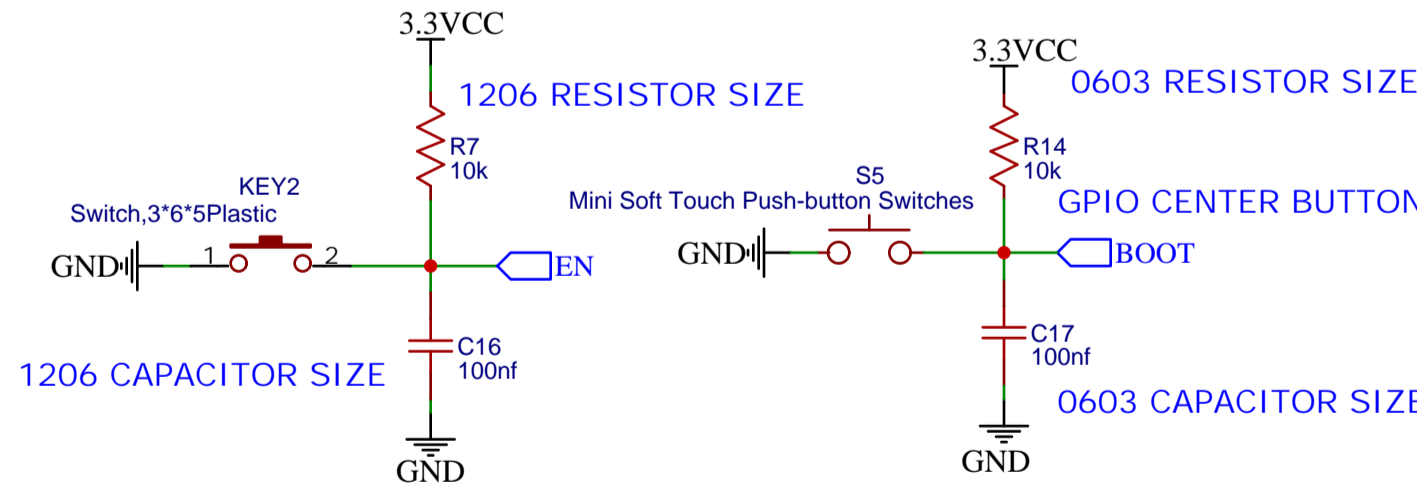


CHECK 1206 SIZE SMD FOR TOP PART

ESP32 S3 PROGRAMING BUTTON



CHANGES FROM Y1  
SWITCH POWER BUTTON AND EN BUTTON  
RESISTOR AND CAPACITOR SIZE  
ADD ADDRESSABLE LED

TITLE:	Sheet_1 BRUCE_X	REV: 2.0
Company:	SMOOCHE LAB	Sheet: 1/1
Date:	2024-10-23	Drawn By: SMOOCHE

