

Service
Service
Service



Radio en televisieservice
„KEES van de MORTEL”
Boksheuvelstraat 14
5222 AN 's-HERTOGENBOSCH
Tel.: 073 - 218344

Domestic Appliances and Personal Care

Service Manual

PRODUCT INFORMATION

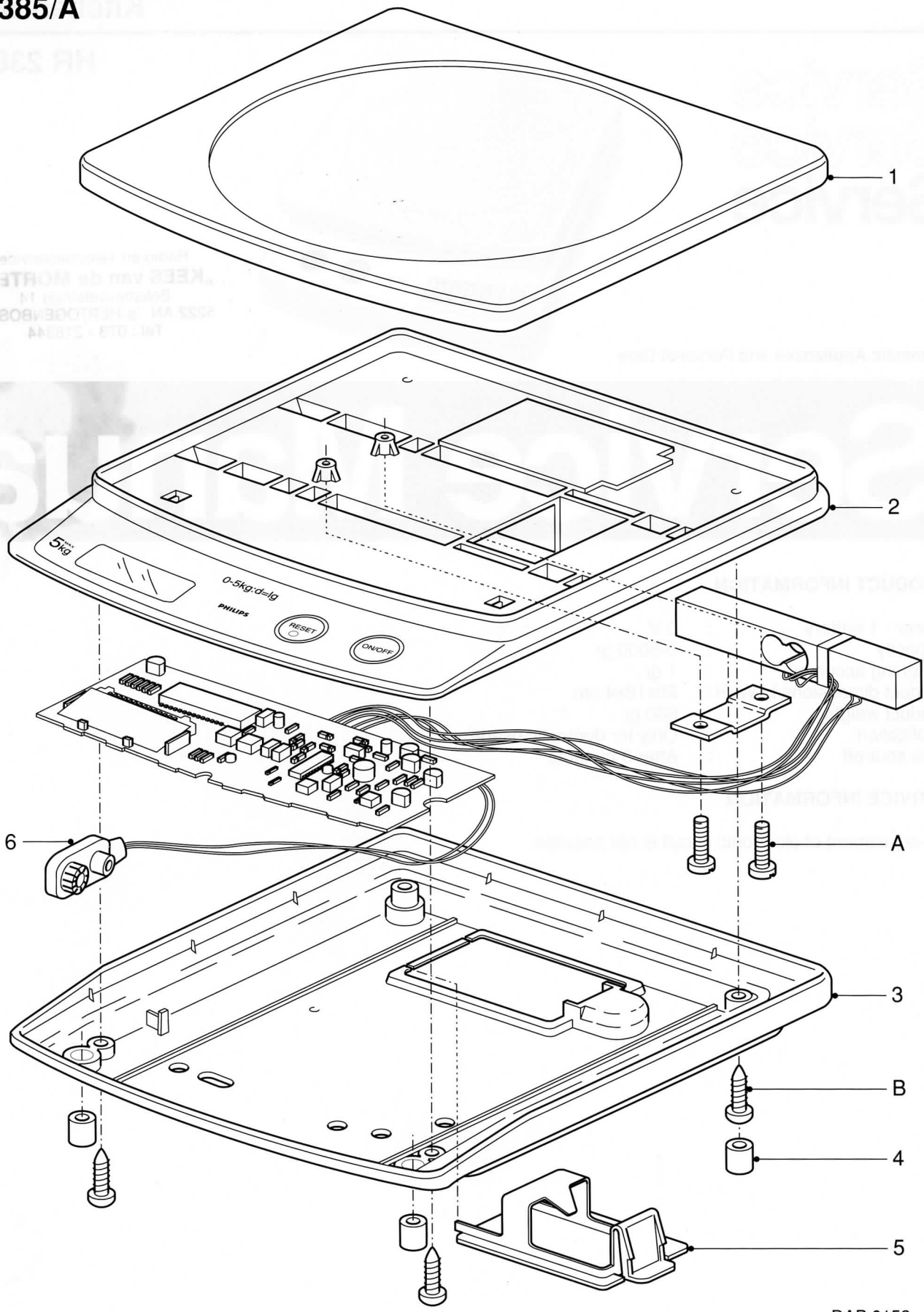
Power - 1 battery	:	9 V
Capacity	:	0-5000 gr
Weighing accuracy	:	1 gr
Product dimensions LxWxH:	:	20x18x4 cm
Product weight	:	600 gr
Application	:	Only for domestic usage
Auto shut-off	:	After 3 minutes

SERVICE INFORMATION

Re-adjustment of electronic circuit is not possible.



HR 2385/A



DAP 0152

- 1 4822 441 81145 weighing plate
- 2 4822 441 81144 upper housing
- 3 4822 441 81146 lower housing
- 4 4822 462 40374 stud (standard high)
- 5 4822 441 81143 battery cover
- 6 4822 290 80346 battery connector