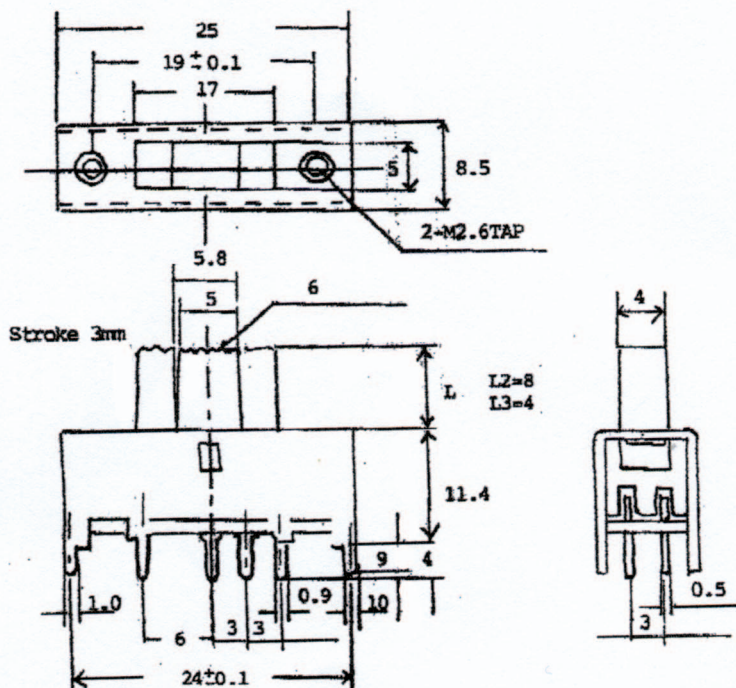


P/N SP-112-DP3T



Specifications

1. Rating : 30VDC 0.3A
2. Initial Contact : Max.20mΩ @DC5V1A Resistance
3. Insulation Resistance: Min.200MΩ @500VDC
4. Dielectric Strength : 500VAC 1 min.
5. Operating Force : 250±100g

| | | | | |
|-----|-------------|----------|-------|------------|
| 8 | Moving Clip | BeCuP | | AgP |
| 7 | Terminal A | BeP | t=0.5 | AgP |
| 6 | Terminal B | BeP | t=0.5 | AgP |
| 5 | Base | PEM | t=1.2 | Sealed# |
| 4 | Ball | Steel | | |
| 3 | Spring | SWP | | Oil Temper |
| 2 | Knob | ABS | | Black |
| 1 | Frame | SPCC | t=0.6 | SnPB |
| No. | P/Name | Material | Spec. | Treatment |