

©Alexander Schrode

LCD

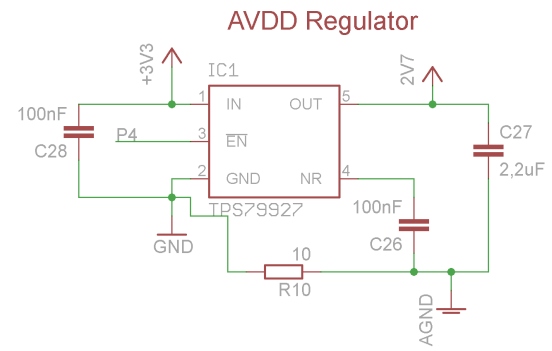
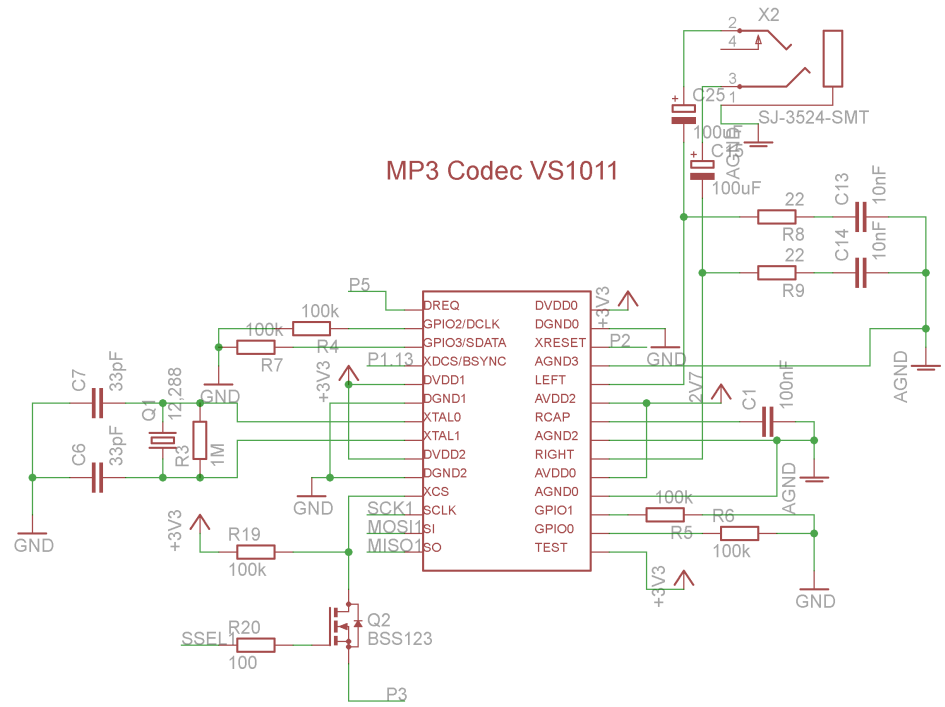
TITLE: **LPC2478 Addon**

Document Number:

REV:
1.0

Date: 28.01.2010 19:41:01

Sheet: **1/3**



MP3 Codec

TITLE: LPC2478 lcd

Document Number: 2

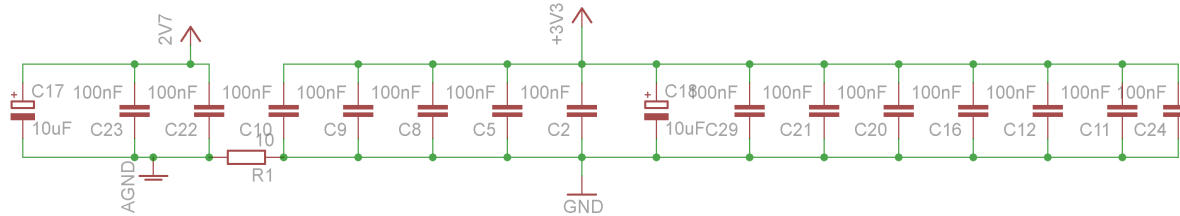
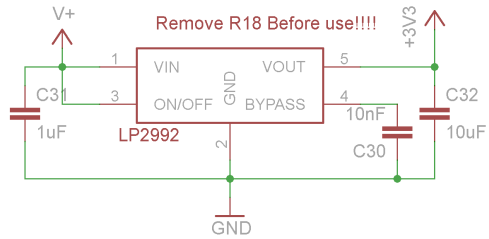
REV: 1.0

Date: 29.01.2010 12:51:06

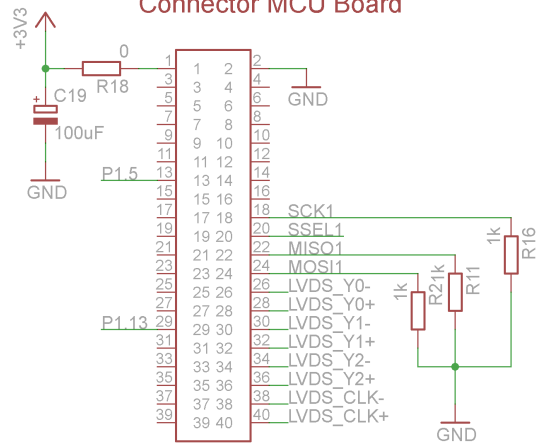
Sheet: 1/1

Backup Regulator

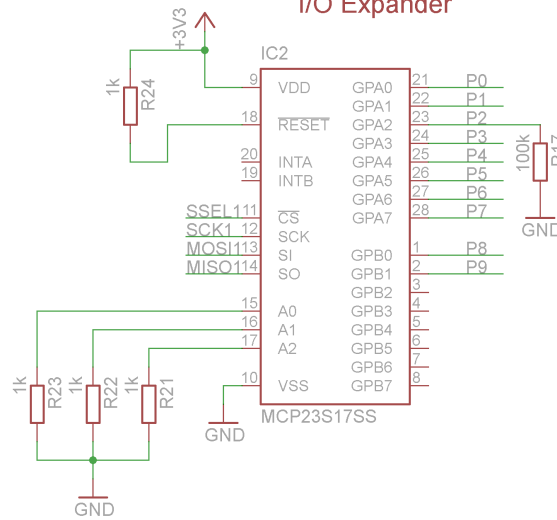
Remove R18 Before use!!!!



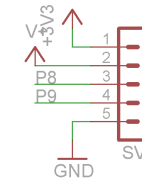
Connector MCU Board



I/O Expander



Extension Connector



Miscellaneous

TITLE: LPC2478 lcd

Document Number: **3**

REV:
1.0

Date: 29.01.2010 12:51:06

Sheet: 1/1