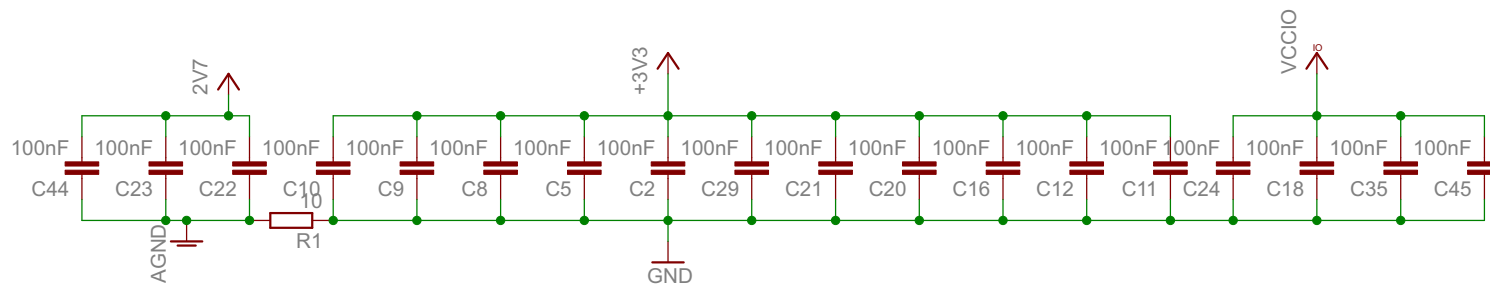
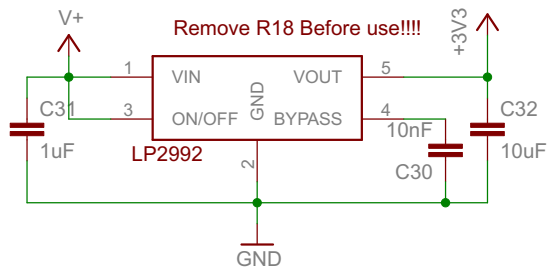
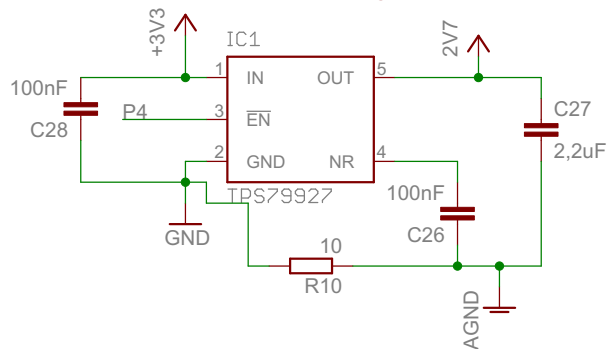


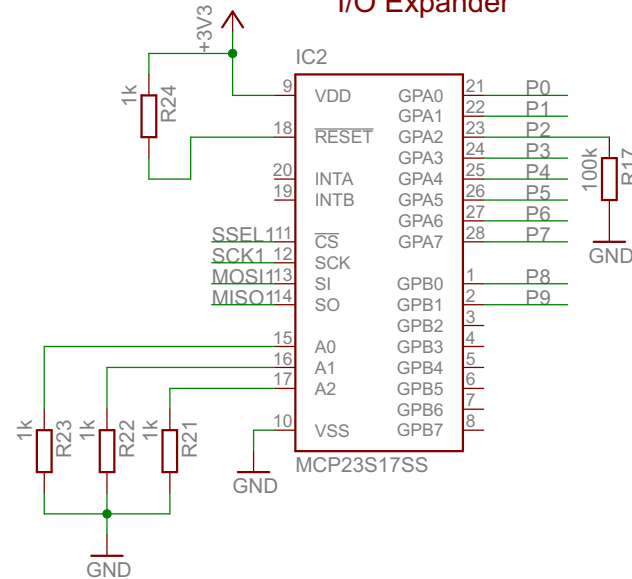
Backup Regulator



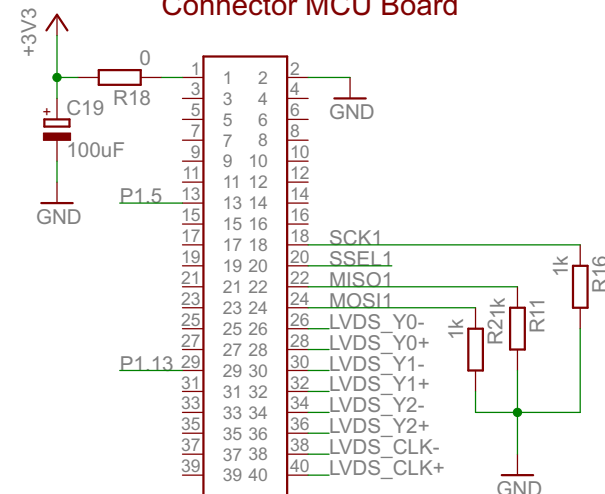
AVDD Regulator



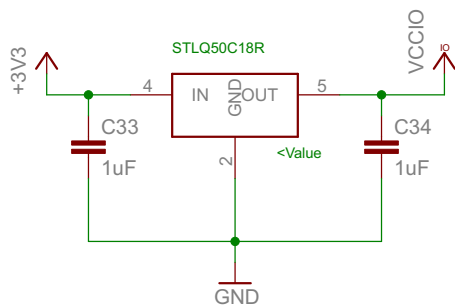
I/O Expander



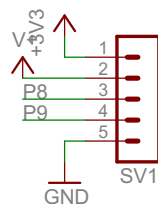
Connector MCU Board



CVDD Regulator



Extension Connector



Miscellaneous

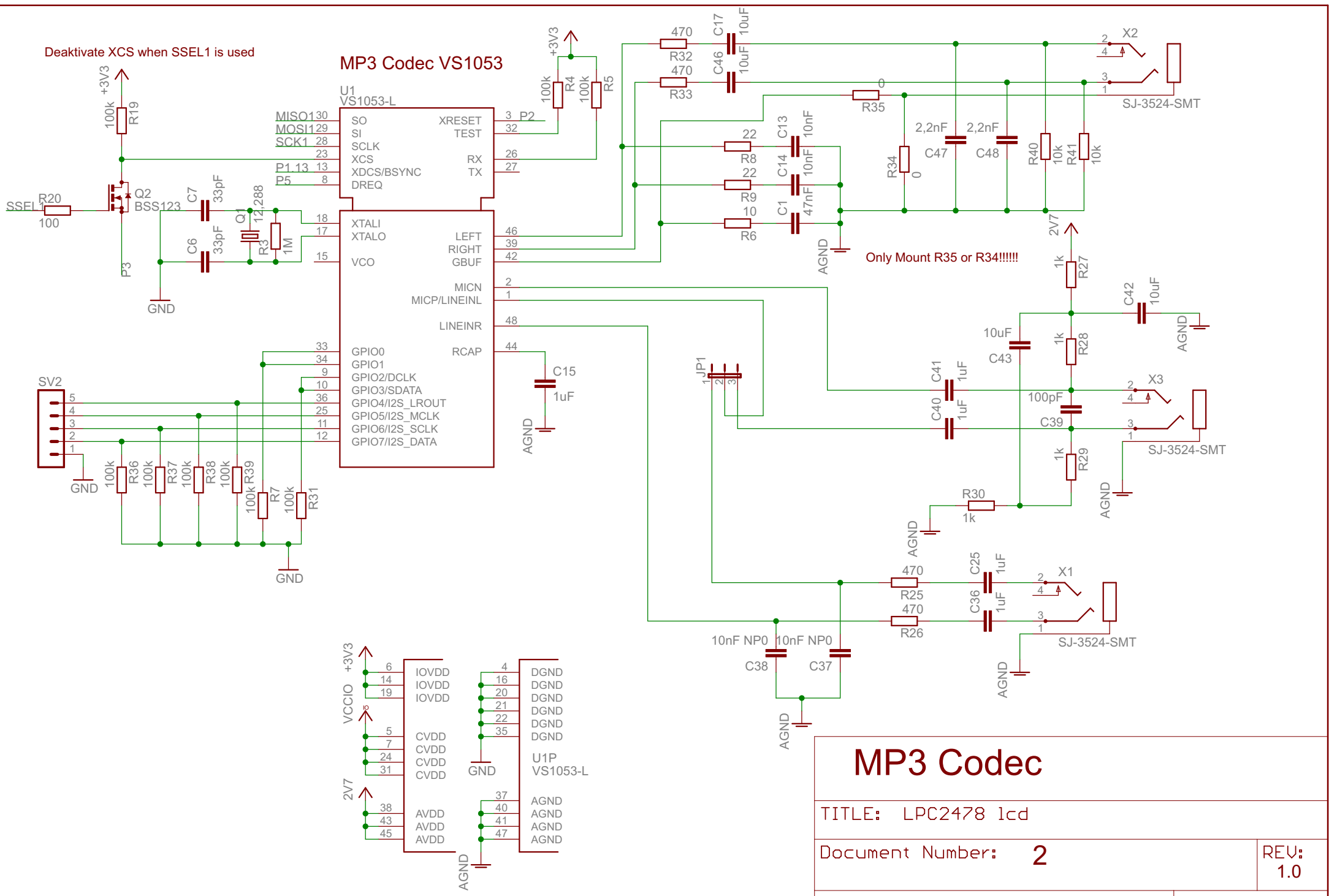
TITLE: LPC2478 lcd

Document Number: 3

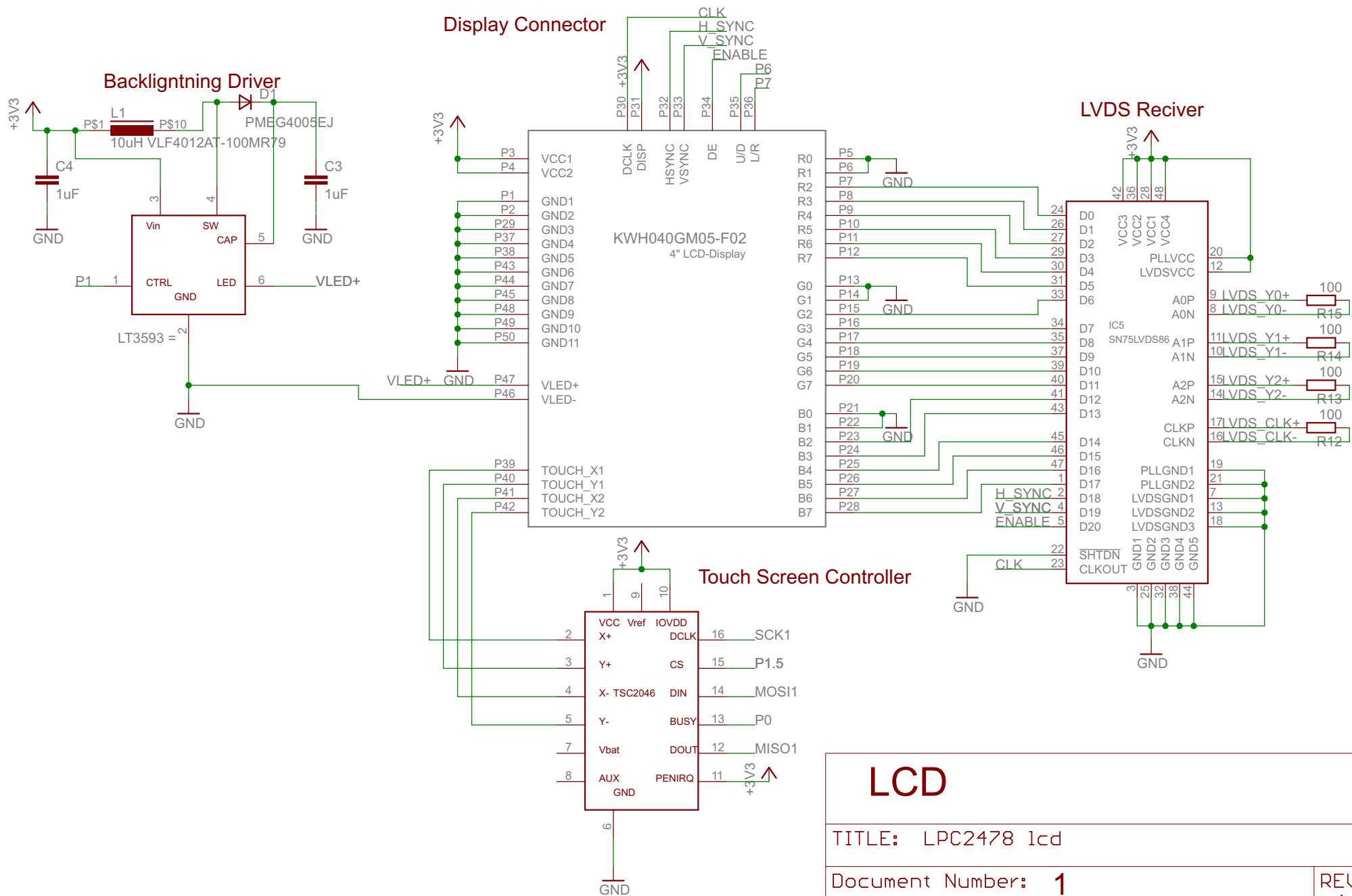
REV: 1.0

Date: 31.01.2010 23:37:09

Sheet: 1/1



<h1>MP3 Codec</h1>	
TITLE: LPC2478 lcd	
Document Number: 2	REV: 1.0
Date: 31.01.2010 23:37:09	Sheet: 1/1



LCD

TITLE: LPC2478 lcd

Document Number: **1**

REV:
1.0

Date: 31.01.2010 23:37:09

Sheet: 1/1