

LED Driver

File: driver.kicad_sch

LEDs

File: LEDs.kicad_sch

Sheet: /
File: 4-Gewinnt-Schaltung.kicad_sch

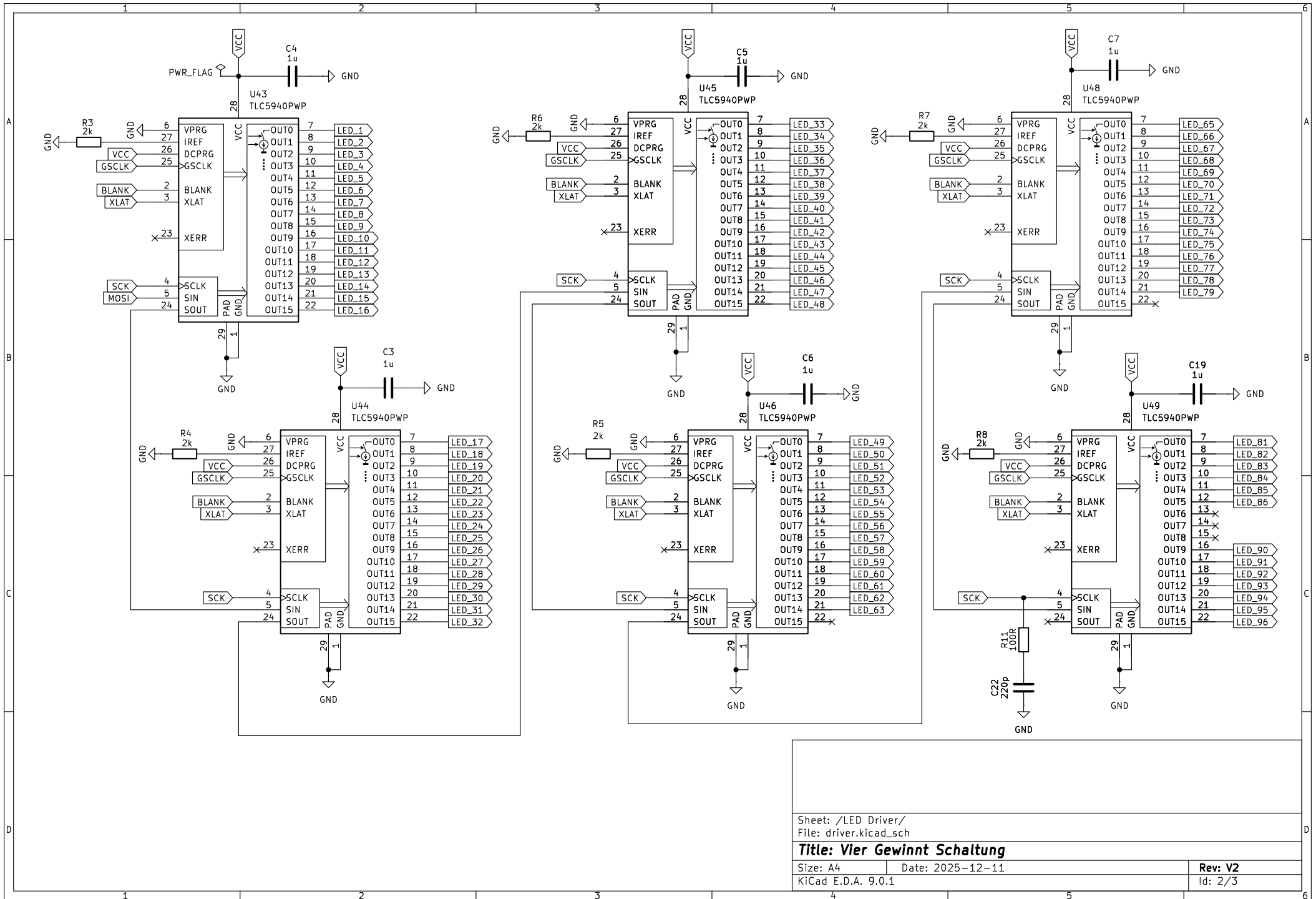
Title: Vier Gewinn Schaltung

Size: A4 Date: 2026-03-30

KiCad E.D.A. 9.0.1

Rev: V2

Id: 1/3



Sheet: /LED Driver/
 File: driver.kicad_sch

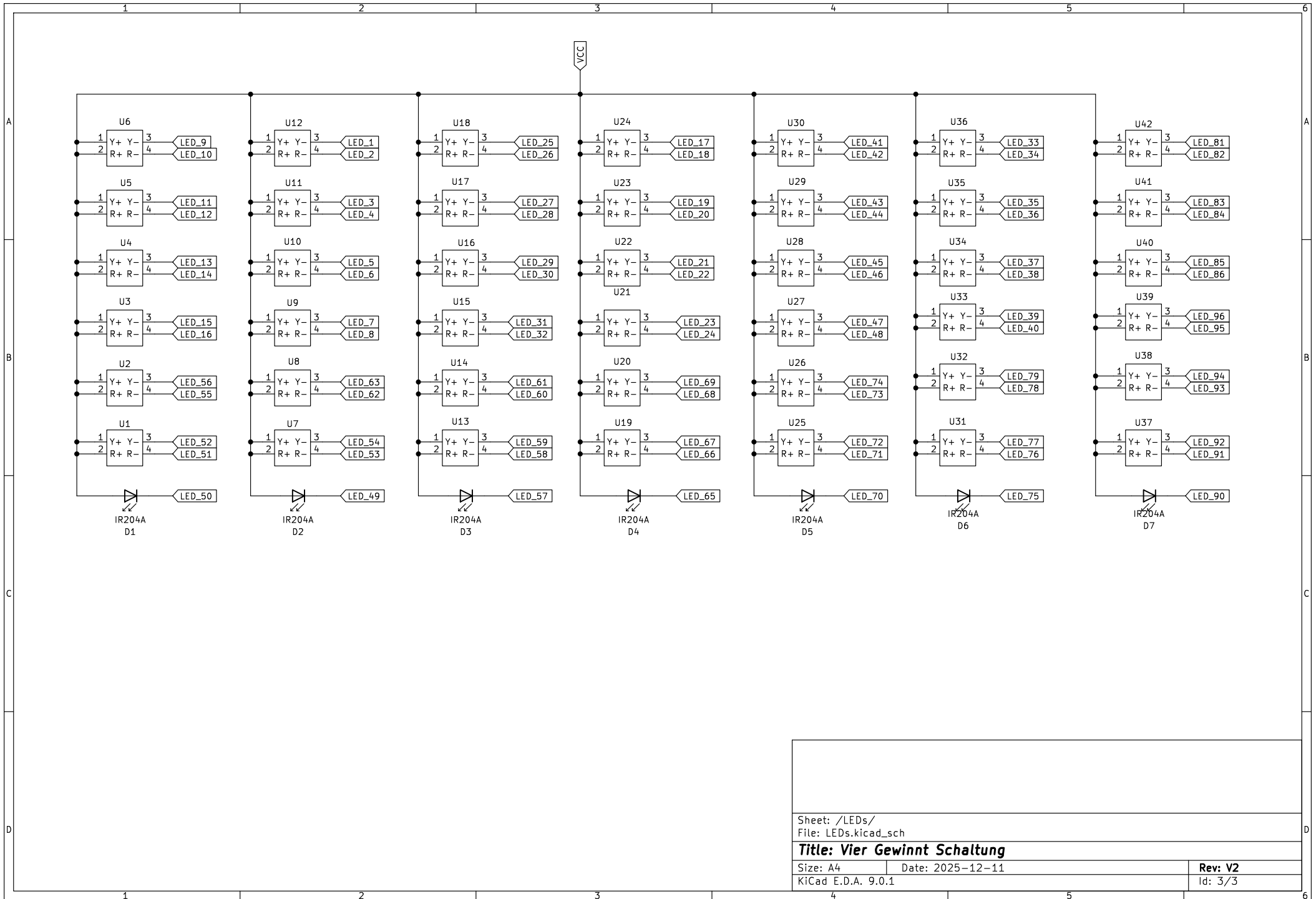
Title: Vier Gewinn Schaltung

Size: A4 Date: 2025-12-11

KiCad E.D.A. 9.0.1

Rev: V2

Id: 2/3



Sheet: /LEDs/			
File: LEDs.kicad_sch			
Title: Vier Gewinn Schaltung			
Size: A4	Date: 2025-12-11	Rev: V2	
KiCad E.D.A. 9.0.1			Id: 3/3