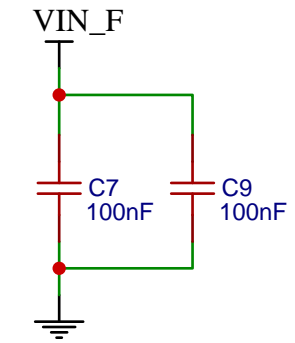
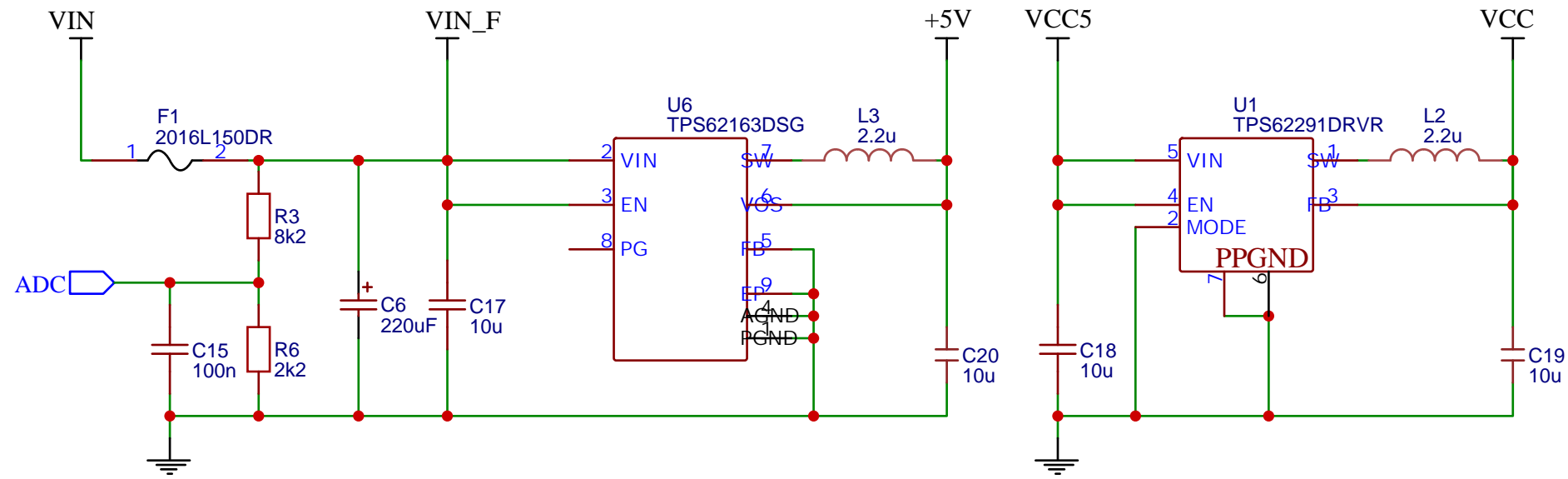
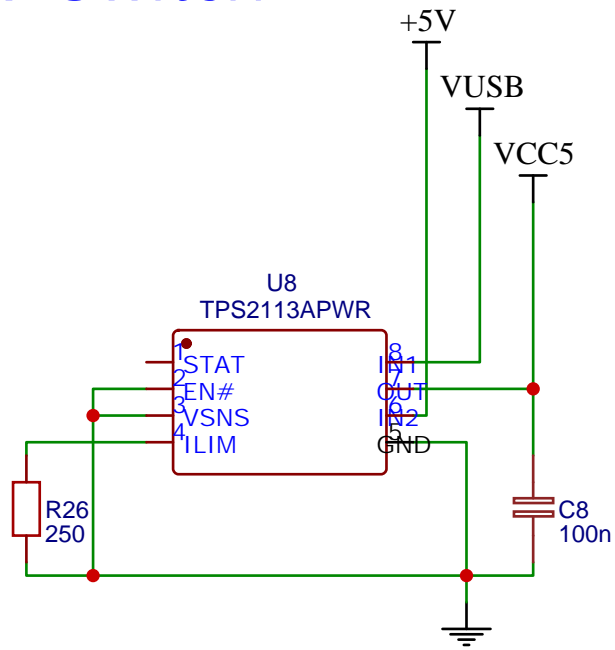


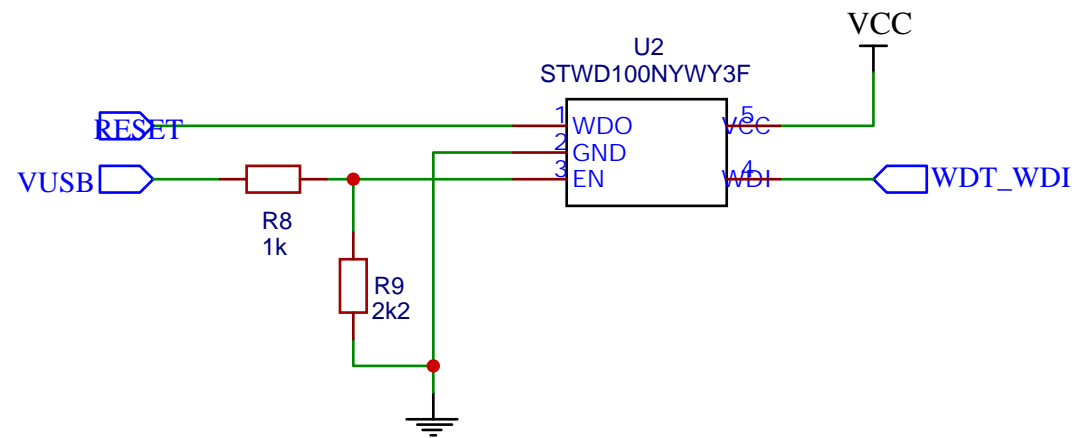
5V/3.3V Supply



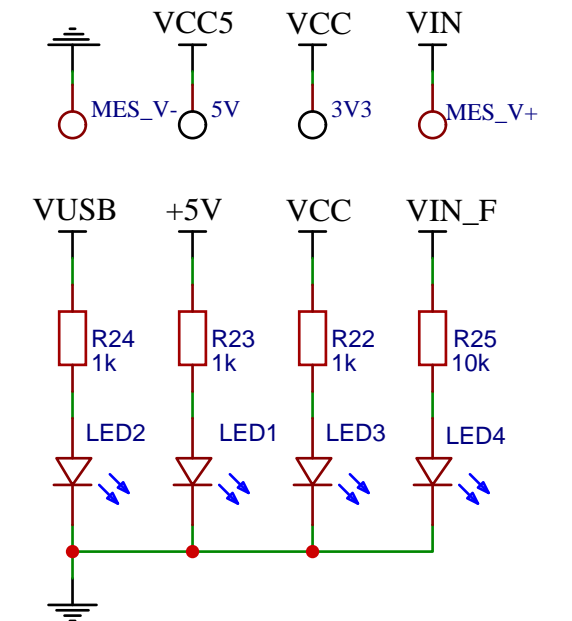
5V Switch



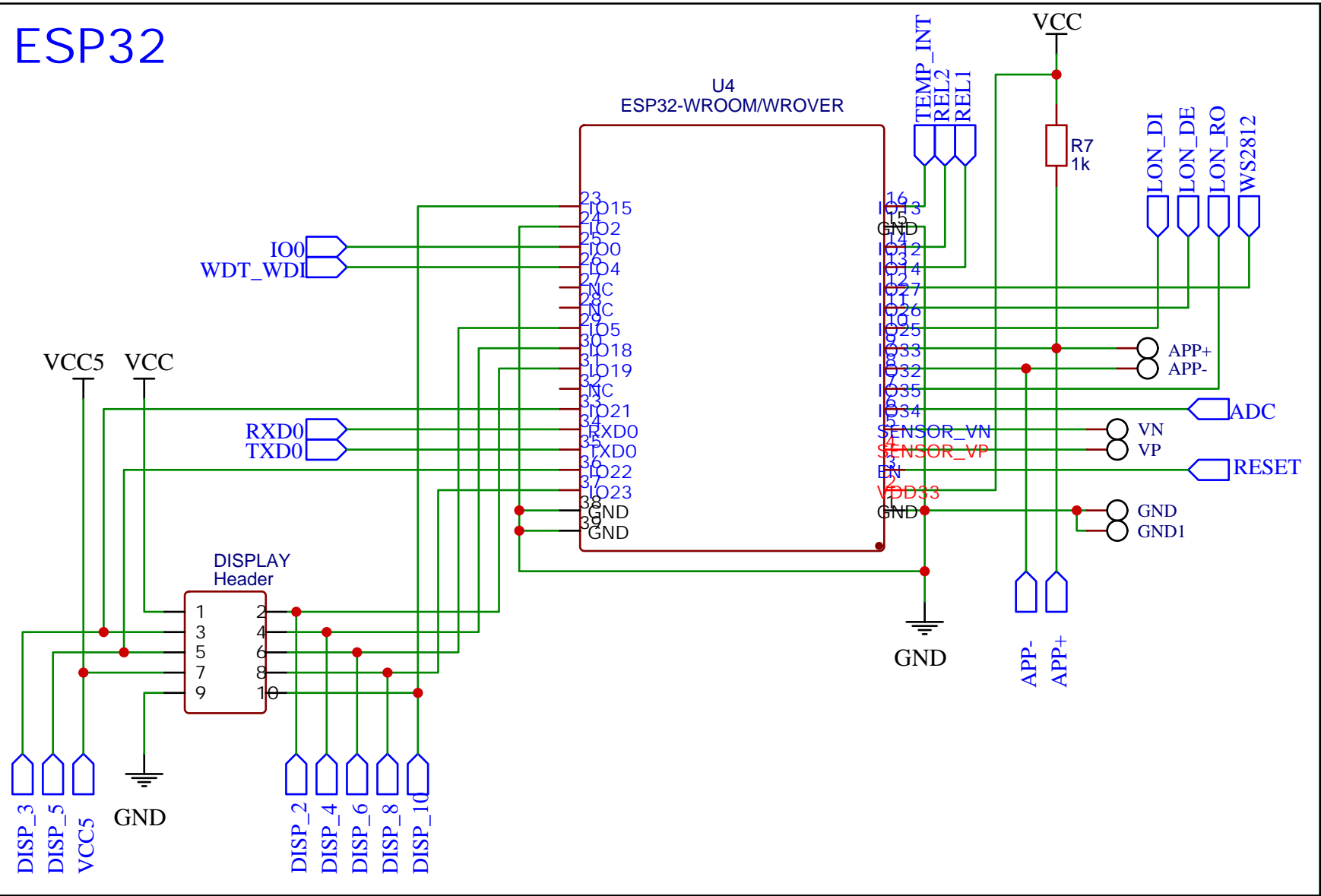
Watchdog



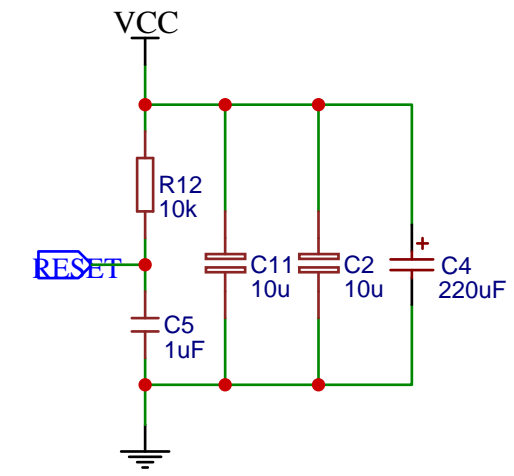
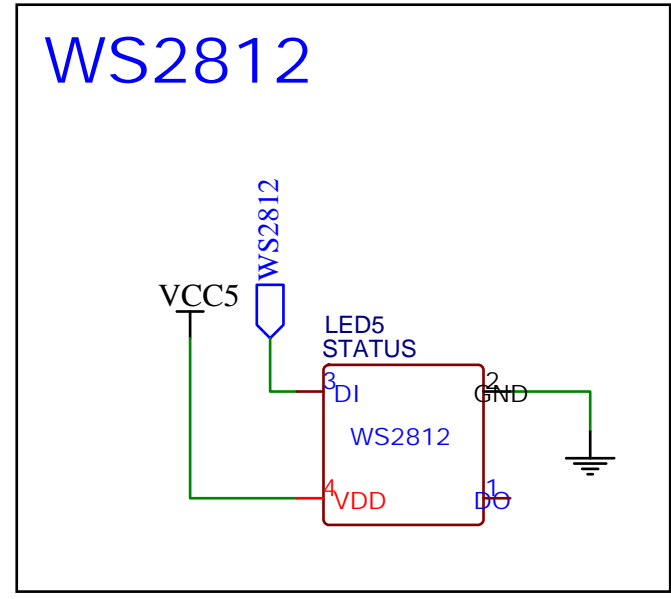
LEDs / Connector



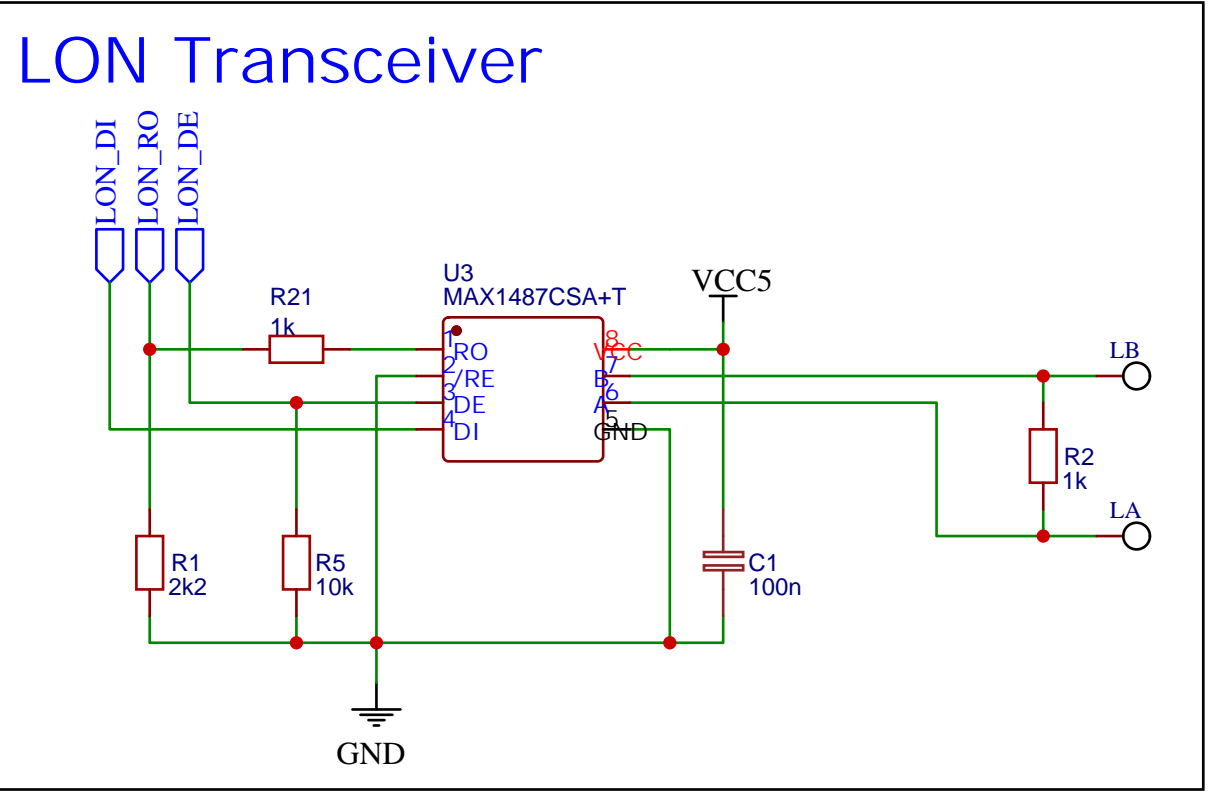
ESP32



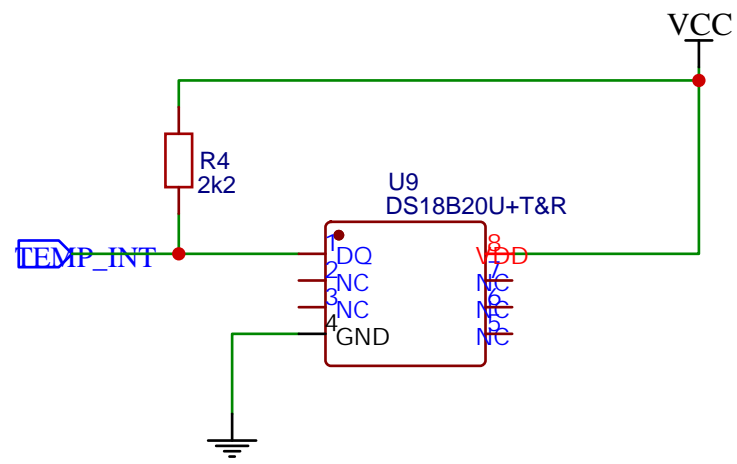
WS2812



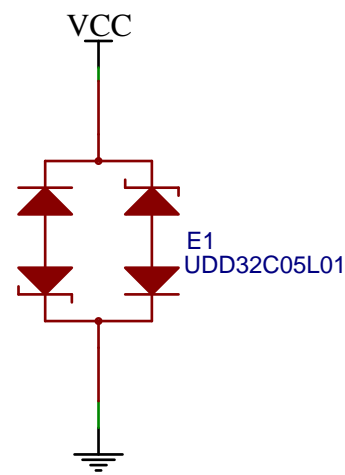
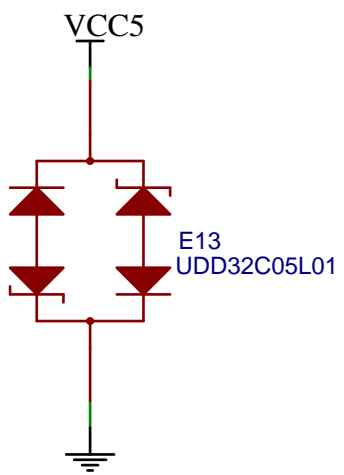
LON Transceiver



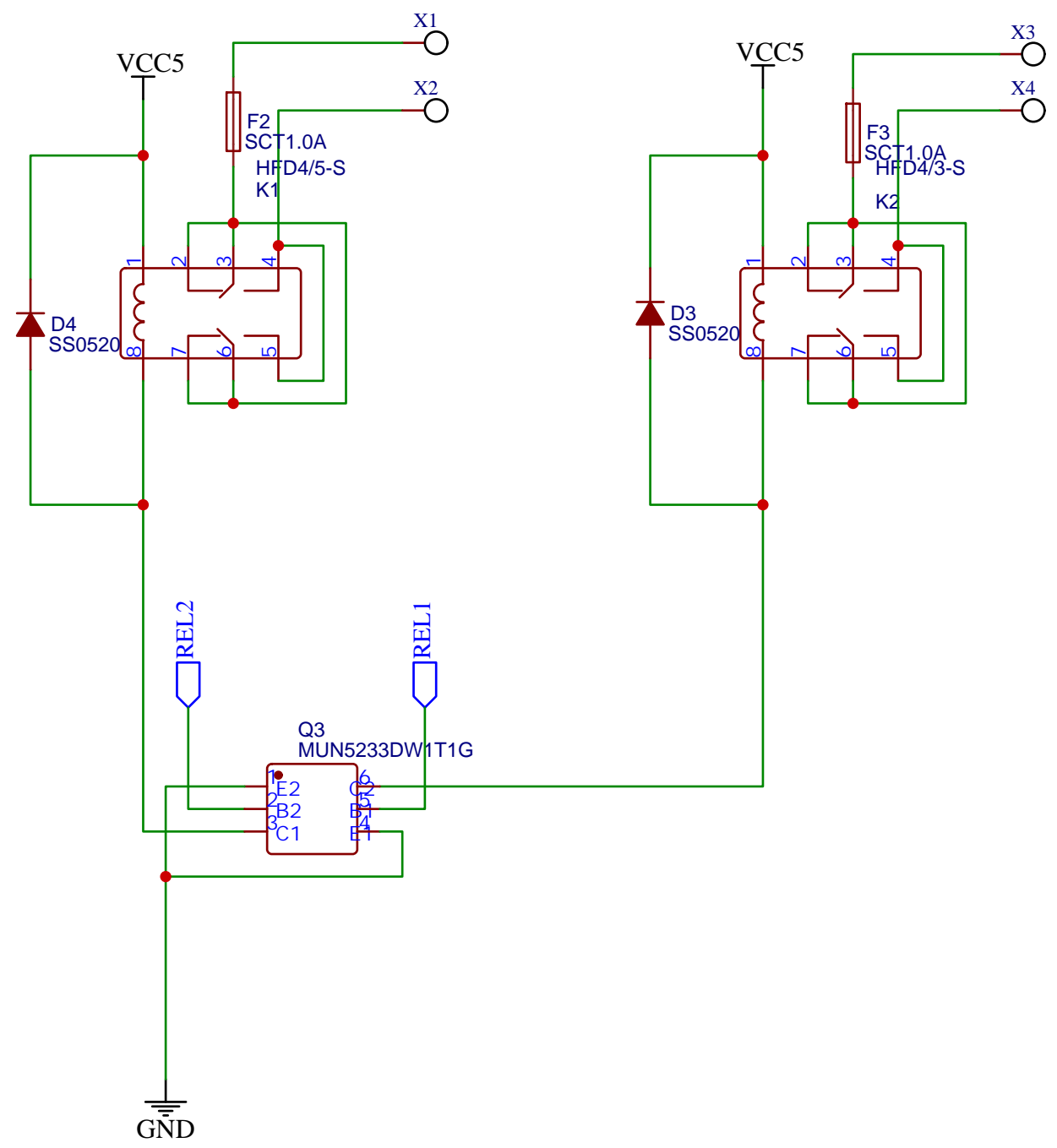
TITLE: Windhager LON WiFi Gateway		REV: 1.1
EasyEDA	Company: Your Company	Sheet: 1/1
	Date: 2019-05-14	Drawn By: g3gg0.de




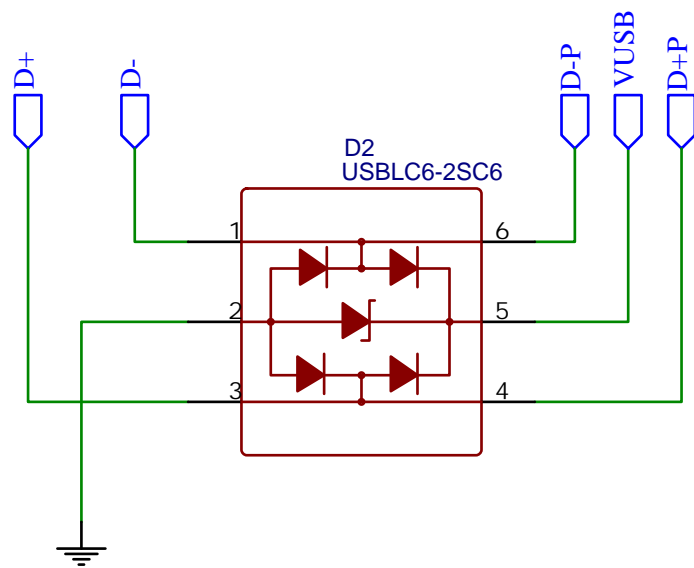
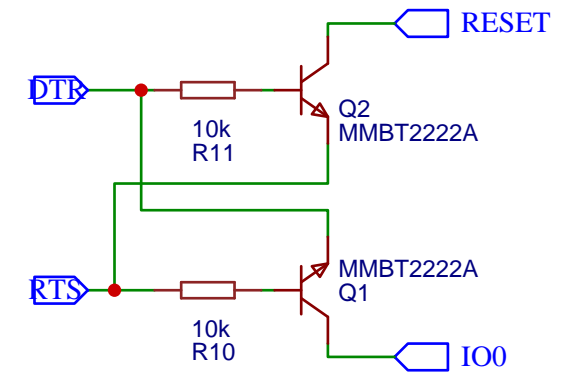
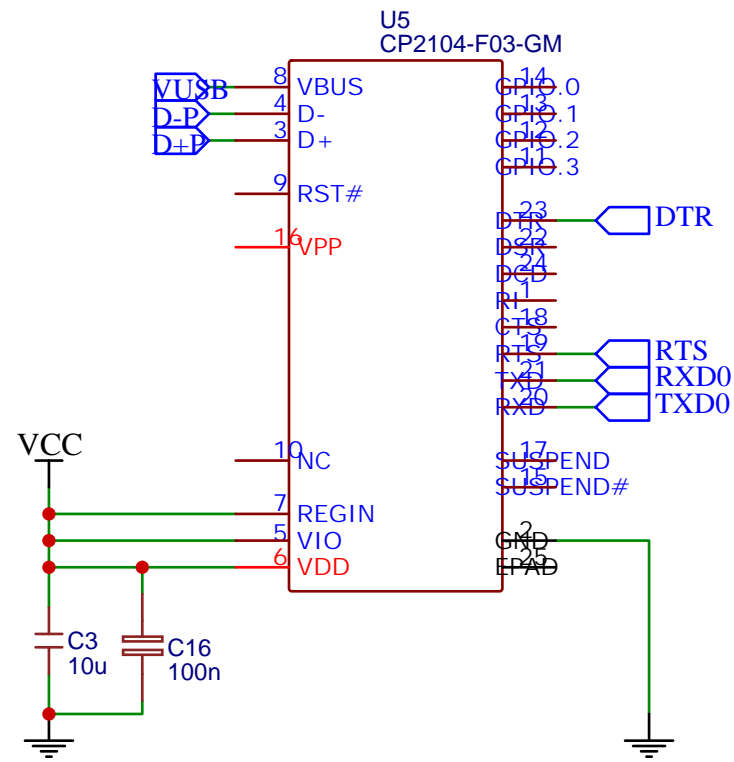
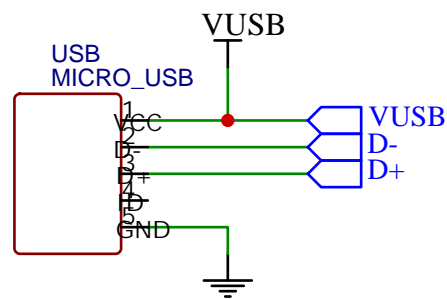
TITLE: Sheet_1		REV: 1.0
	Company: Your Company	Sheet: 1/1
	Date: 2019-08-04 Drawn By: g3gg0.de	



TITLE: Sheet_1		REV: 1.0
 EasyEDA	Company: Your Company	Sheet: 1/1
	Date: 2019-08-13	Drawn By: g3gg0.de



TITLE: Sheet_1		REV: 1.0
	Company: Your Company	Sheet: 1/1
	Date: 2019-08-29 Drawn By: g3gg0.de	



TITLE: Sheet_1		REV: 1.0
EasyEDA	Company: Your Company	Sheet: 1/1
	Date: 2019-12-15	Drawn By: g3gg0.de