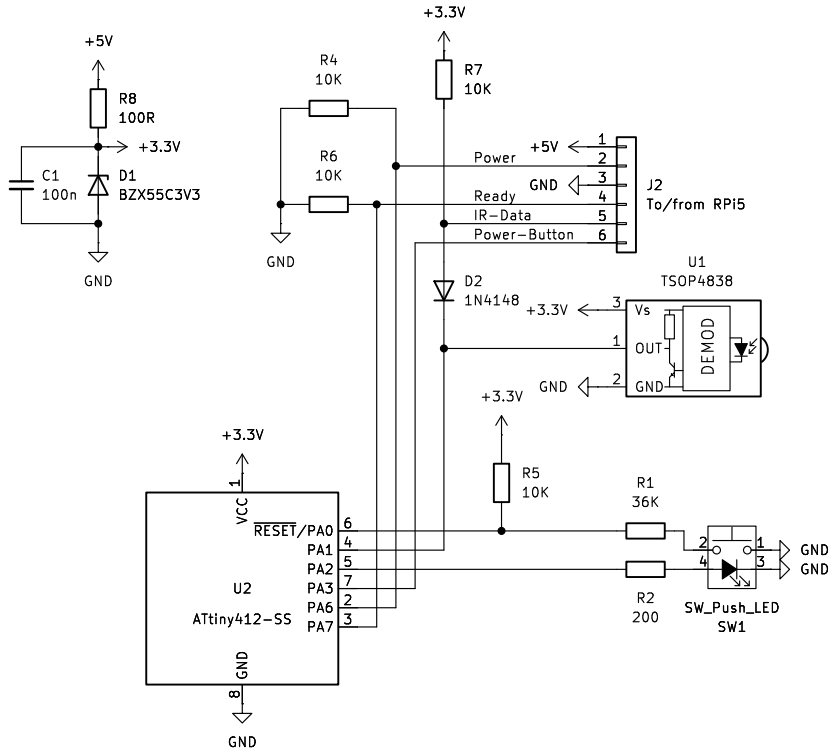


- 1 | +5V (Always has +5v)
- 2 | +3.3V (Low when RPi5 is powered off)
- 3 | GND
- 4 | GPIO Output (Set high by Python script)
- 5 | GPIO input (IR receiver)
- 6 | Power button (Pins next to RTC connector)



BL

Sheet: /
 File: RPi5_Advanced_Power_Button_v0.08.kicad_sch

Title: RPi5 Advanced Power Button

Size: A5 Date: 2026-02-02

Rev: 0.08

KiCad E.D.A. 9.0.1

Id: 1/1