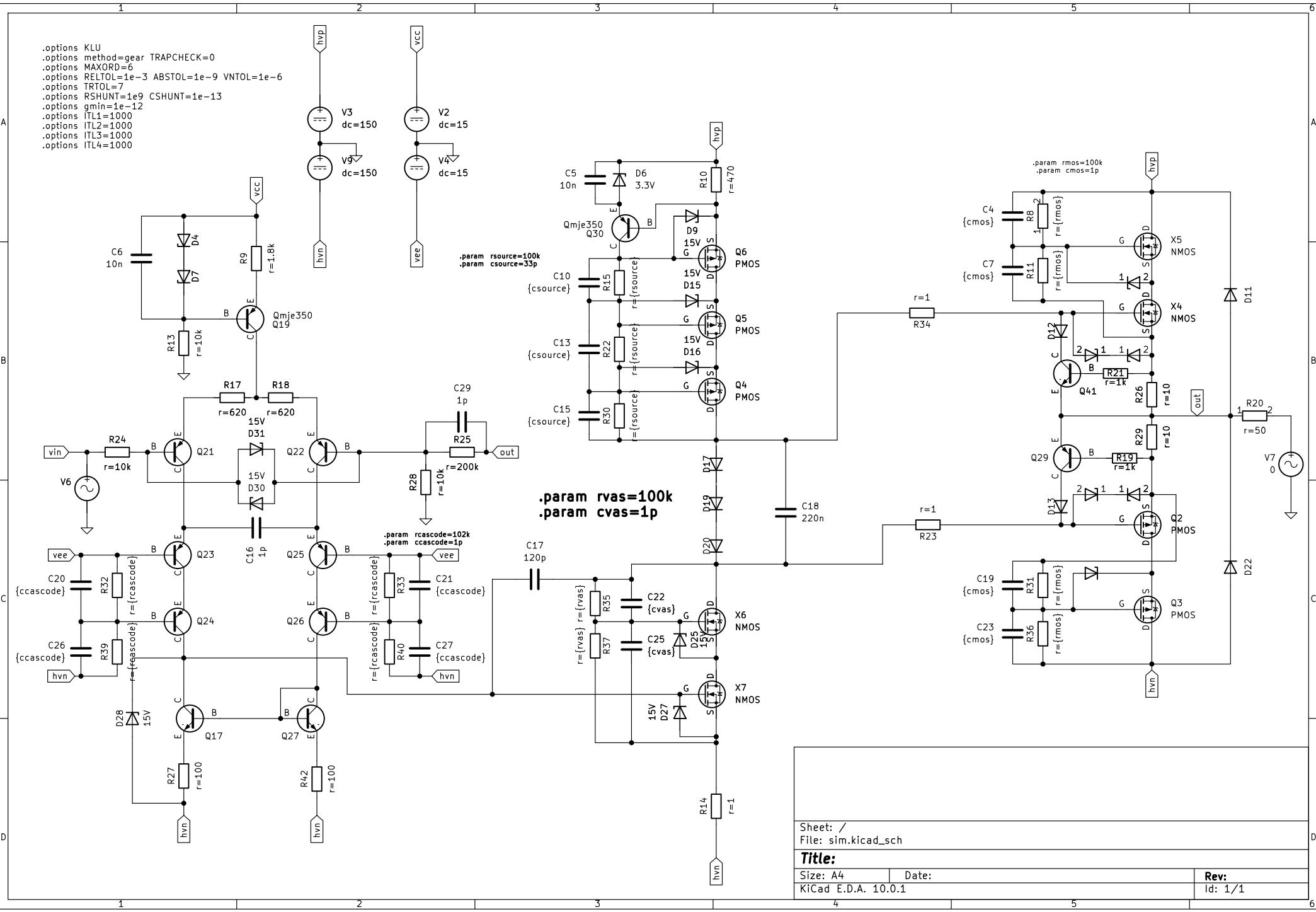


```

.options KLU
.options method=gear TRAPCHECK=0
.options MAXORD=6
.options RELTOL=1e-3 ABSTOL=1e-9 VNTOL=1e-6
.options TRTOL=7
.options RSHUNT=1e9 CSHUNT=1e-13
.options gmin=1e-12
.options ITL1=1000
.options ITL2=1000
.options ITL3=1000
.options ITL4=1000

```



```

.param rsource=100k
.param csource=33p

```

```

.param rvas=100k
.param cvas=1p

```

```

.param rcascode=102k
.param ccascode=1p

```

```

.param rmos=100k
.param cmos=1p

```

Sheet: /		Date:	
File: sim.kicad_sch		Rev:	
Size: A4	KiCad E.D.A. 10.0.1		Id: 1/1