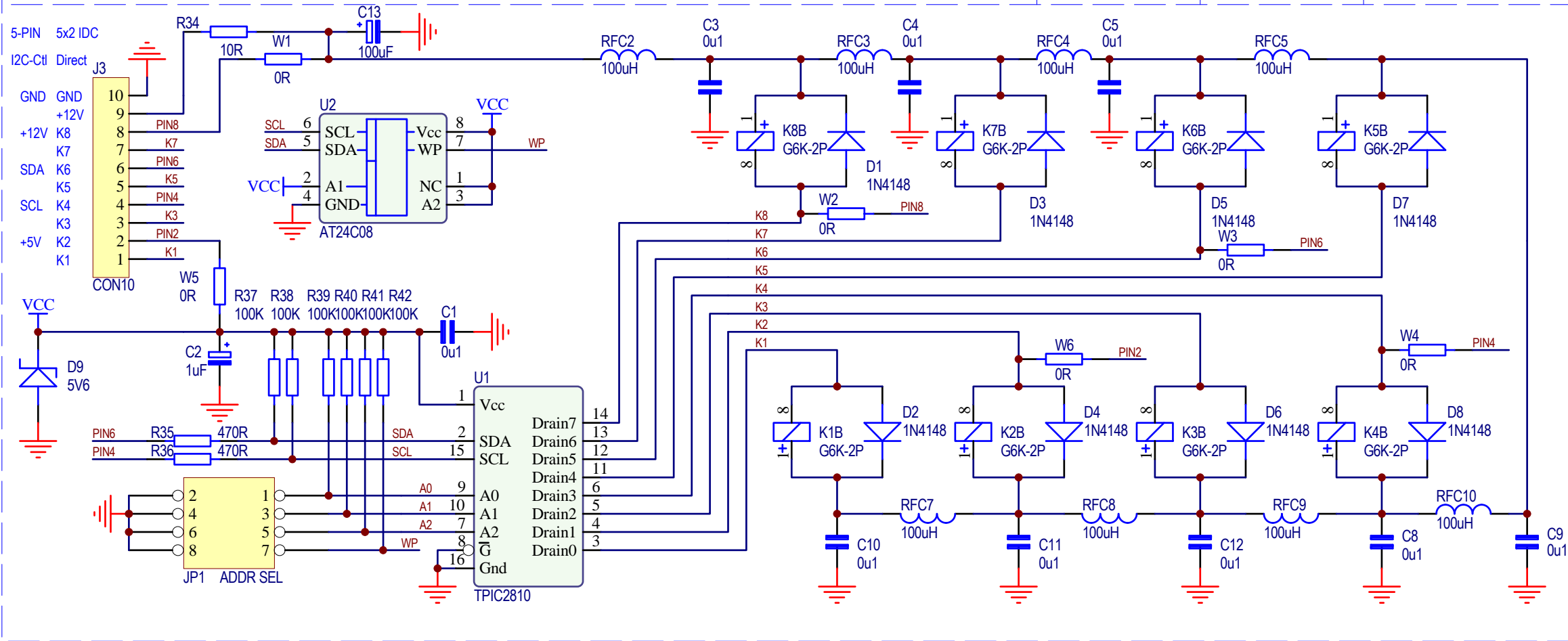
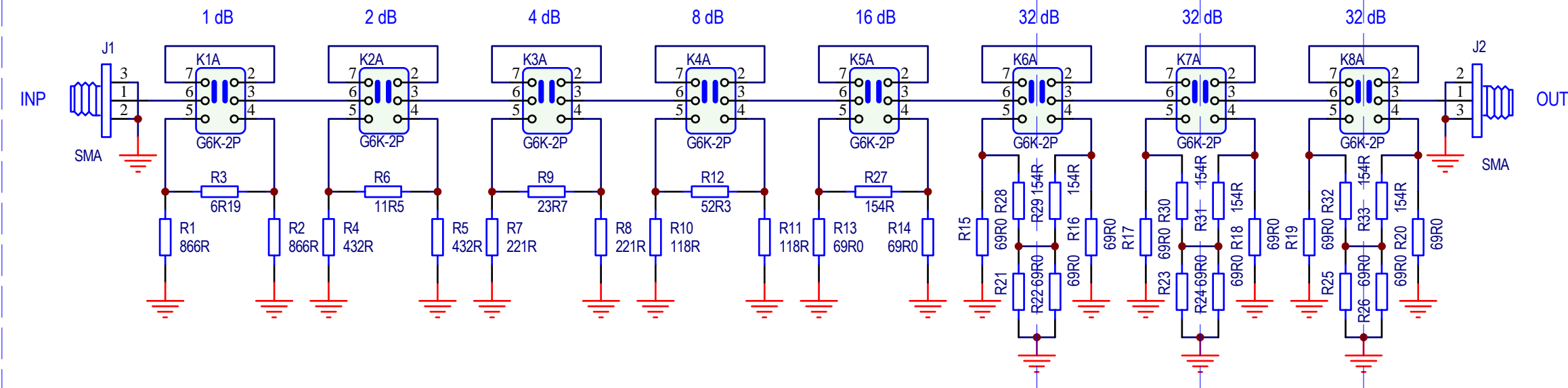


SHIELDED COMPARTMENT



Note: Unless otherwise specified, all values are as follows:
 resistor values are in Ohms, i.e. 0R47, 5R6, 220, 5K6, 22K
 capacitor values are in Microfarads, i.e. 220p, 0u1, 2u2, 33
 inductor values are in Microhenries, i.e. 0u22, 5u6, 68, 2m2

Last Used Components

Name: **DDS Generator**

Pri. No.: **09037G**

Title: **I2C gesteuerte Eichleitung**

Date: **22-Feb-2010**

Size: **A** Drw. No.: **09037G-DDS-ATT-E01**

Rev: **0**

Modified:
Approved:

Last Change:
PCB Name:

Scale:

By: Time: 11:19:00 File: DDS_ATT.sch

Sheet 1 of 1