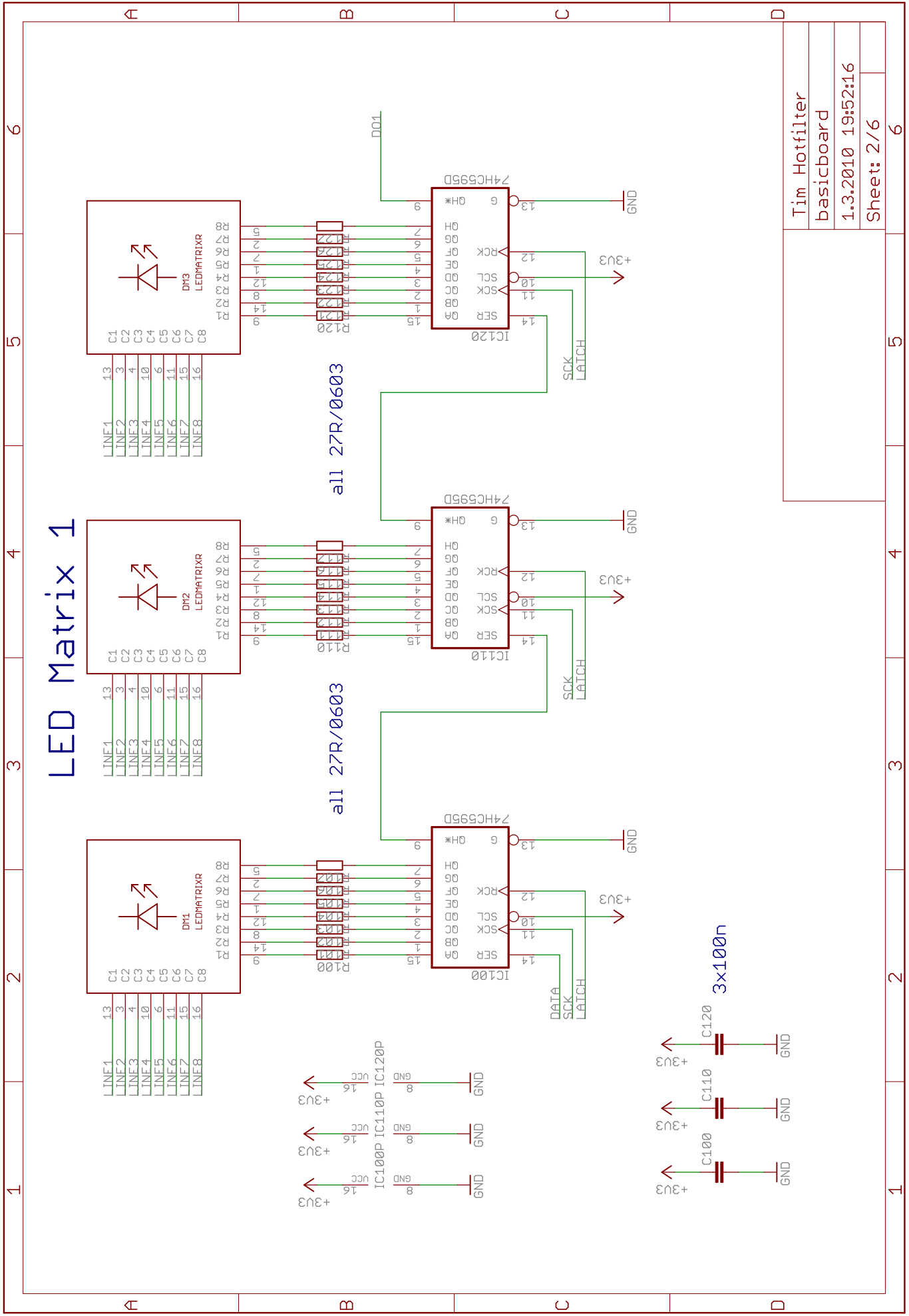
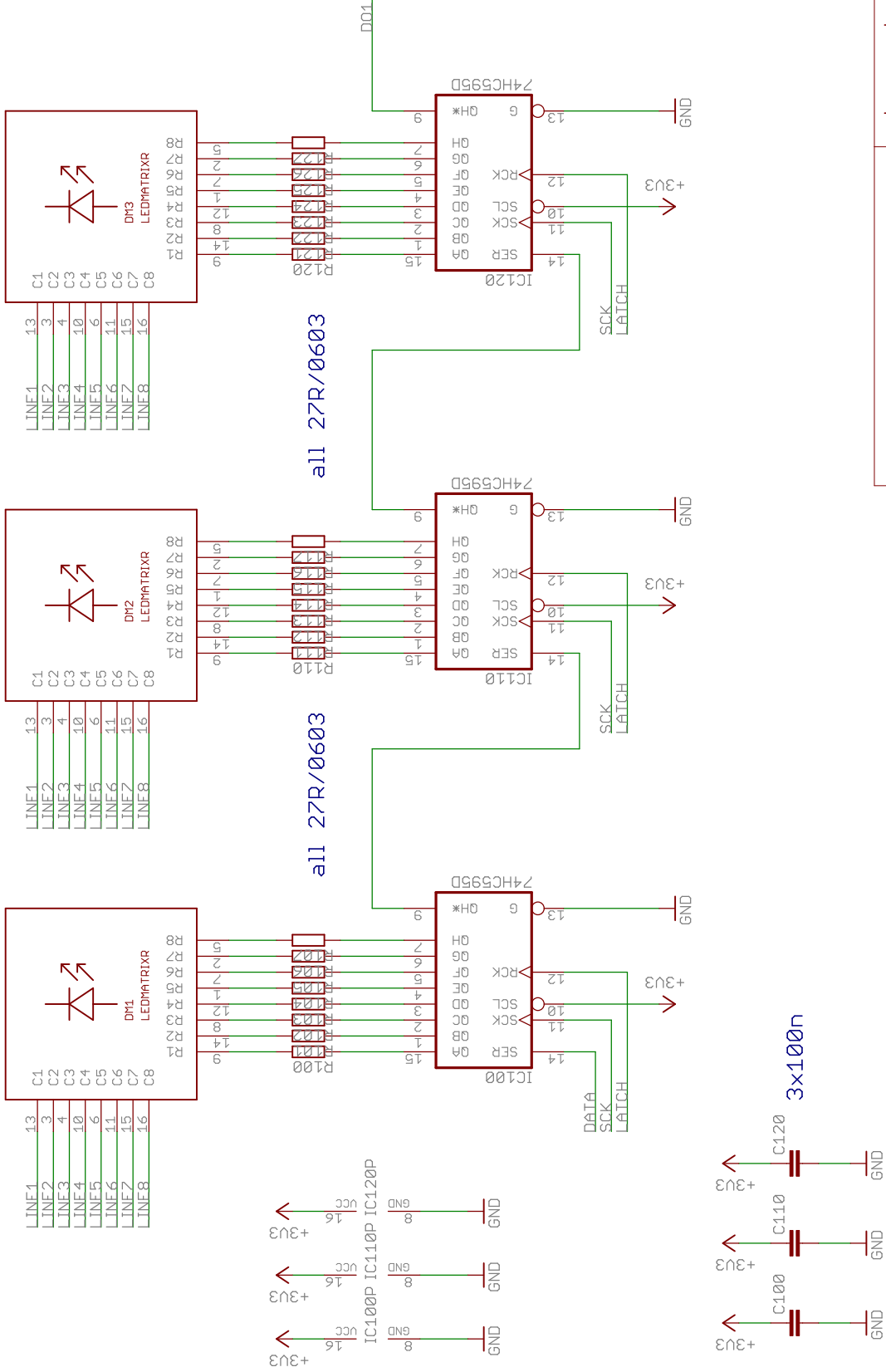
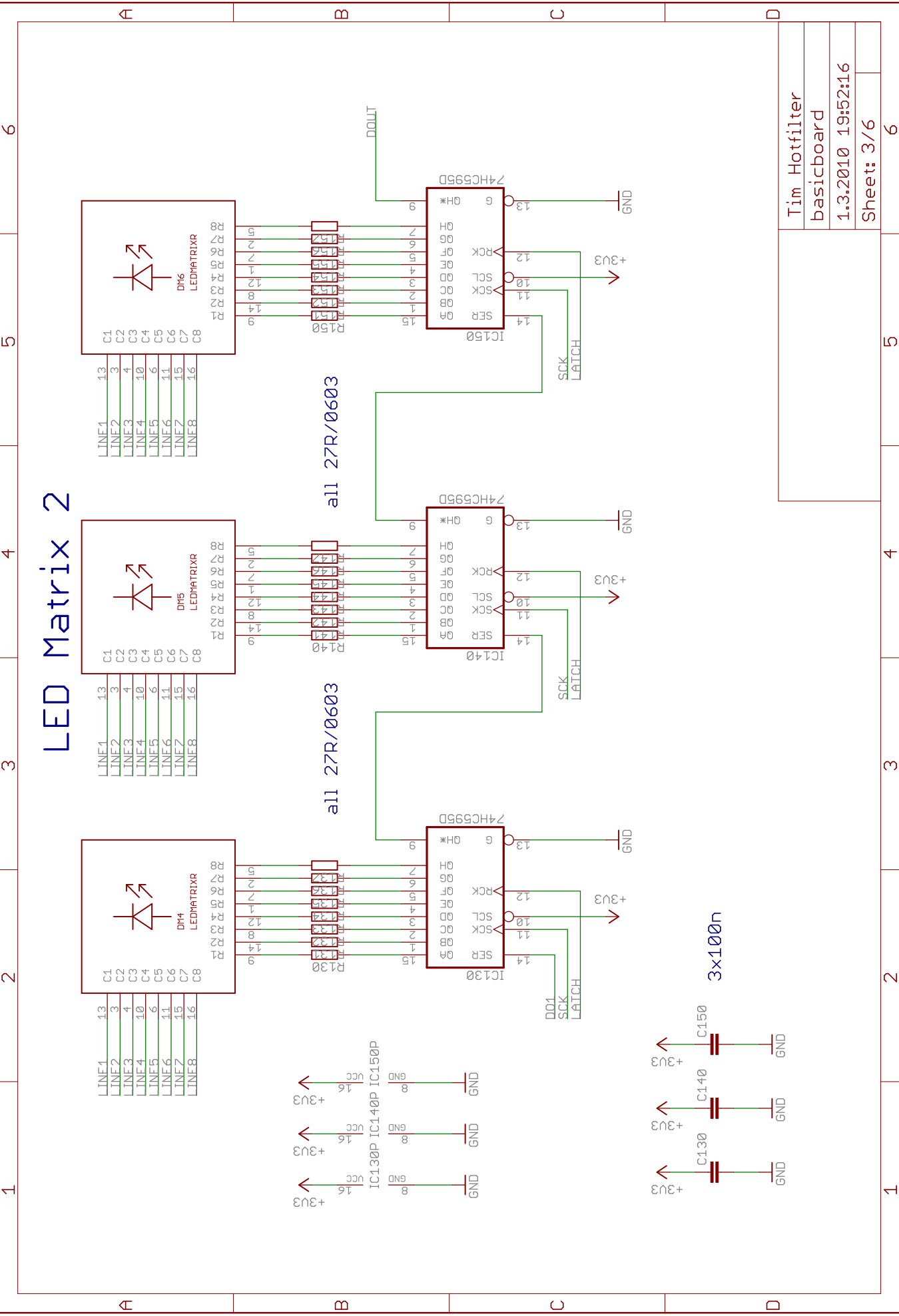
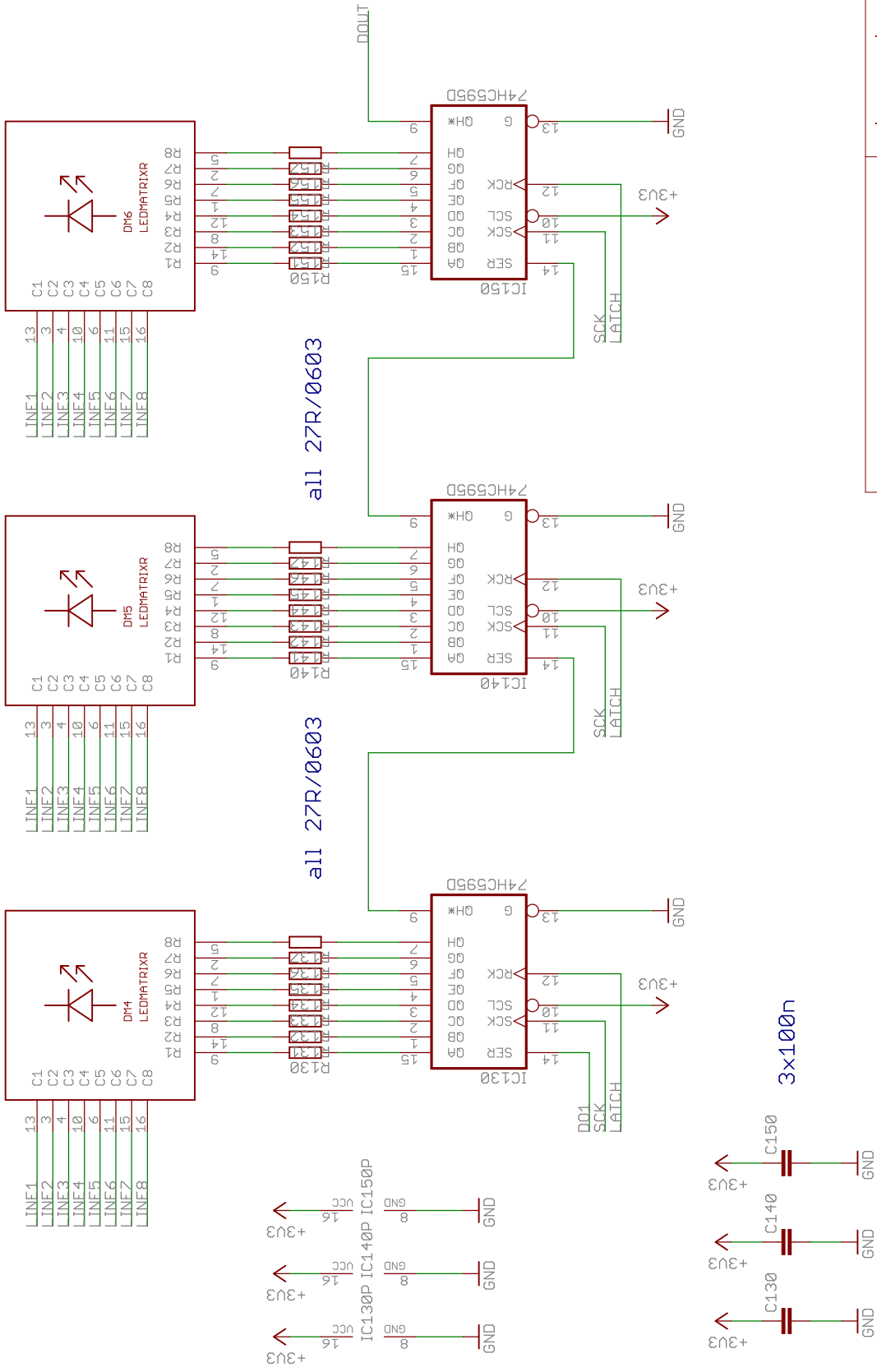


Tim Hotfilter
 basicboard
 1.3.2010 19:52:16
 Sheet: 1/6

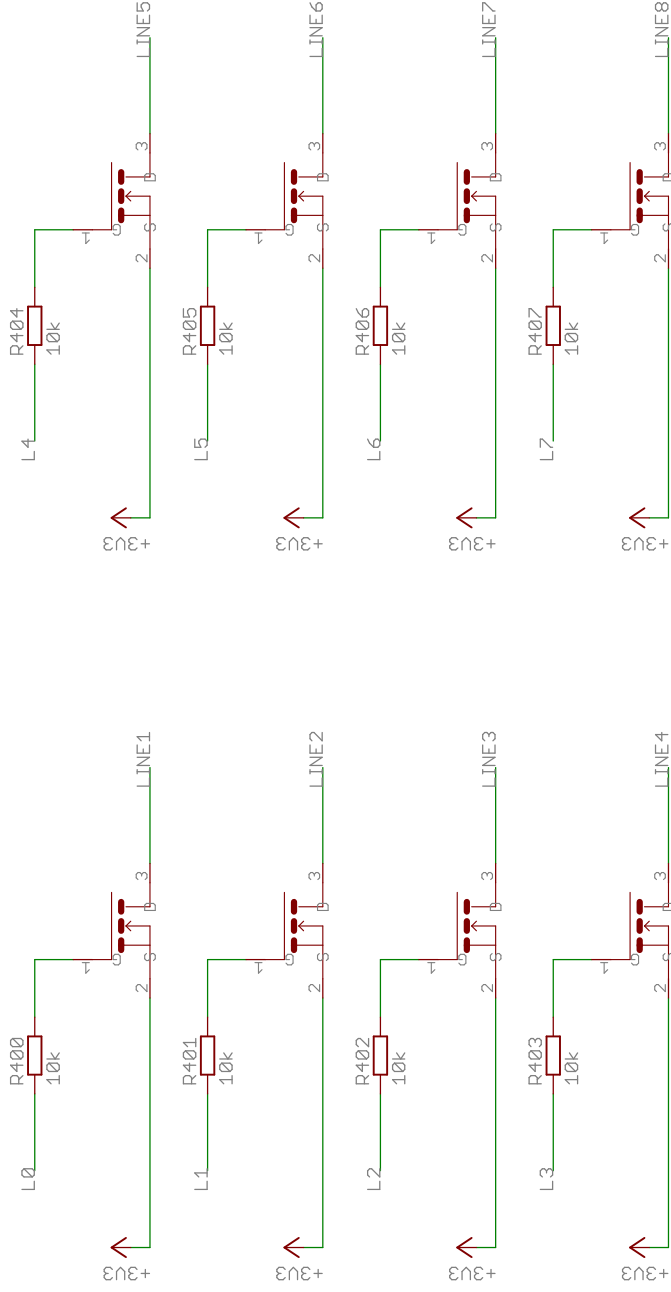
LED Matrix 1



LED Matrix 2



MOSFETS

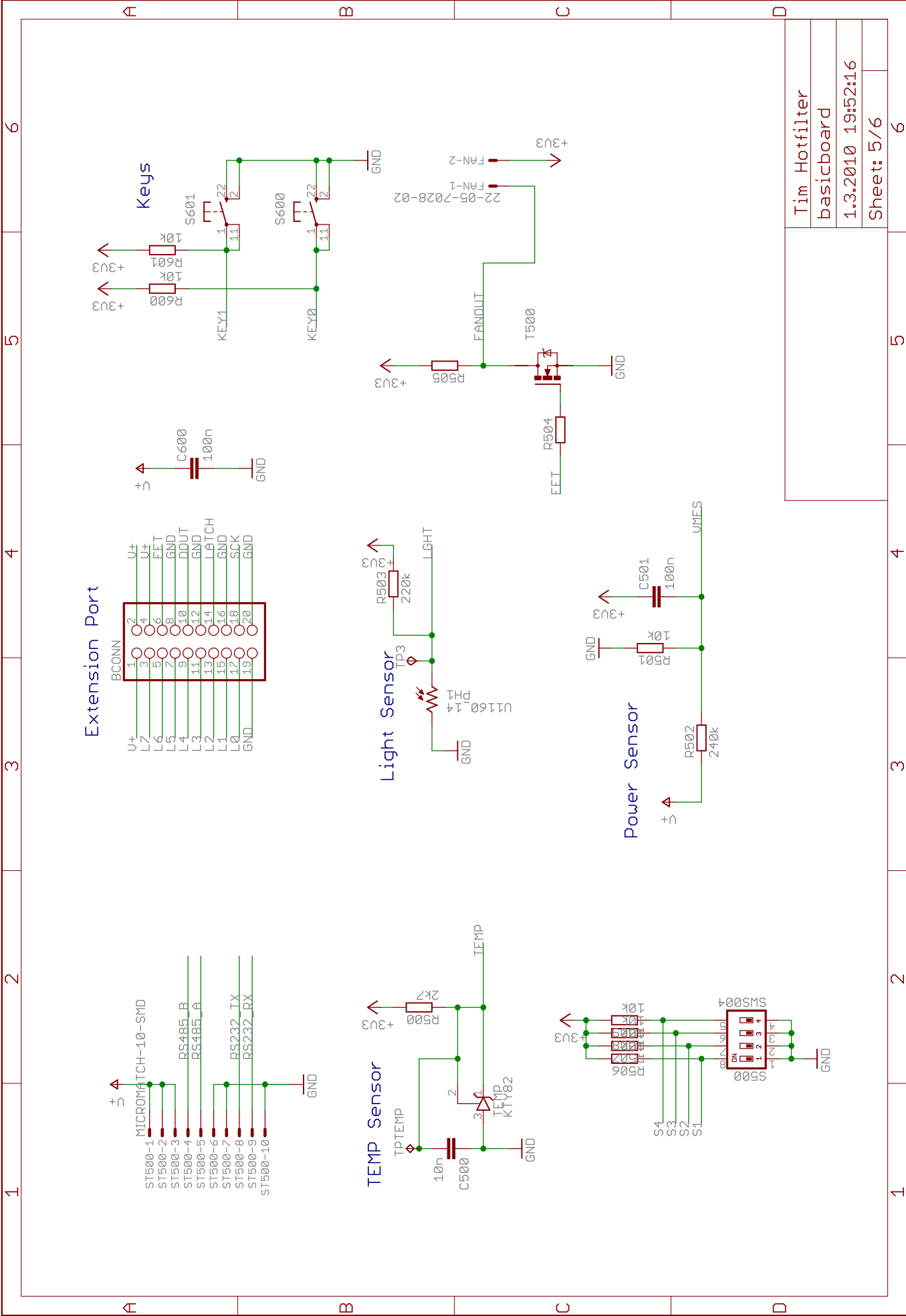


all R = 10k

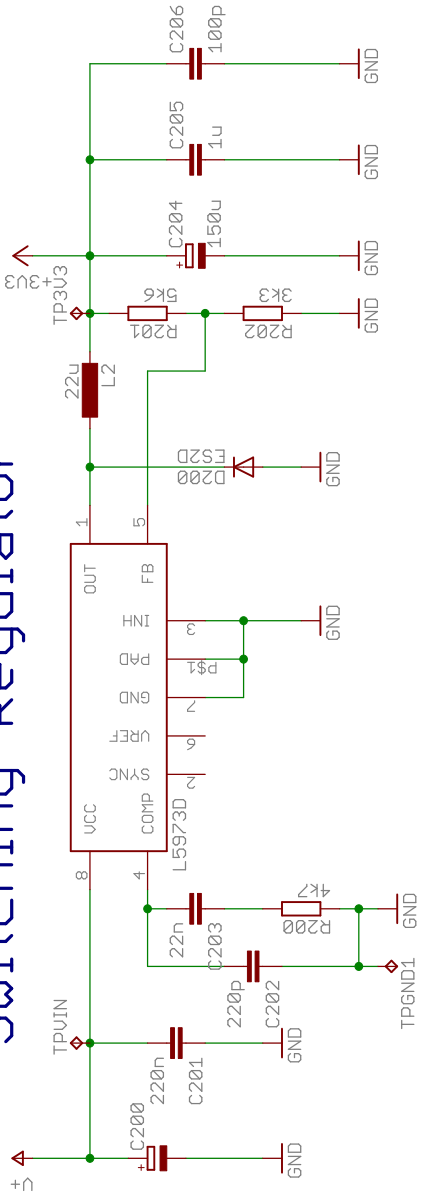
Mosfets = IRLML6401

Achtung: Falsches Schaltsymbol

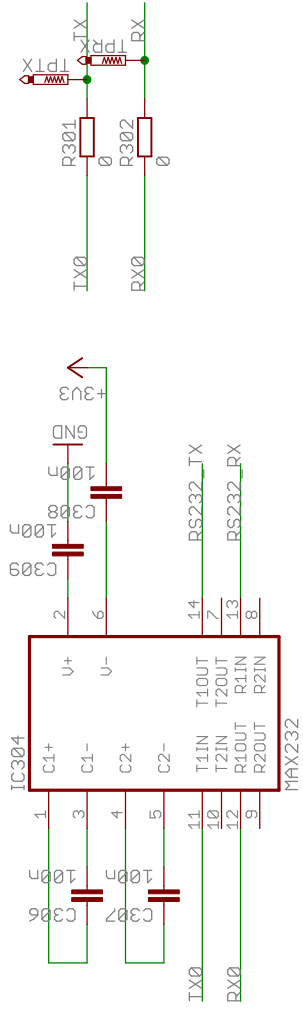
Tim Hotfilter	
basicboard	
1.3.2010 19:52:16	
Sheet: 4/6	



Switching Regulator



RS232



Tim Hotfilter
basicboard
1.3.2010 19:52:16
Sheet: 6/6