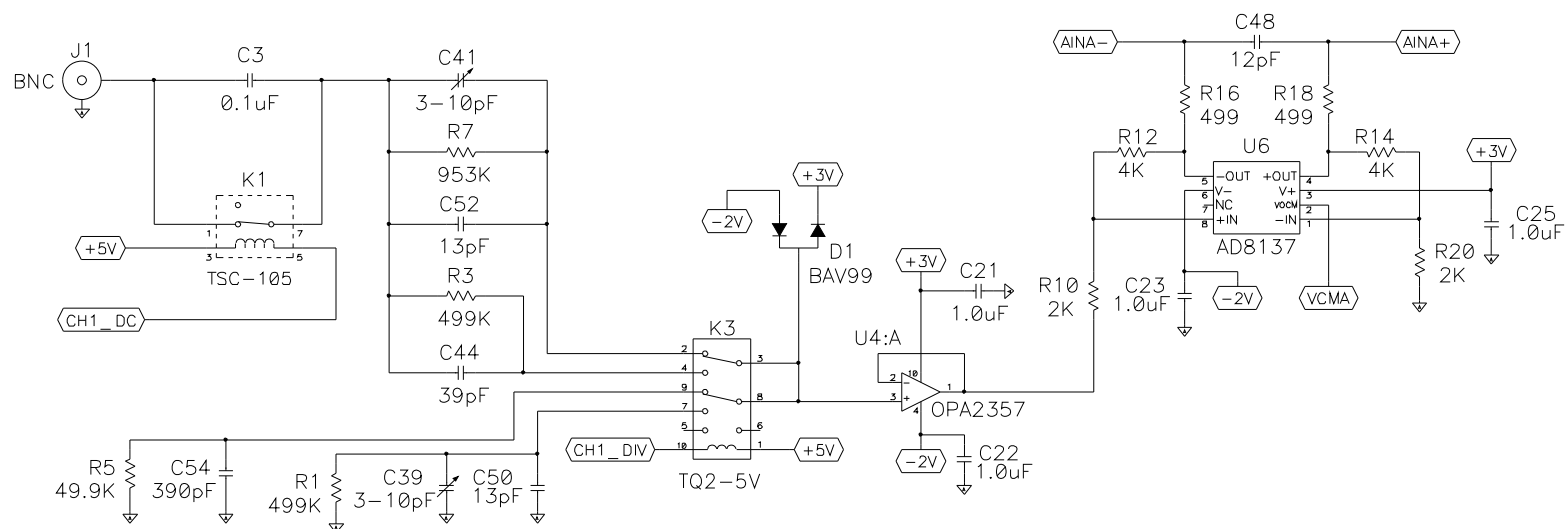


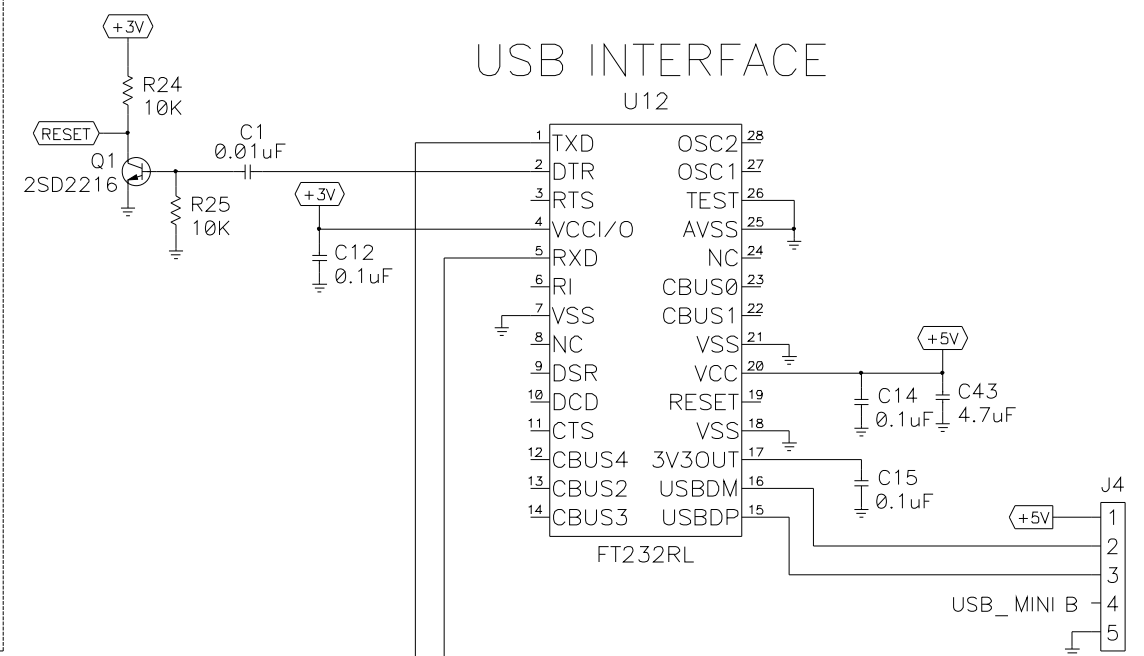
NOTES: UNLESS OTHERWISE SPECIFIED
 1. ALL CAPACITOR VALUES ARE IN MICROFARADS.
 2. ALL RESISTOR VALUES ARE IN OHMS.

REV	BY	DATE
A	TB	091209

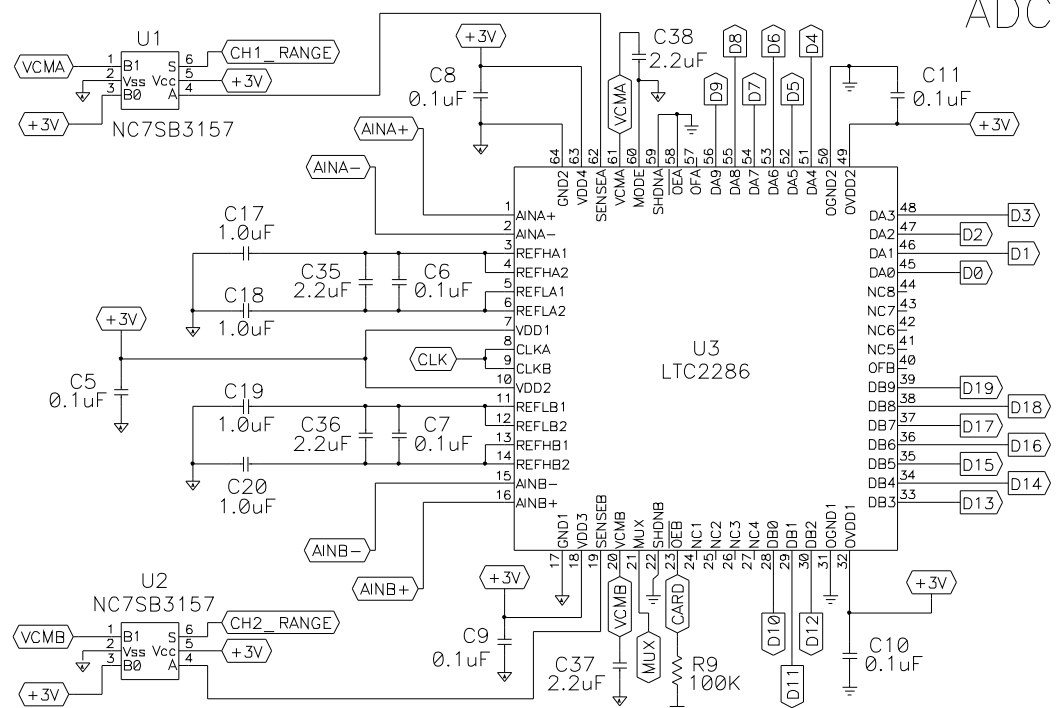
CHANNEL 1



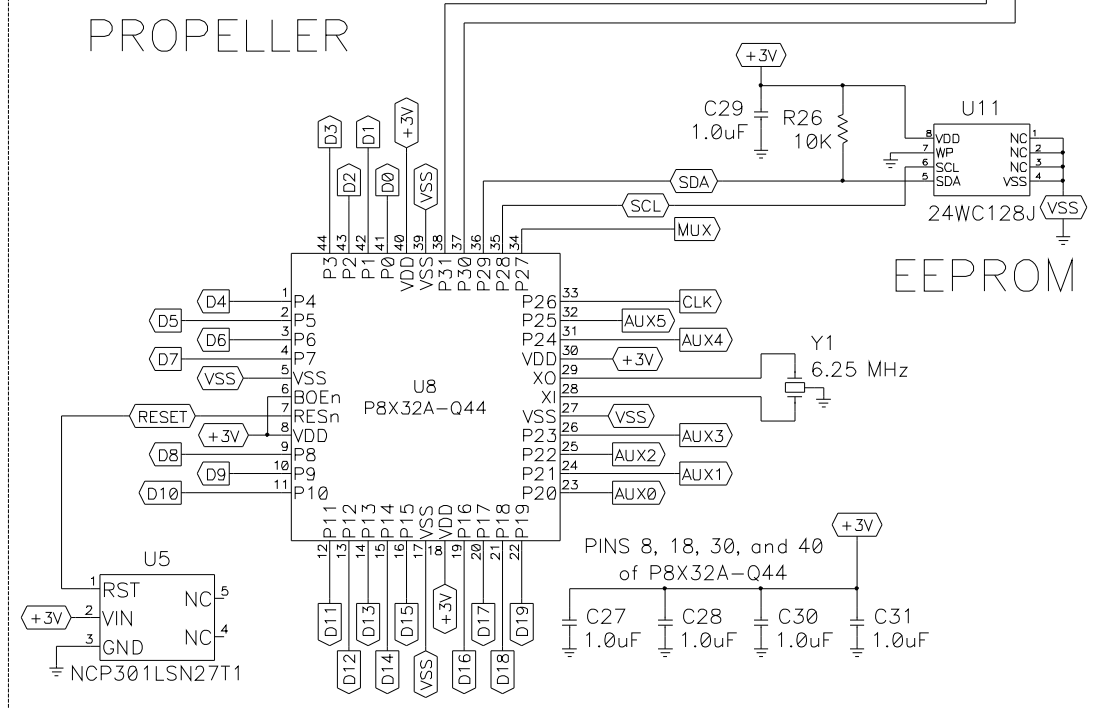
USB INTERFACE



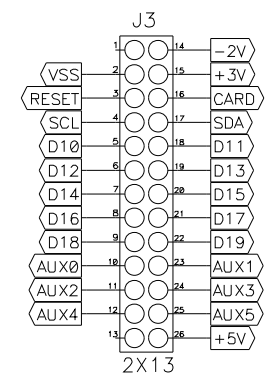
ADC



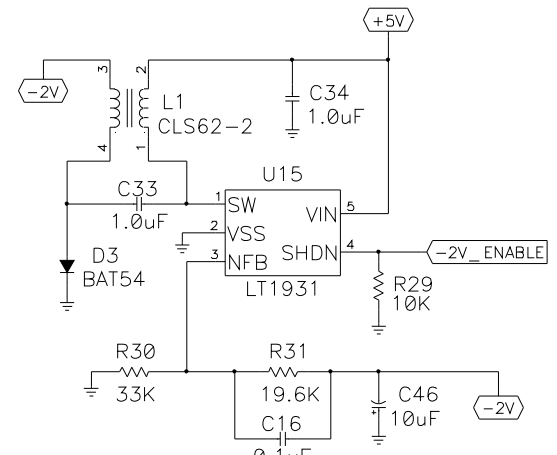
PROPELLER



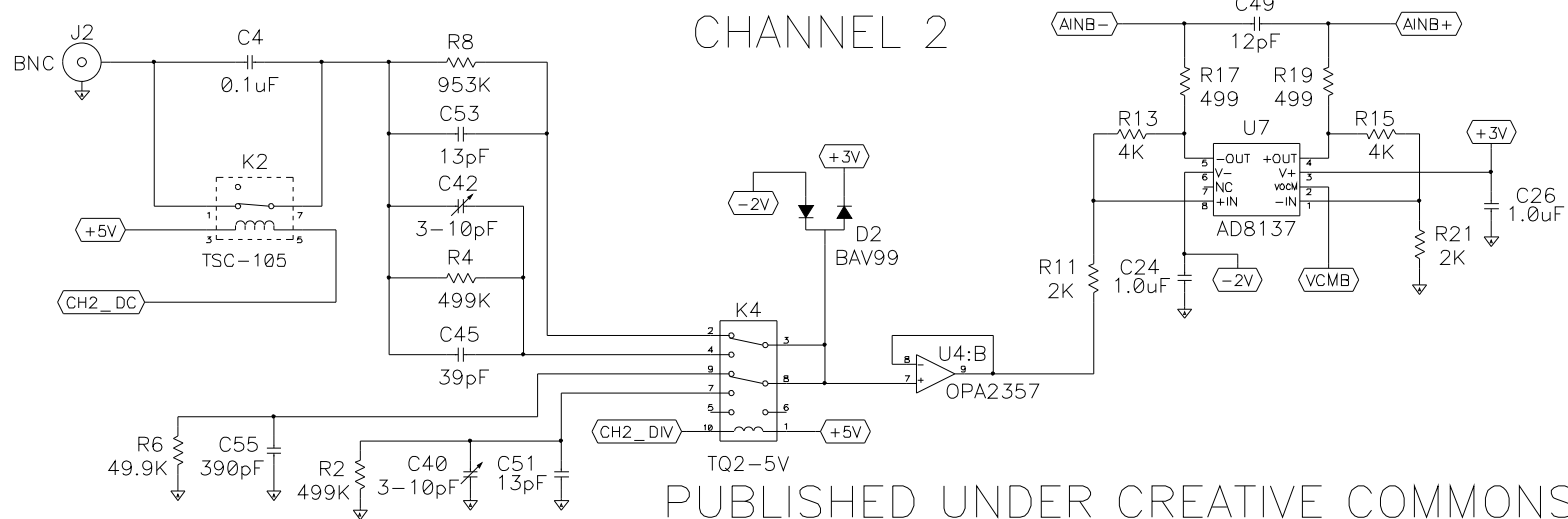
EXPANSION CONNECTOR



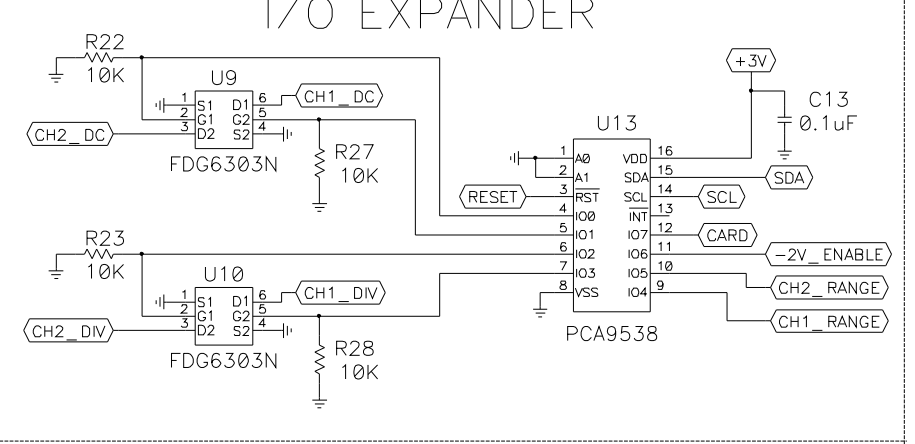
-2V REGULATOR



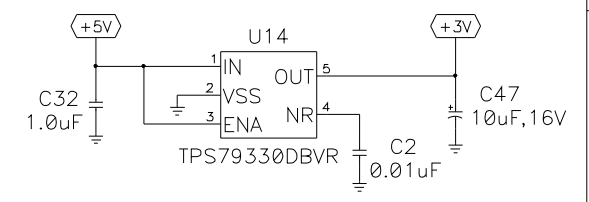
CHANNEL 2



I/O EXPANDER



+3V REGULATOR



PUBLISHED UNDER CREATIVE COMMONS ATTRIBUTION V3.0 LICENSE GUIDELINES

PARALLAX INC. ROCKLIN, CA 95765 (916) 624-8333		
TITLE SCHEMATIC, PROPSCOPE		
SIZE D	DWG. NO. 32220	REV. A
SCALE NONE	SHEET 1 OF 1	