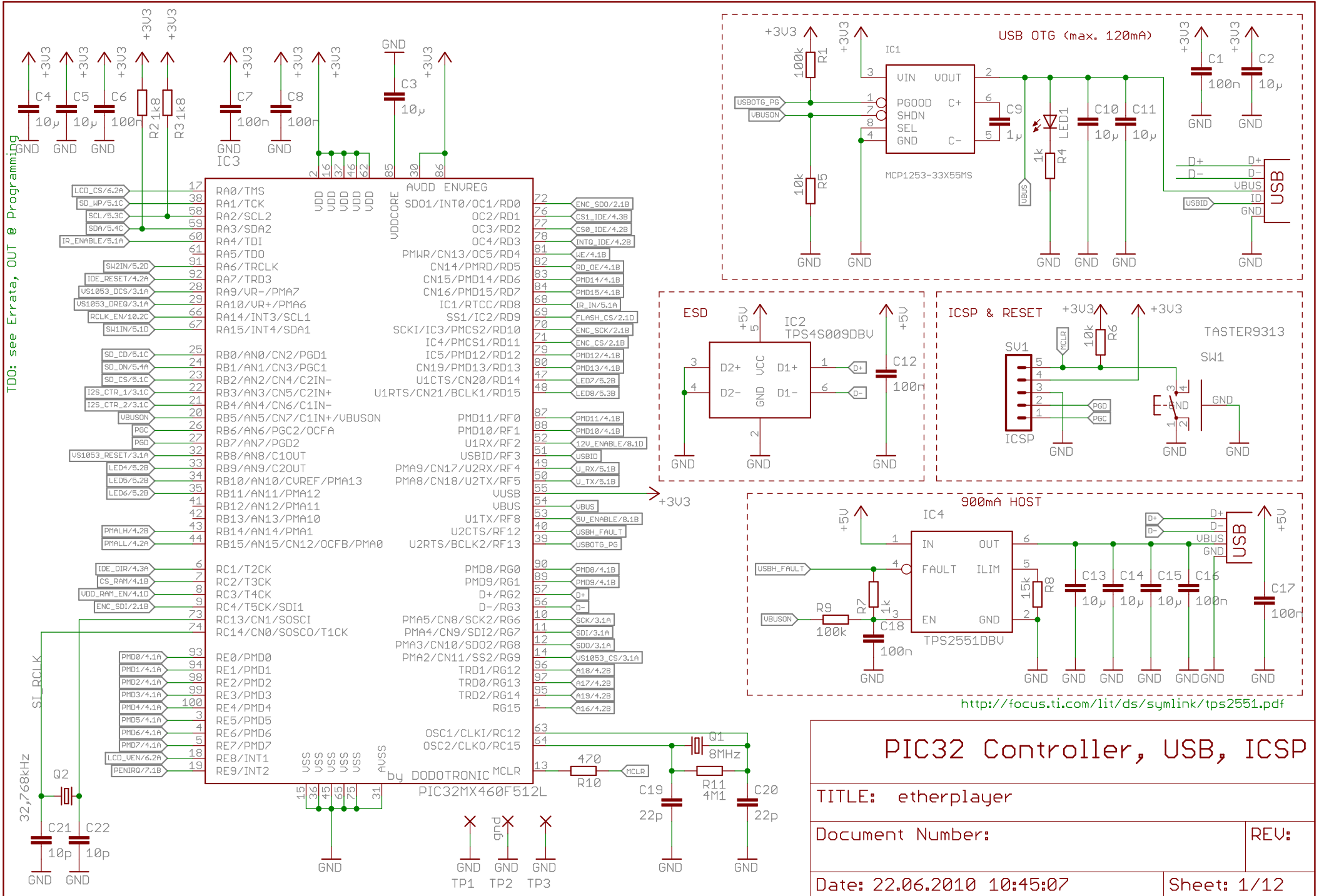
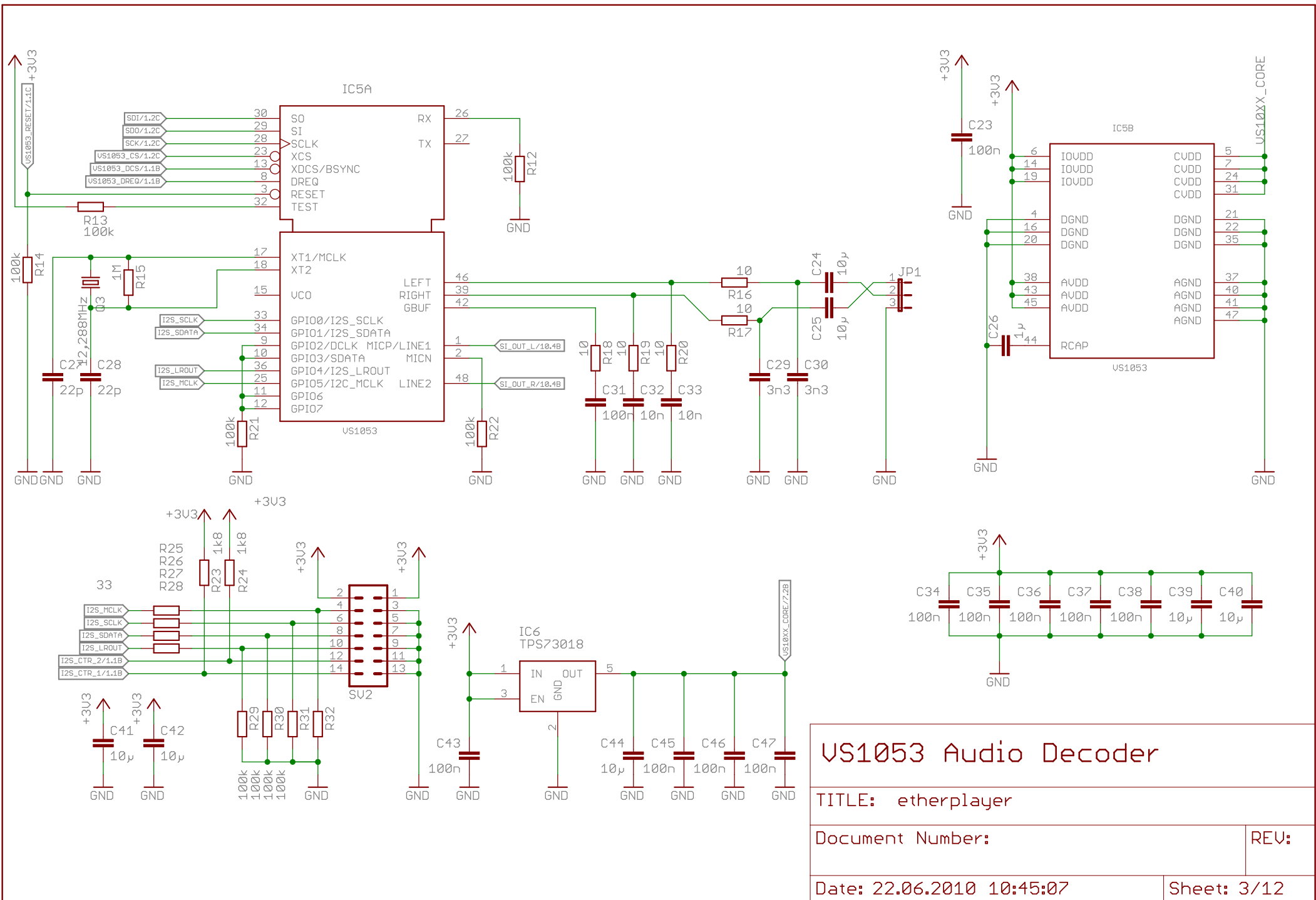
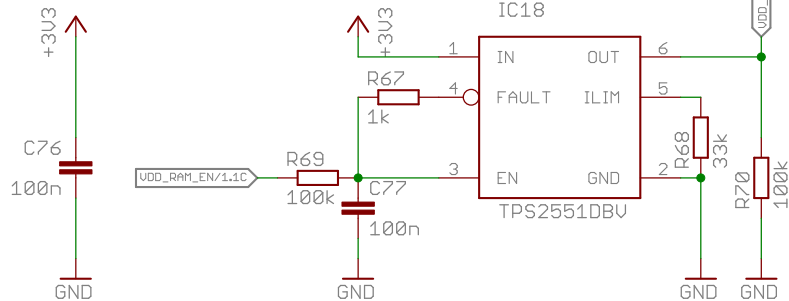
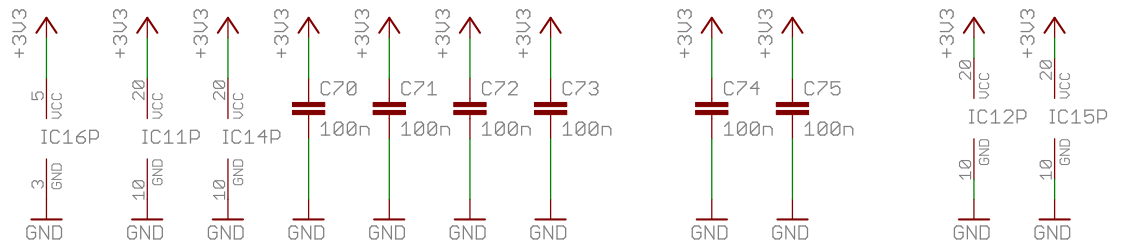
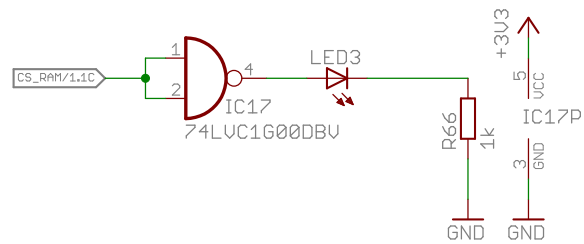
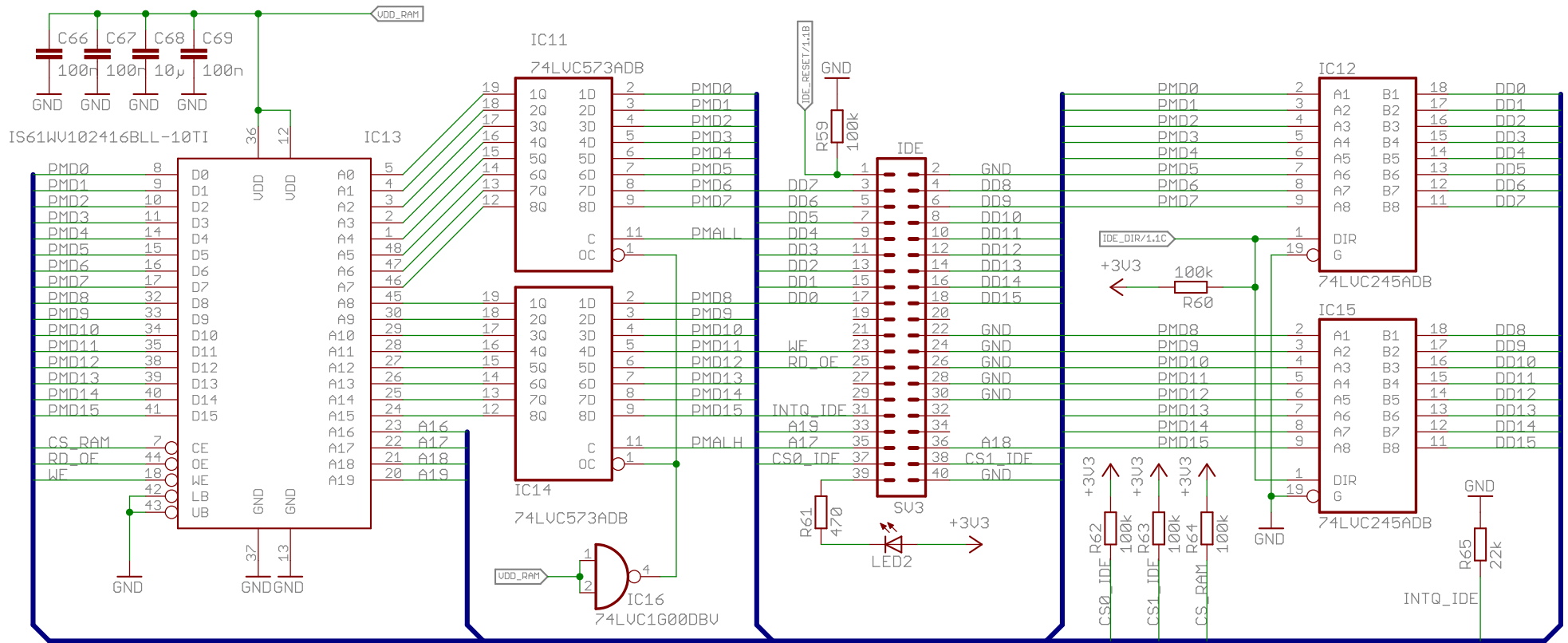


TDO: see Errata, OUT @ Programming

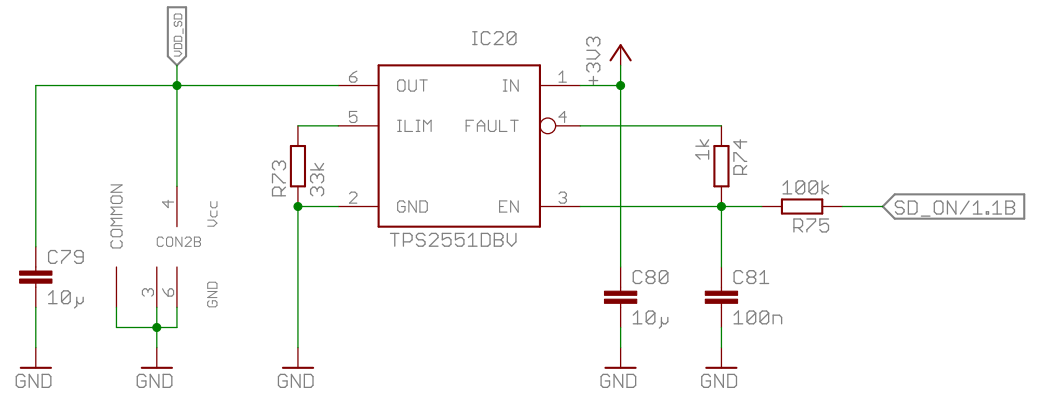
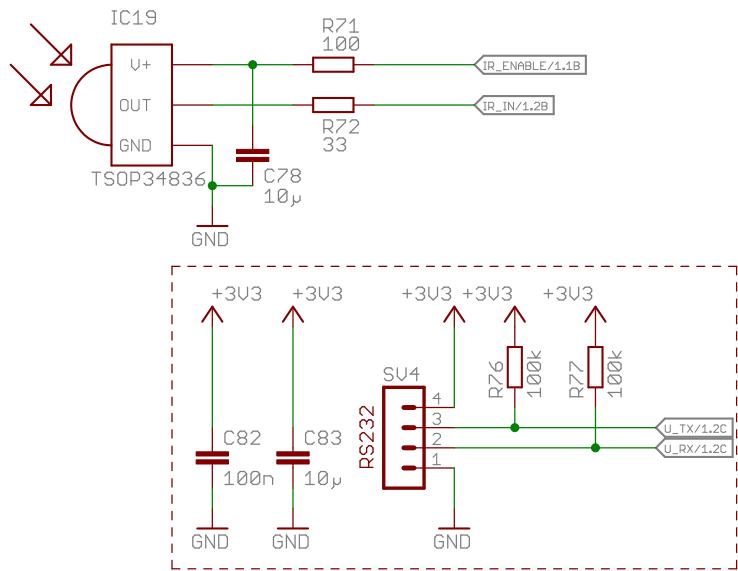




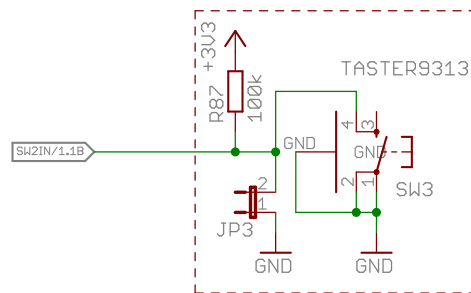
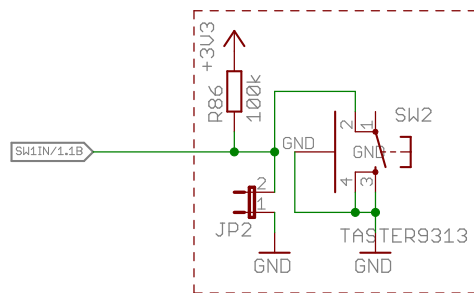
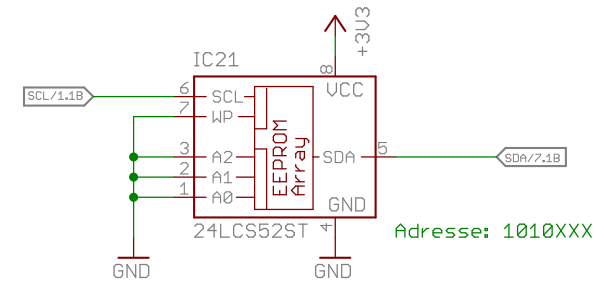
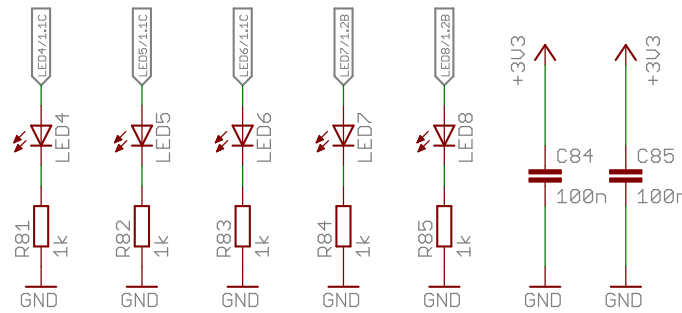
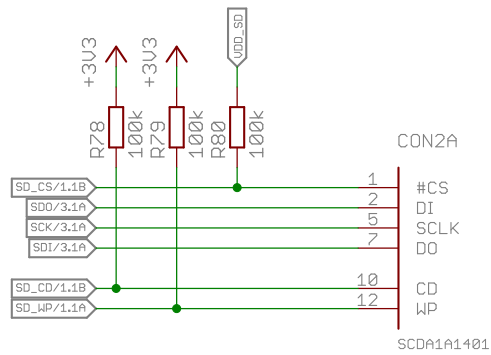
<h2>VS1053 Audio Decoder</h2>	
TITLE: etherplayer	
Document Number:	REV:
Date: 22.06.2010 10:45:07	Sheet: 3/12



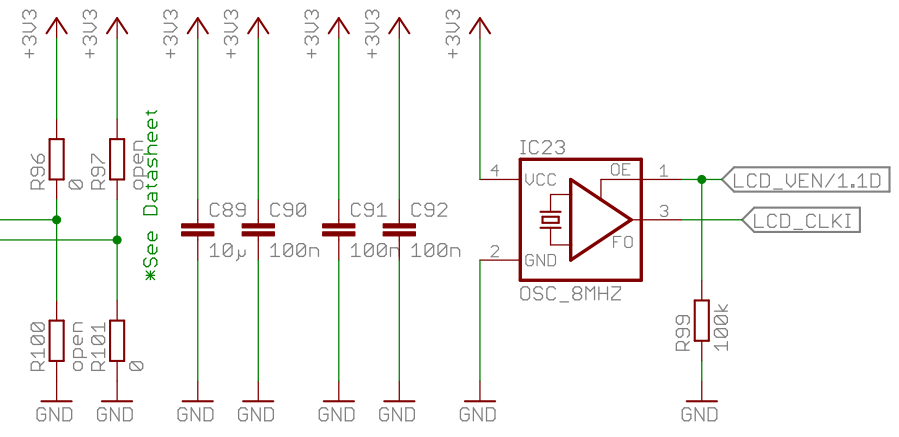
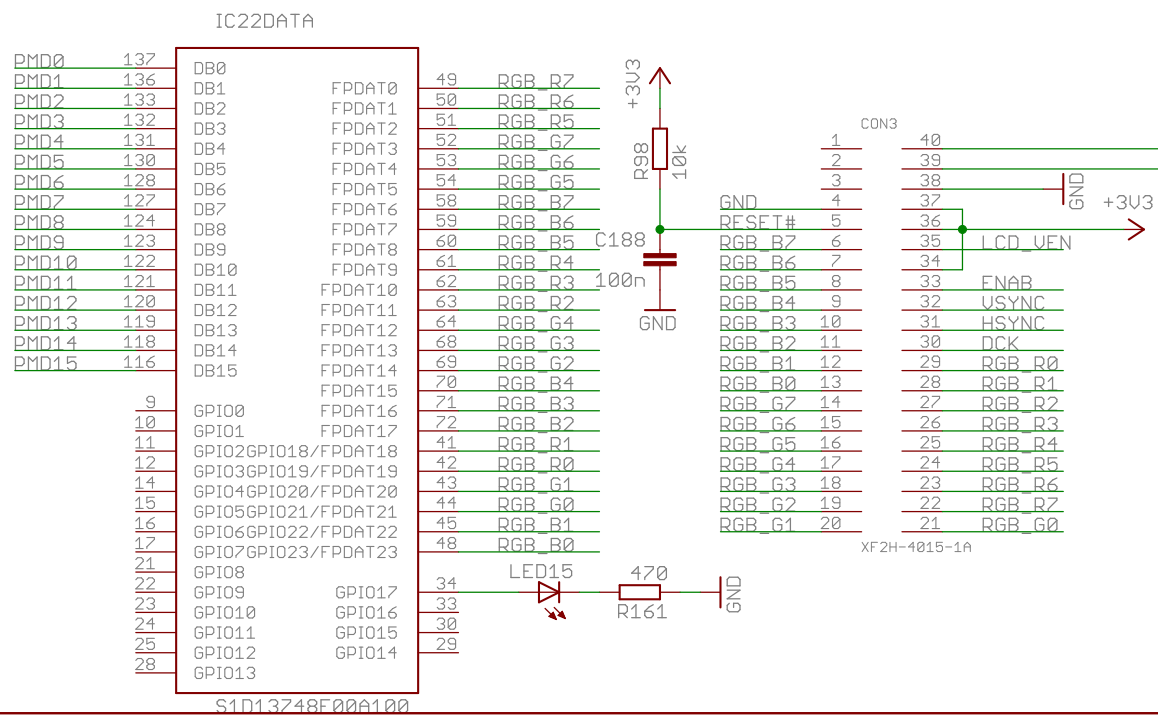
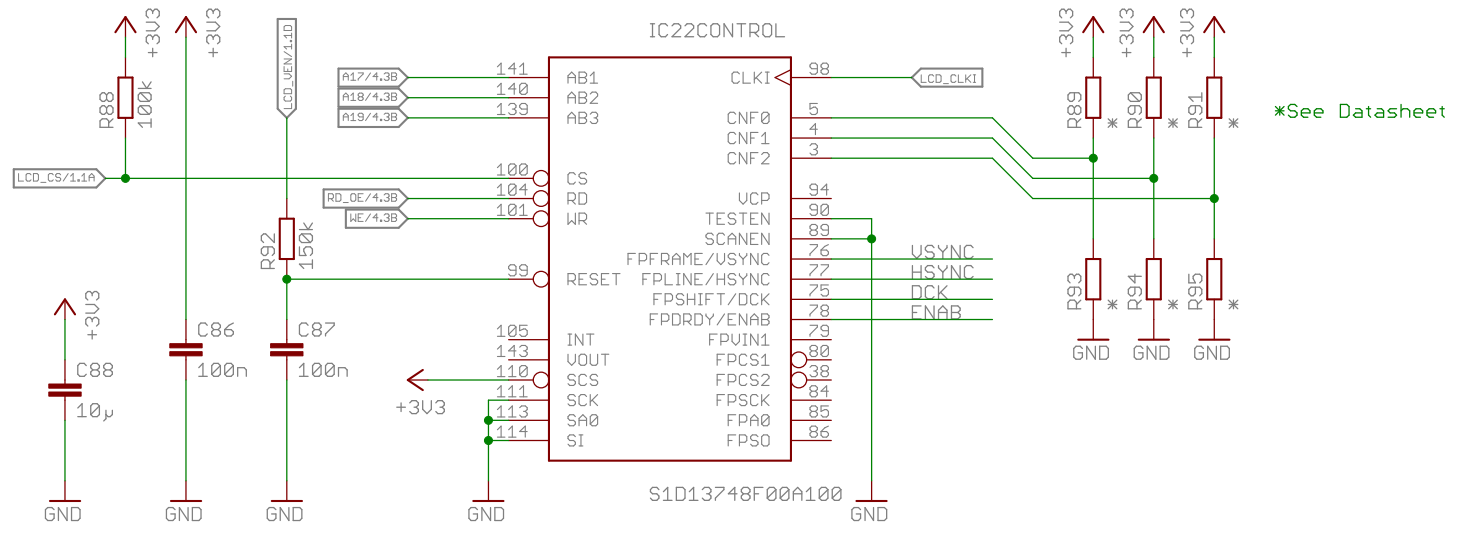
16MBit async. RAM, IDE	
TITLE: etherplayer	
Document Number:	REV:
Date: 22.06.2010 10:45:07	Sheet: 4/12



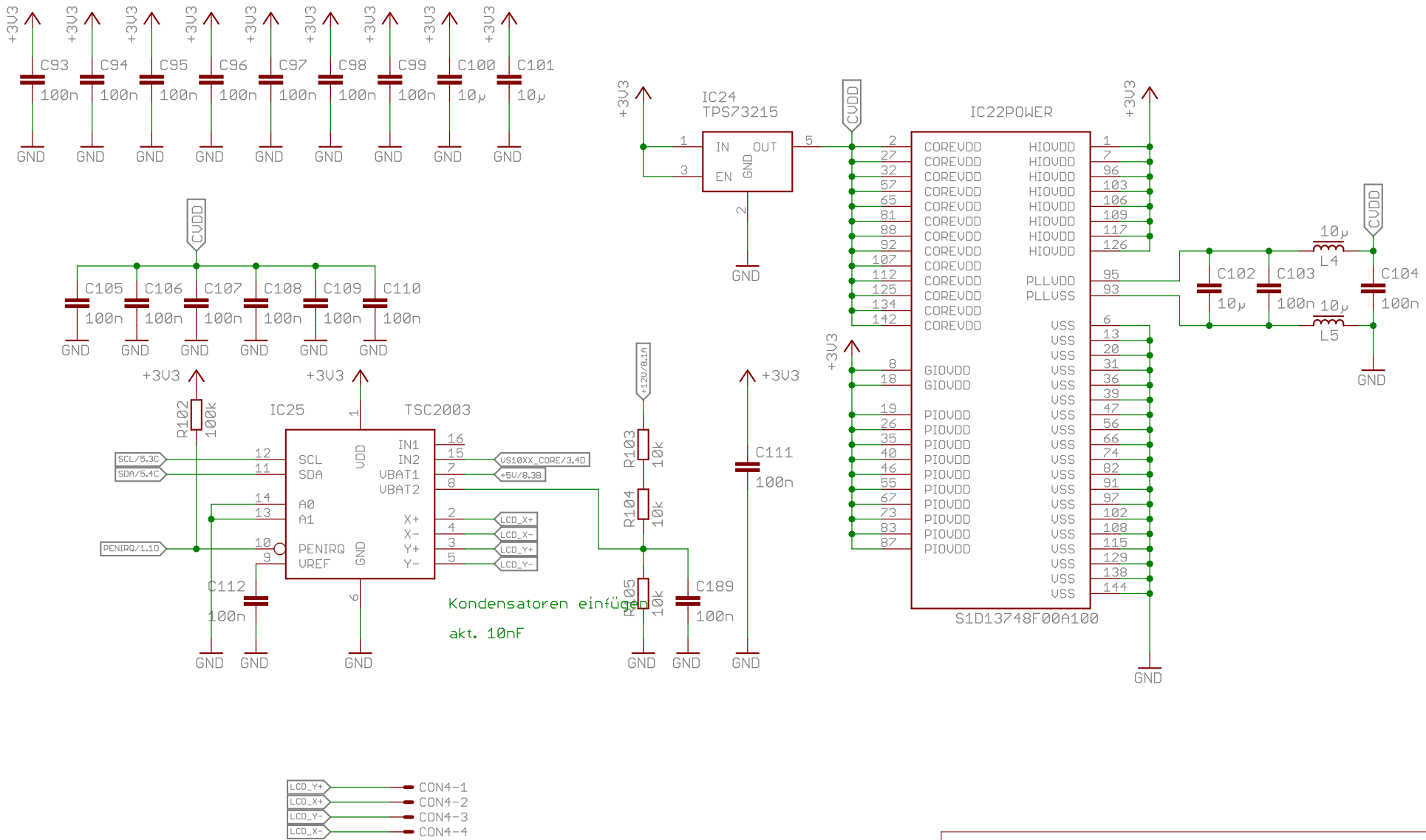
<http://search.digikey.com/scripts/DkSearch/dksus.dll?Detail&name=425-2511-ND>



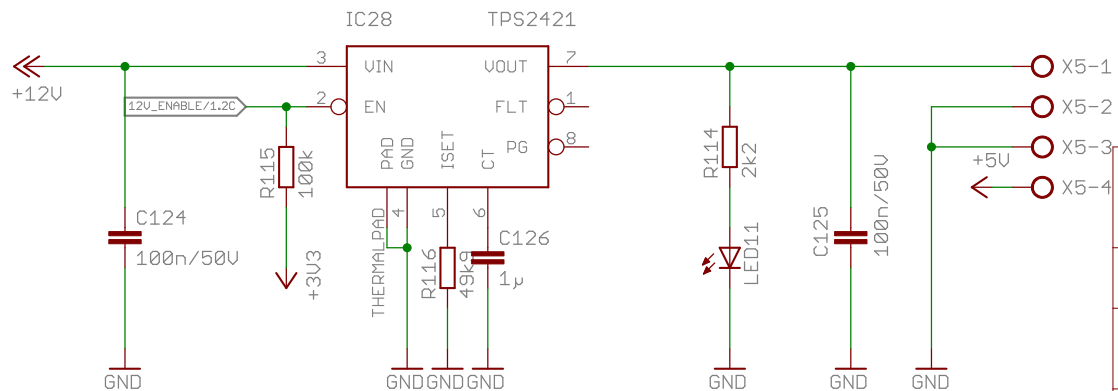
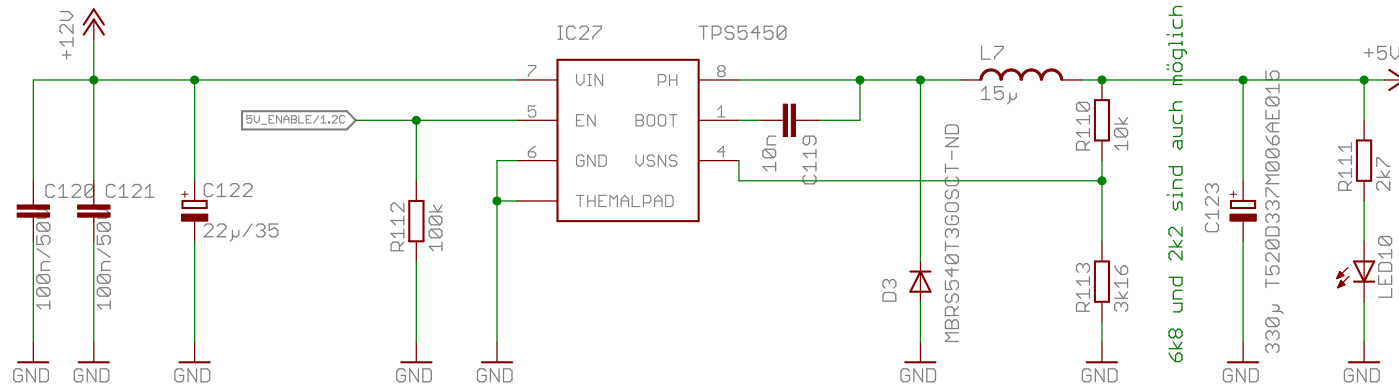
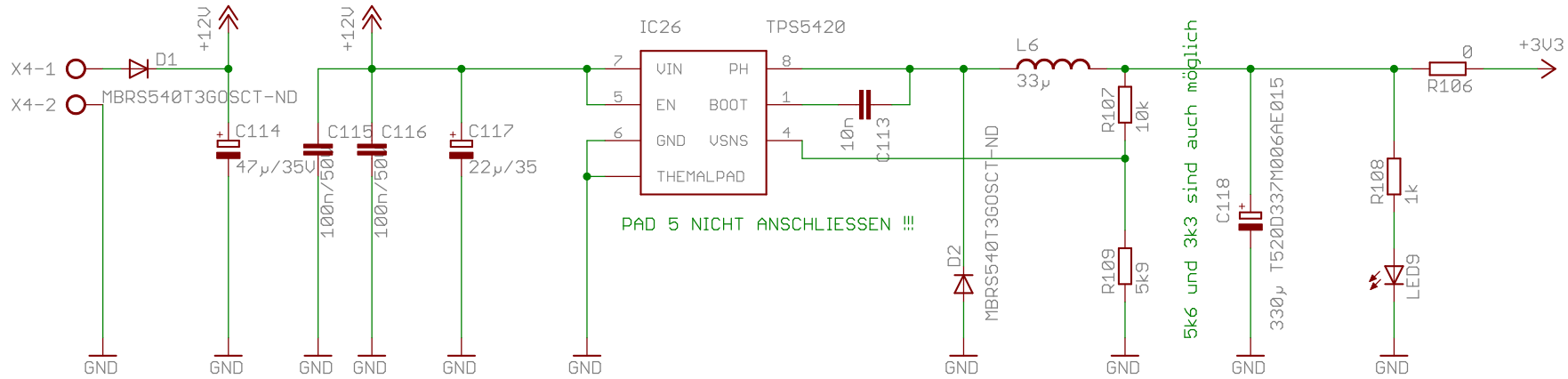
TITLE: etherplayer	
Document Number:	REV:
Date: 22.06.2010 10:45:07	Sheet: 5/12



LCD	
TITLE: etherplayer	
Document Number:	REV:
Date: 22.06.2010 10:45:07	Sheet: 6/12



<h1>LCD</h1>	
TITLE: etherplayer	
Document Number:	REV:
Date: 22.06.2010 10:45:07	Sheet: 7/12



Reicht Stecker für IDE
SUS 5, SUK3 & 5, PSG5, PSW5

12V Input, 4A Power Supply

TITLE: etherplayer

Document Number:

REV:

Date: 22.06.2010 10:45:07

Sheet: 8/12