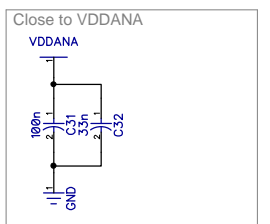
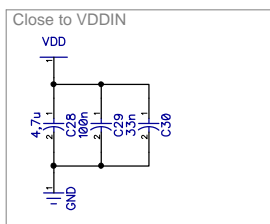
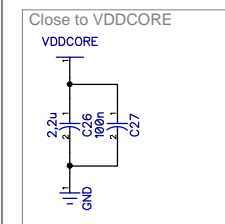
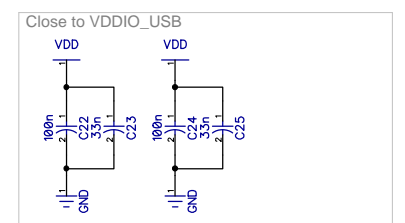
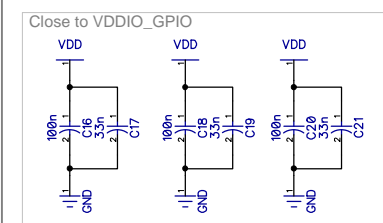
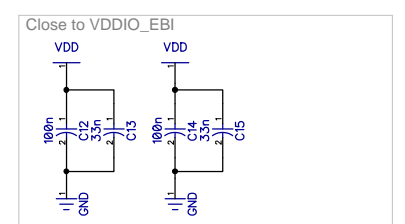
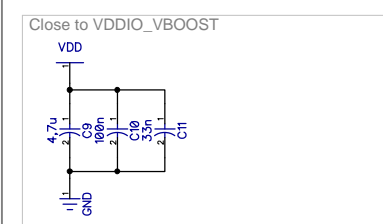
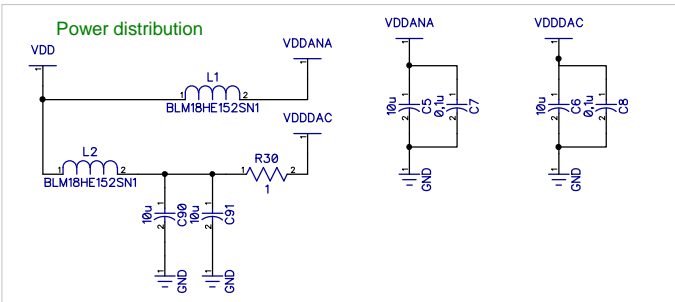
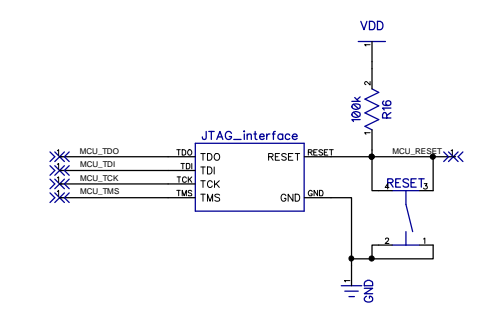
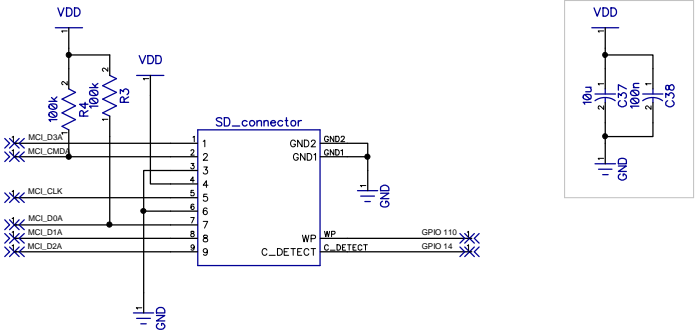
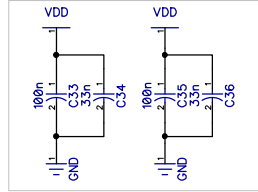


RevNo	Revision note	Date	Signature	Checked
-------	---------------	------	-----------	---------



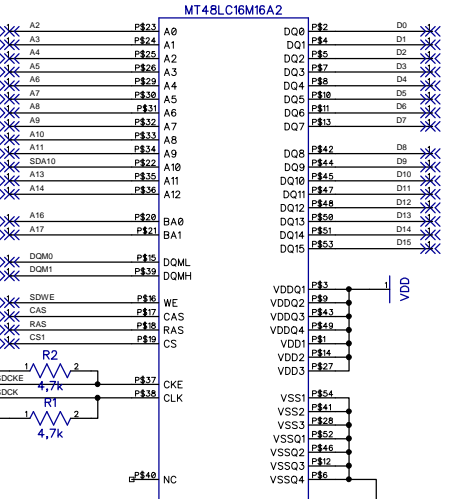
Decoupling capacitors

Quantity	NOSON HANDHELD BOARD			v2.0	
Designed by Zippi	Checked by	File name NOSON_2.0.dch	Date 12/08/10	Scale 1:1	
			Edition 1	Sheet 1/5	

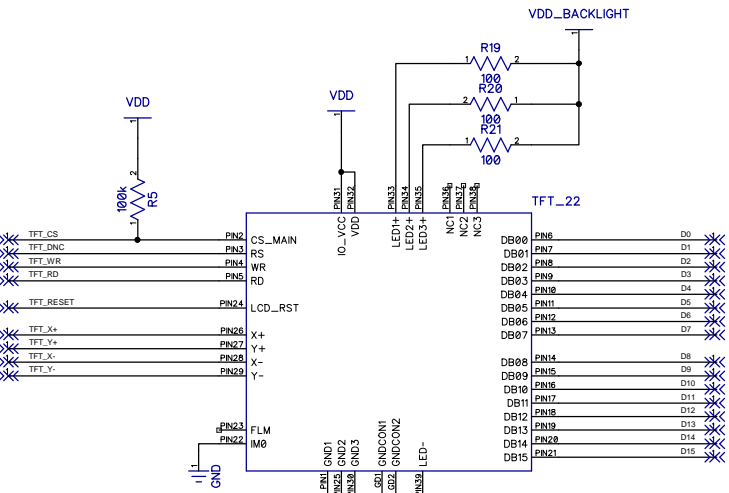


SD/SDIO/MMC 4 Bit connector

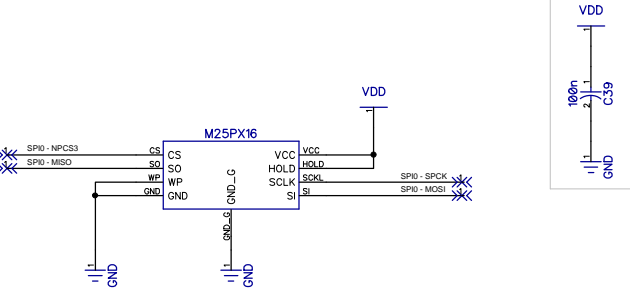
AVR32 JTAG interface



SDRAM 256 MBIT

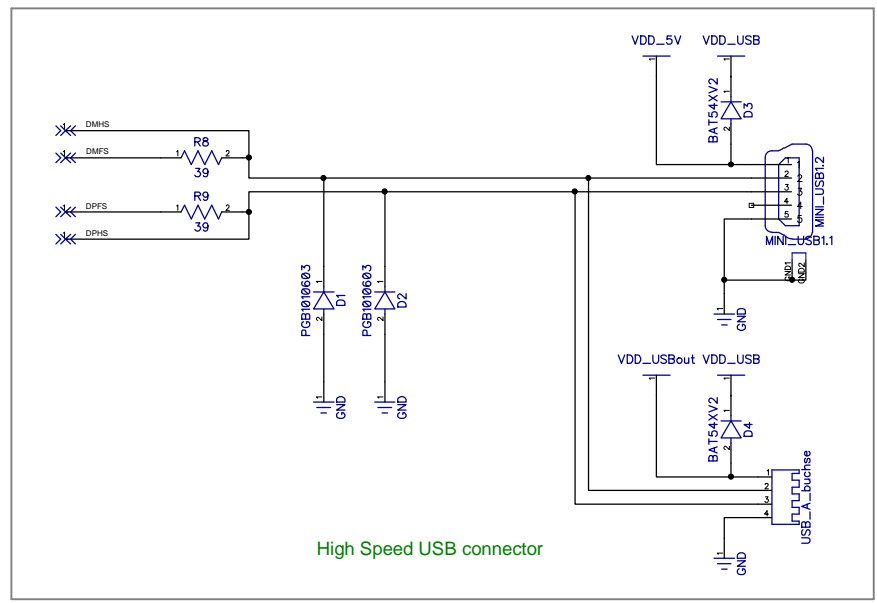
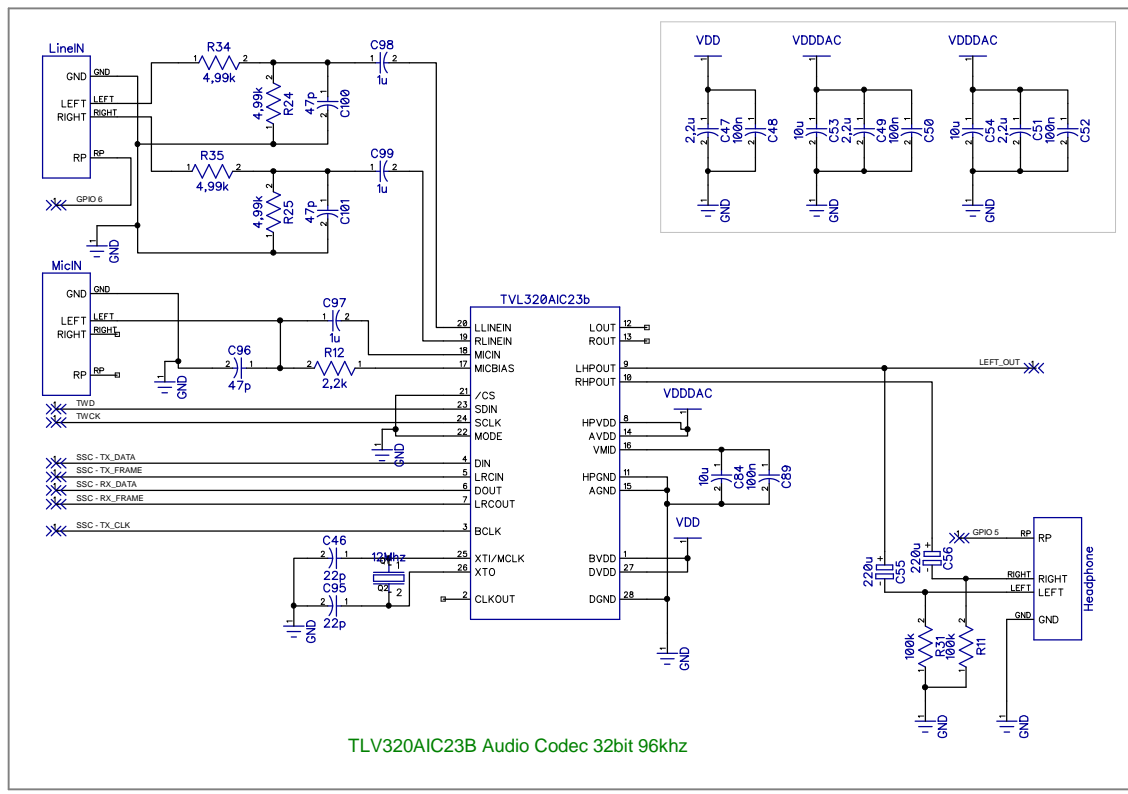
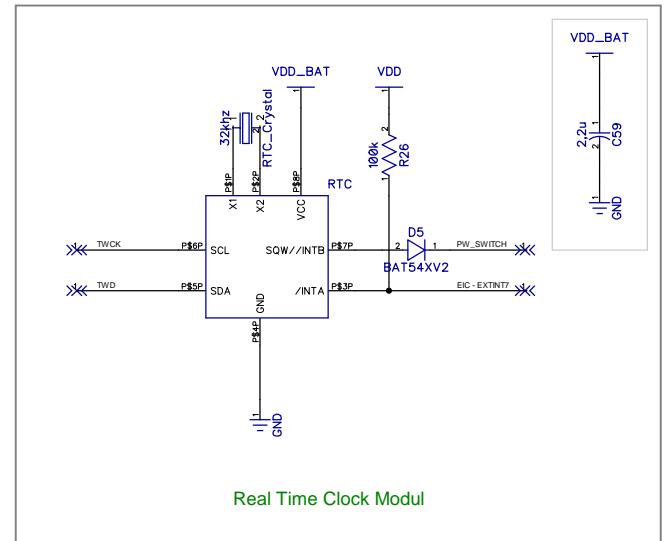
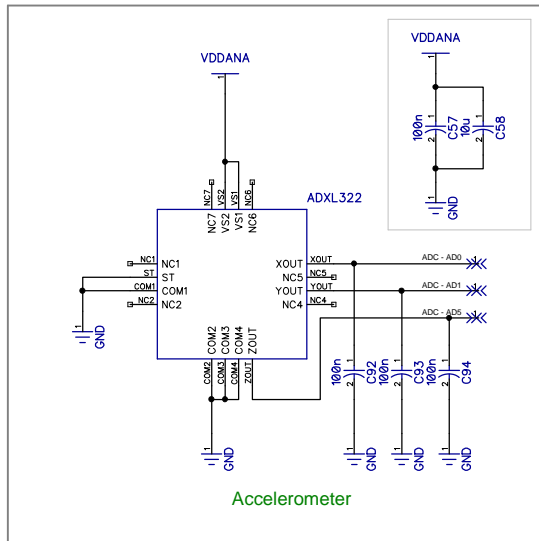
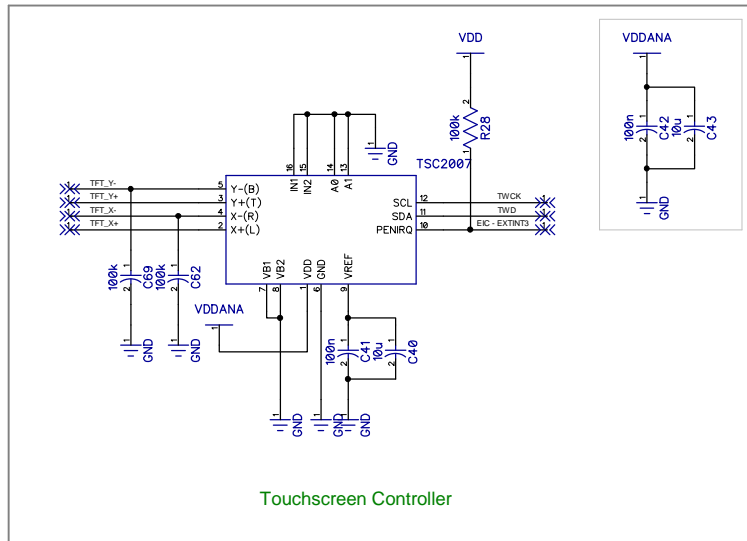


2.2" LCD Display



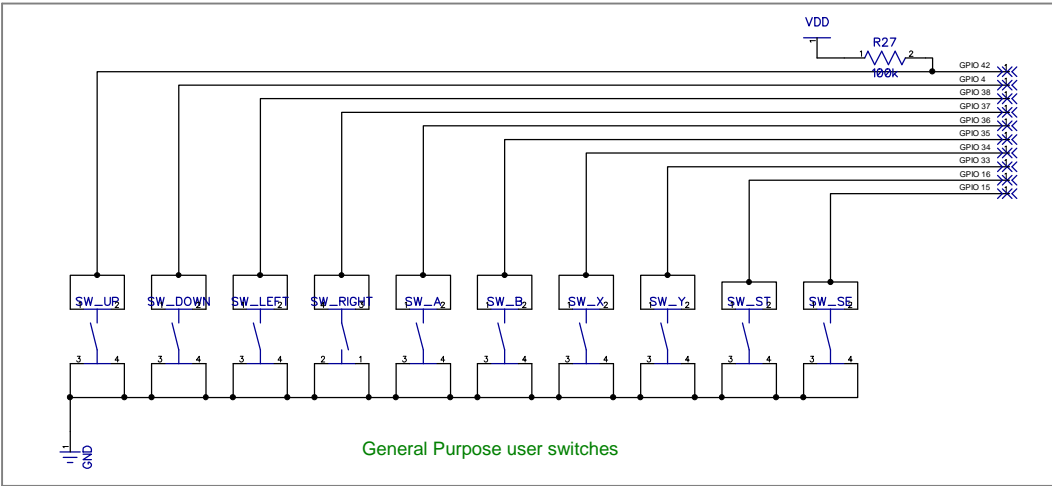
Serial Flash 16Mbits

Quantity	NOSON HANDHELD BOARD			v2.0
Designed by Zippi	Checked by	File name NOSON_2.0.dch	Date 12/08/10	Scale 1:1
			Edition 1	Sheet 2/5

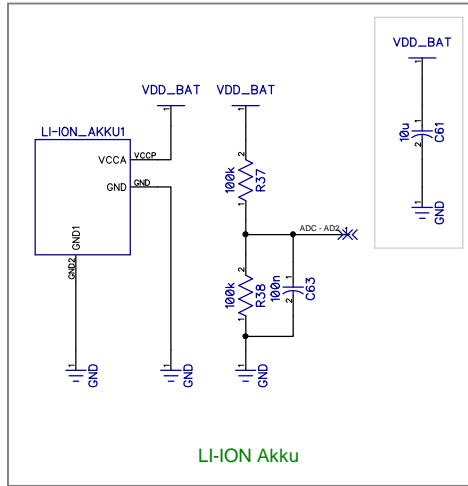


Quantity	NOSON HANDHELD BOARD			v2.0	
Designed by Zippi	Checked by	File name NOSON_2.0.dch	Date 12/08/10	Scale 1:1	
				Edition 1	Sheet 3/5

A

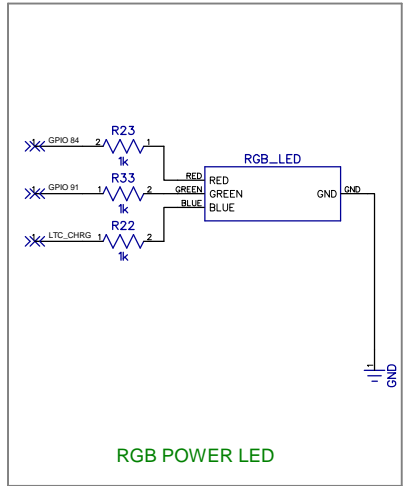


B

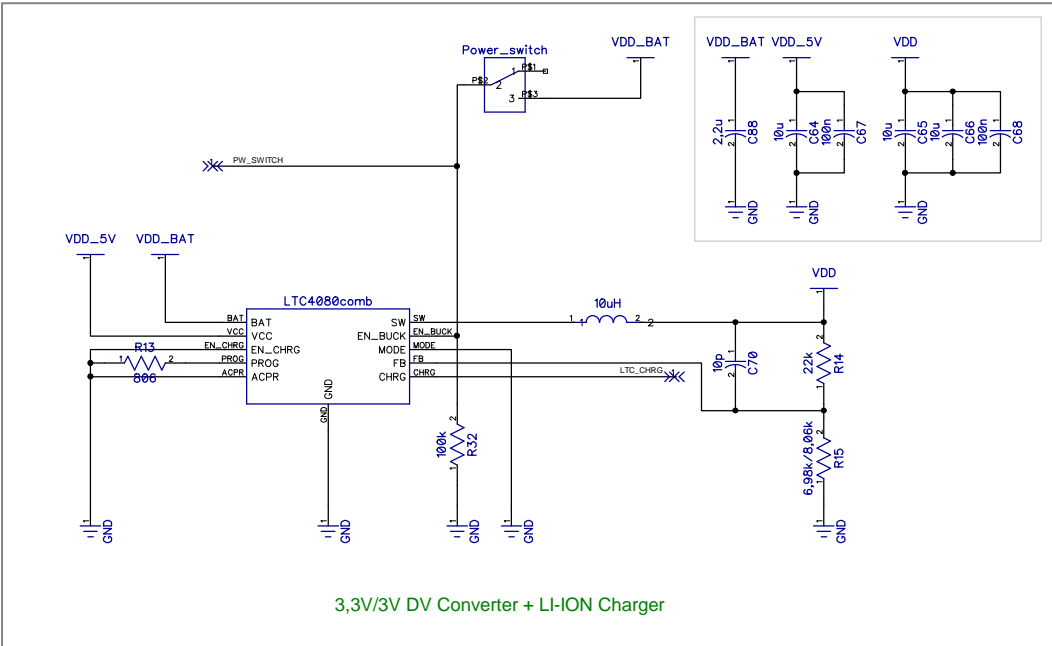


A

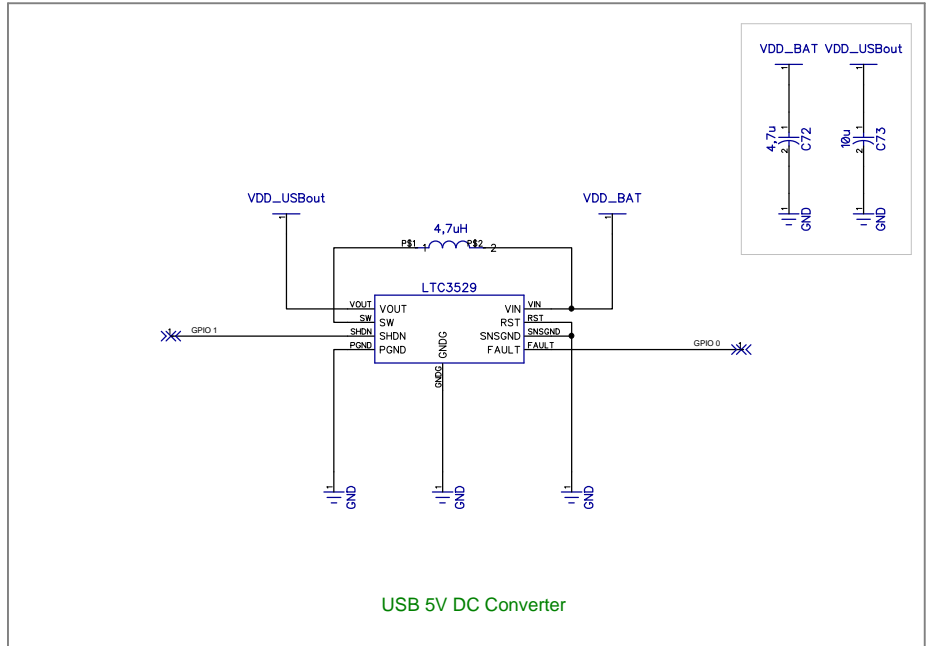
B



C



D



C

D

E

E

F

F

Quantity	NOSON HANDHELD BOARD			v2.0	
Designed by Zippi	Checked by		File name NOSON_2.0.dch	Date 12/08/10	Scale 1:1
				Edition 1	Sheet 4/5

A

B

C

D

E

F

A

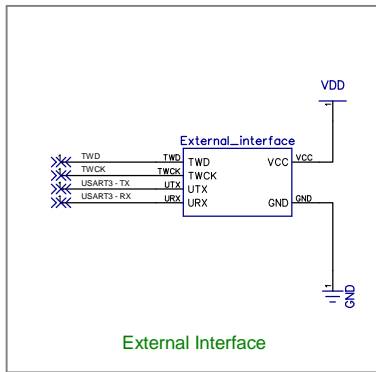
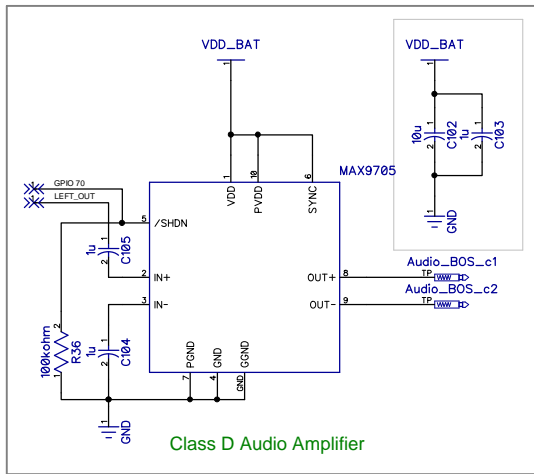
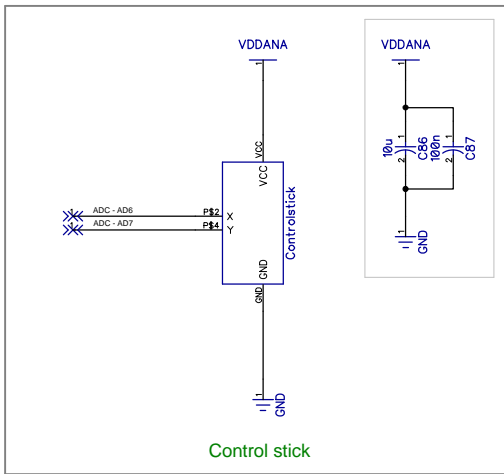
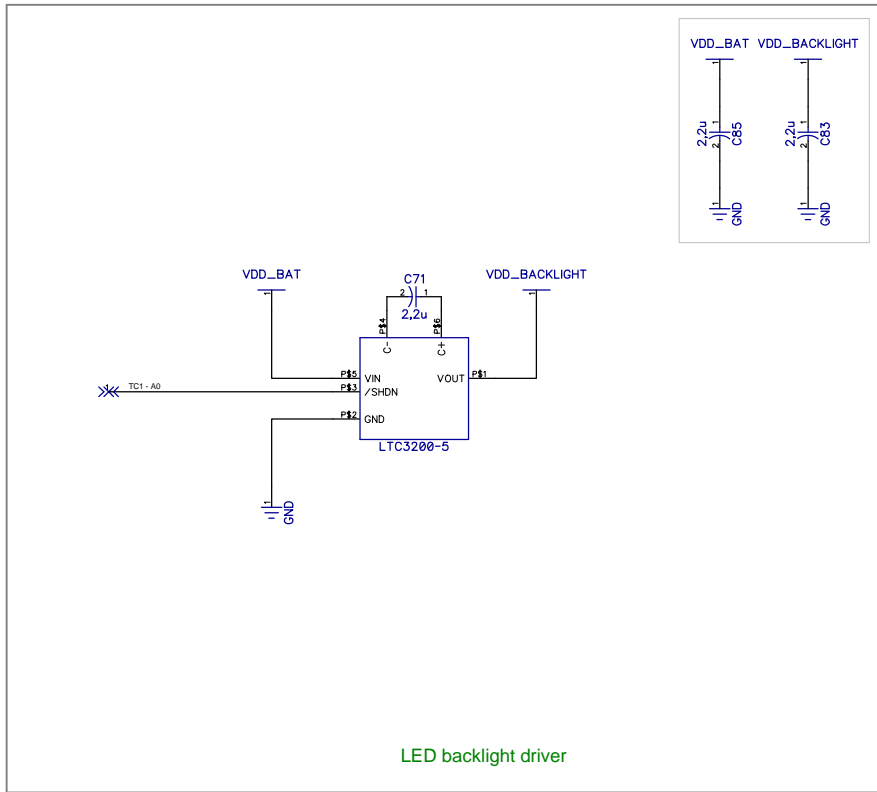
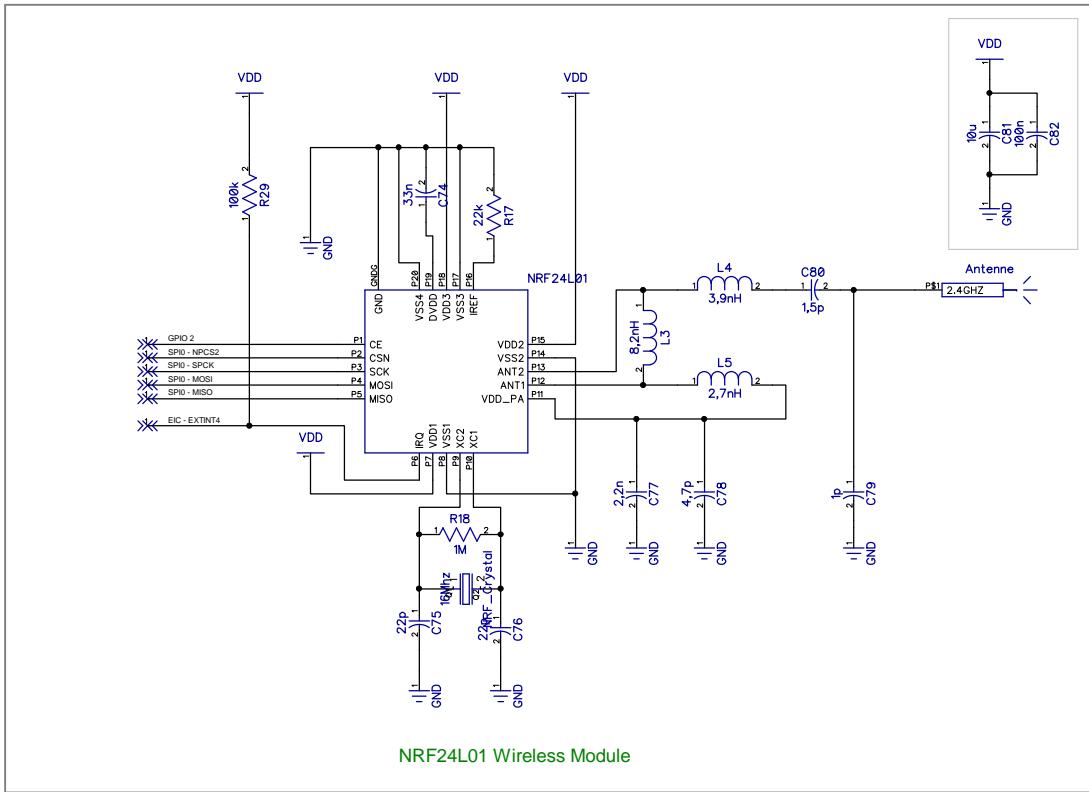
B

C

D

E

F



Quantity	NOSON HANDHELD BOARD			v2.0	
Designed by Zippi	Checked by	File name NOSON_2.0.dch	Date 12/08/10	Scale 1:1	
			Edition 1	Sheet 5/5	