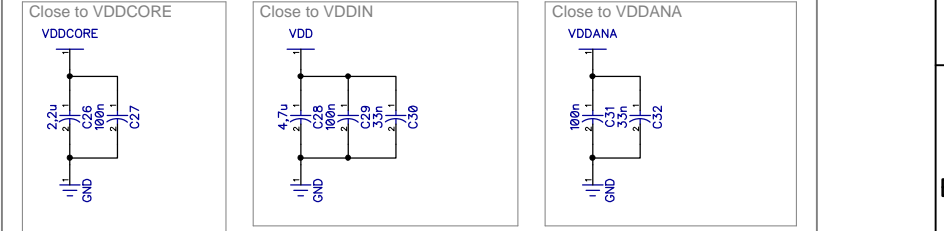
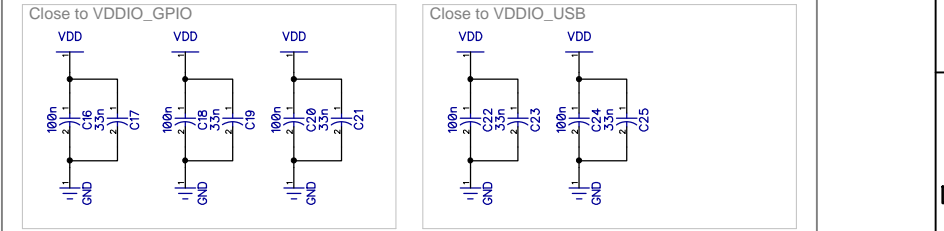
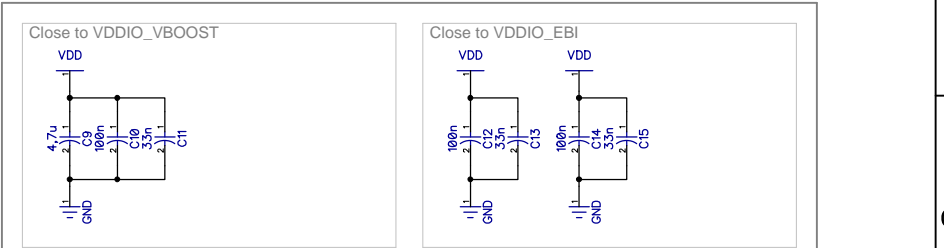
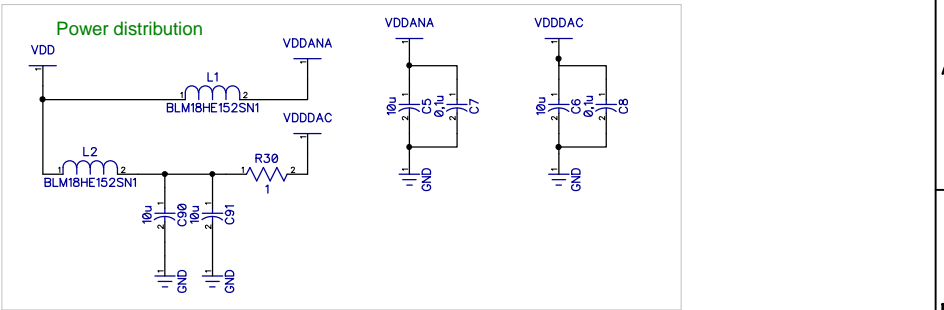


RevNo	Revision note	Date	Signature	Checked
-------	---------------	------	-----------	---------



Decoupling capacitors

Quantity:	25	NOSON HANDHELD BOARD		v2.0	
Designed by	Zippi	Checked by		File name	NOSON_2.0.dch
				Date	20/08/10
				Scale	1:1
				Edition	3
				Sheet	1/5

1

2

3

4

5

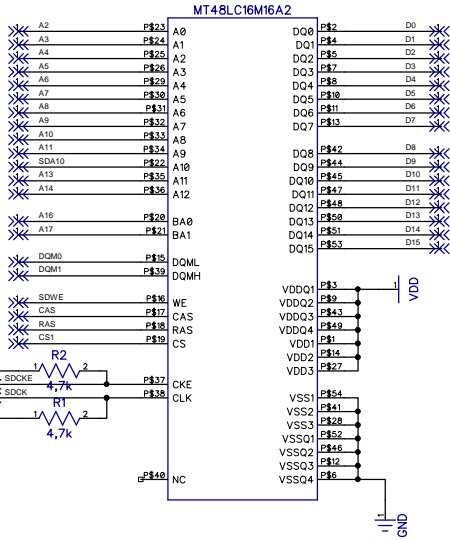
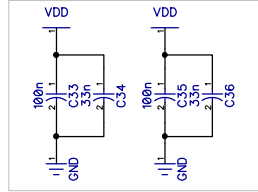
6

7

8

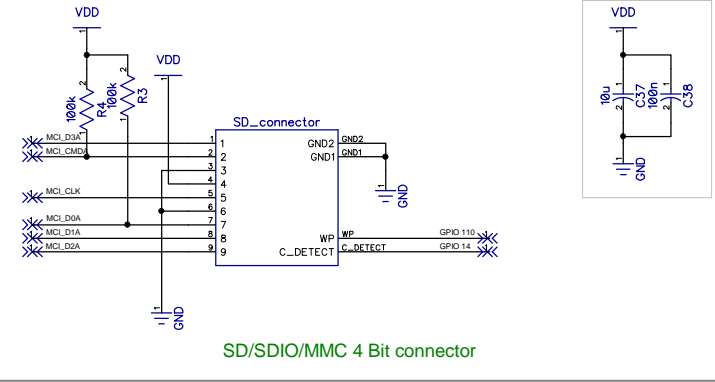
RevNo	Revision note	Date	Signature	Checked
-------	---------------	------	-----------	---------

A



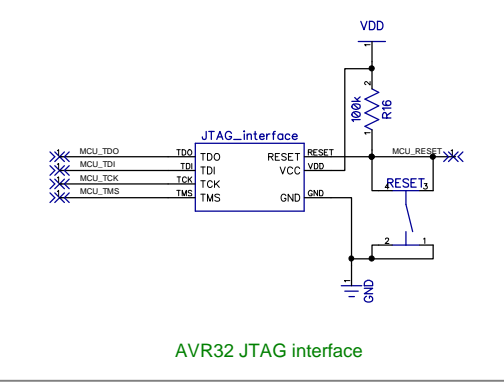
SDRAM 256 MBIT

B



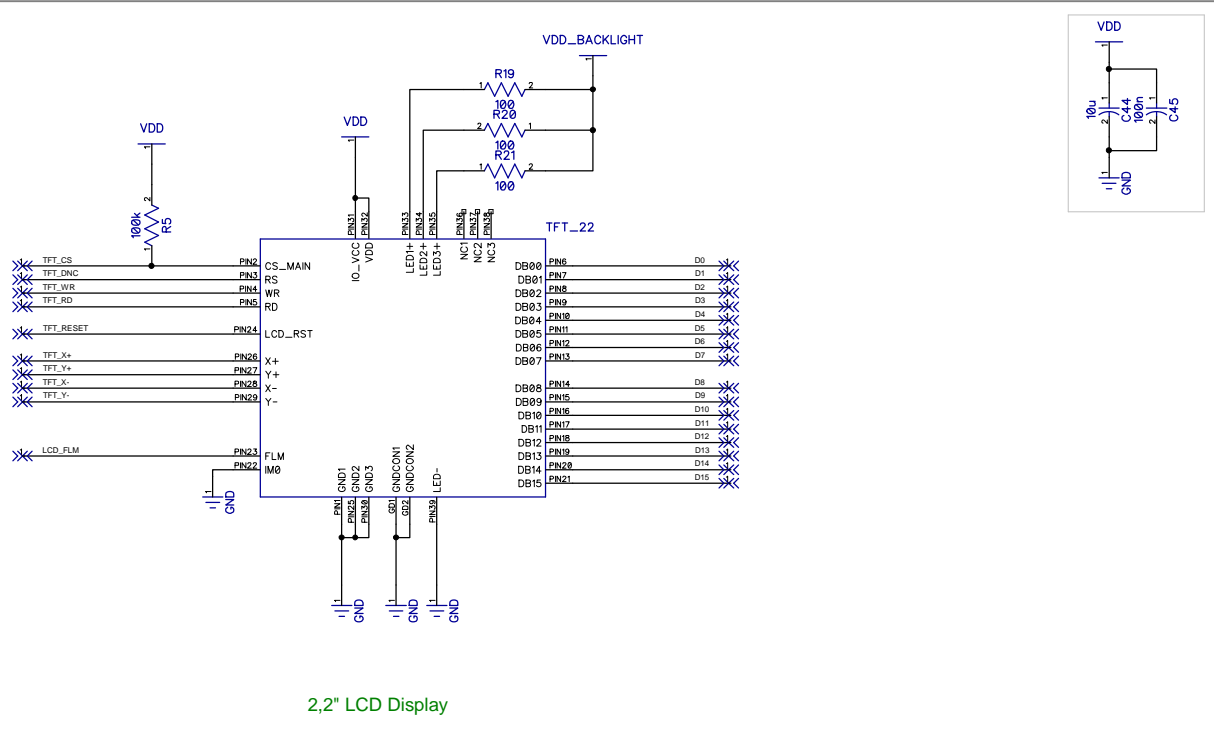
SD/SDIO/MMC 4 Bit connector

C



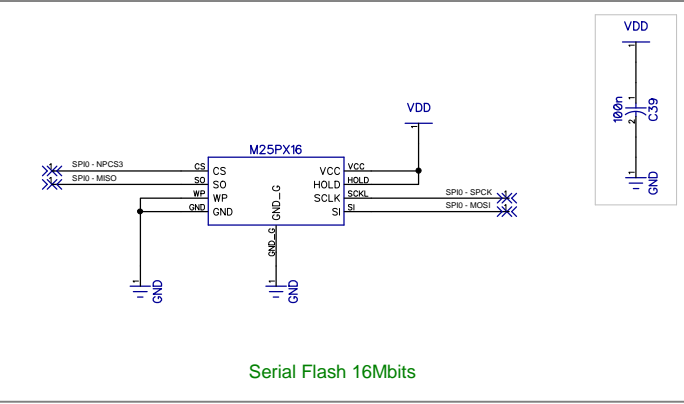
AVR32 JTAG interface

D



2.2" LCD Display

F



Serial Flash 16Mbits

Quantity:	25	NOSON HANDHELD BOARD			v2.0
Designed by	Zippi	Checked by		File name	NOSON_2.0.dch
				Date	20/08/10
				Scale	1:1
				Edition	3
				Sheet	2/5

1

2

3

4

5

6

7

8

1

2

3

4

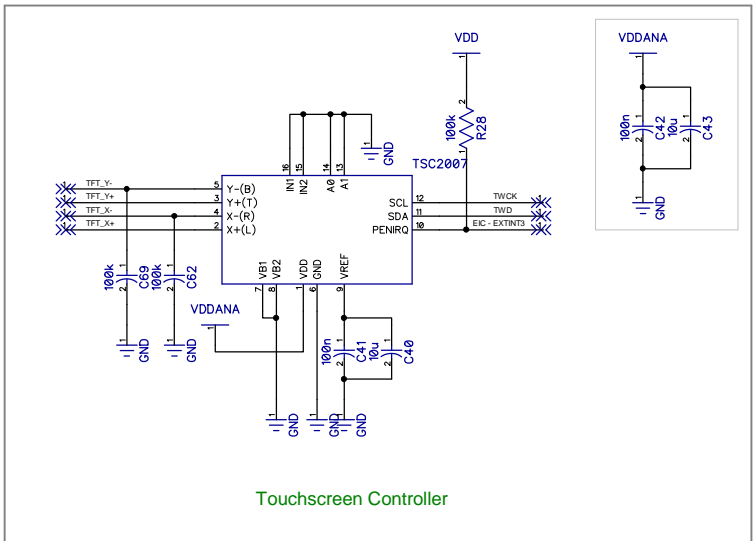
5

6

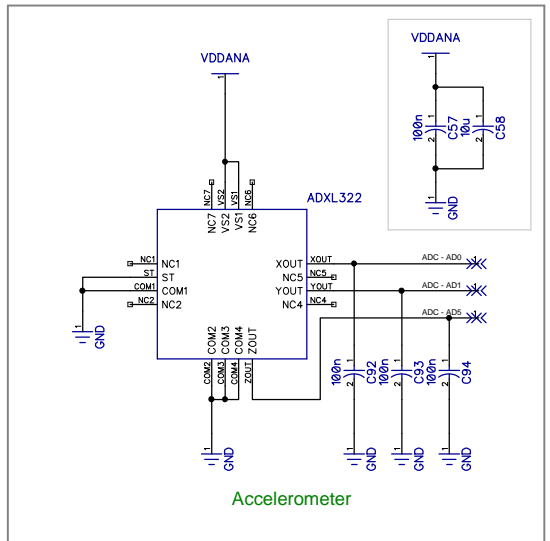
7

8

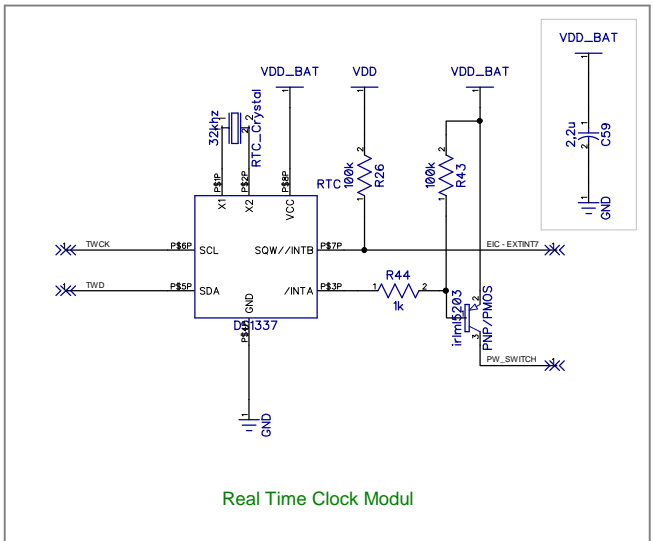
A



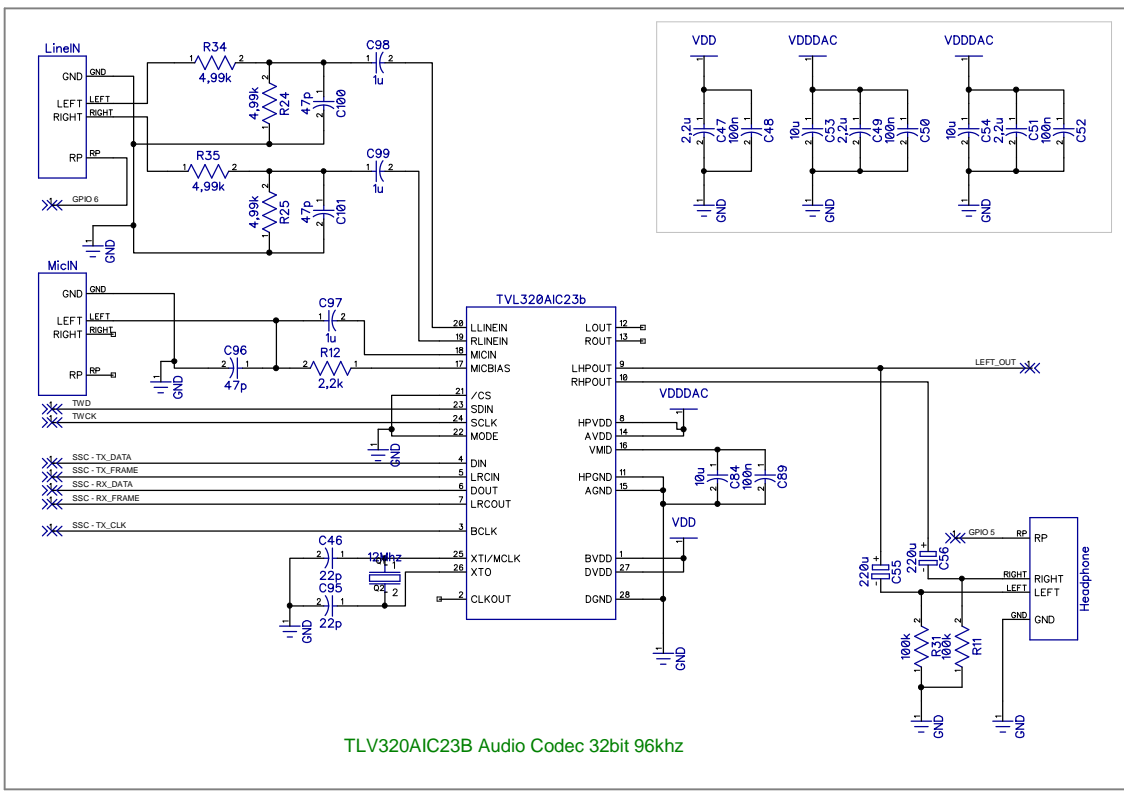
B



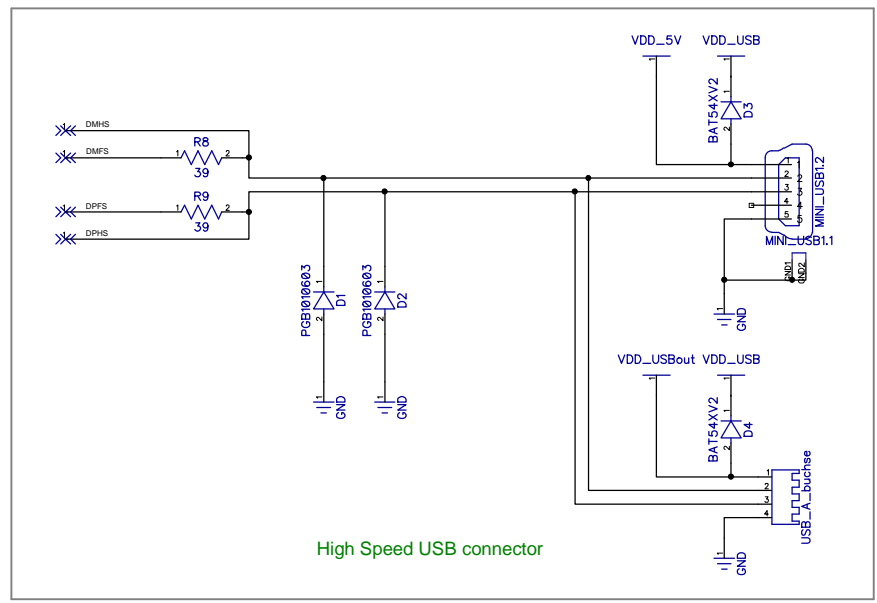
C



D



E



F

Quantity:	25	NOSON HANDHELD BOARD		v2.0	
Designed by	Zippi	Checked by		File name	NOSON_2.0.dch
				Date	20/08/10
				Scale	1:1
				Edition	3
				Sheet	3/5

1

2

3

4

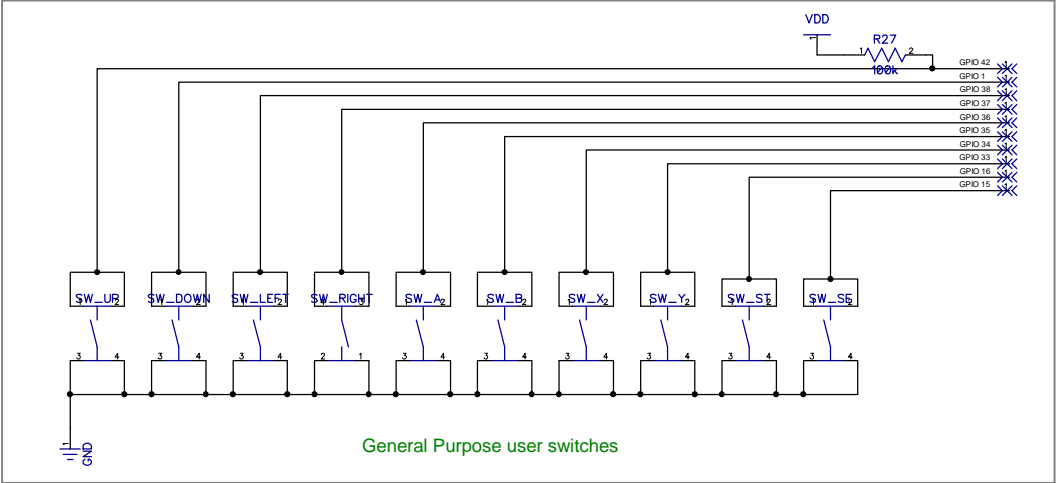
5

6

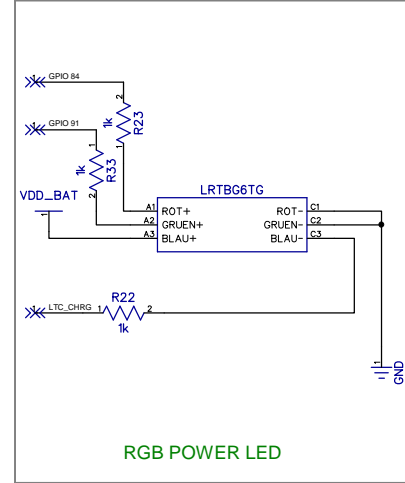
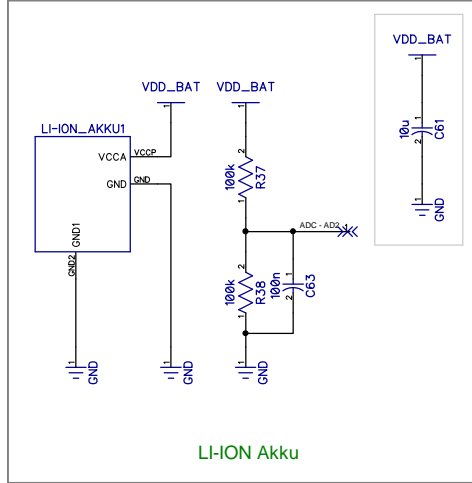
7

8

A



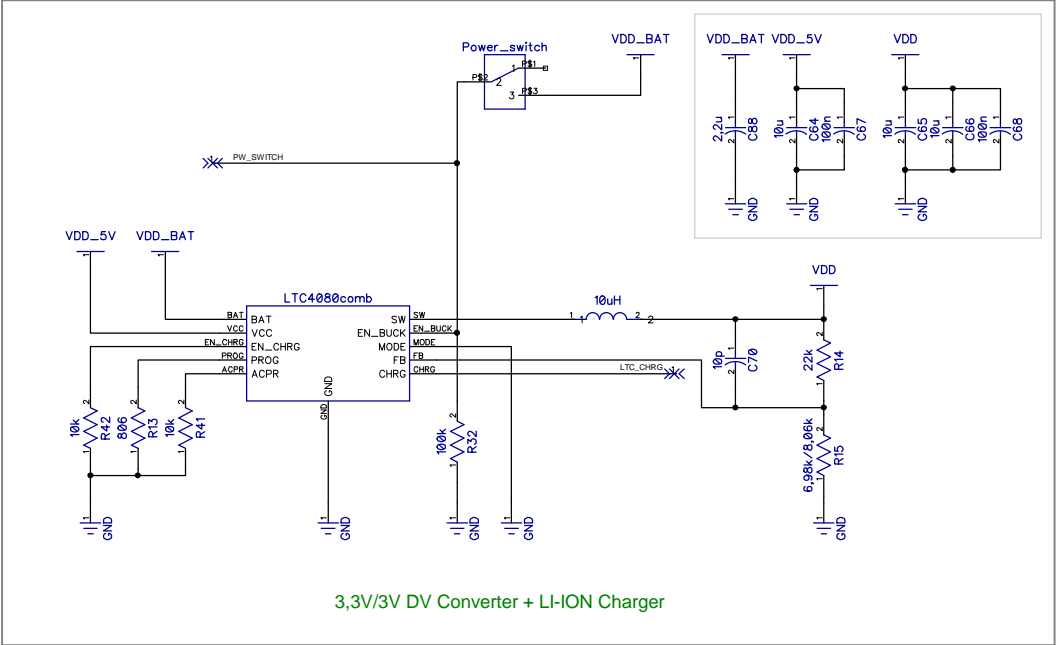
B



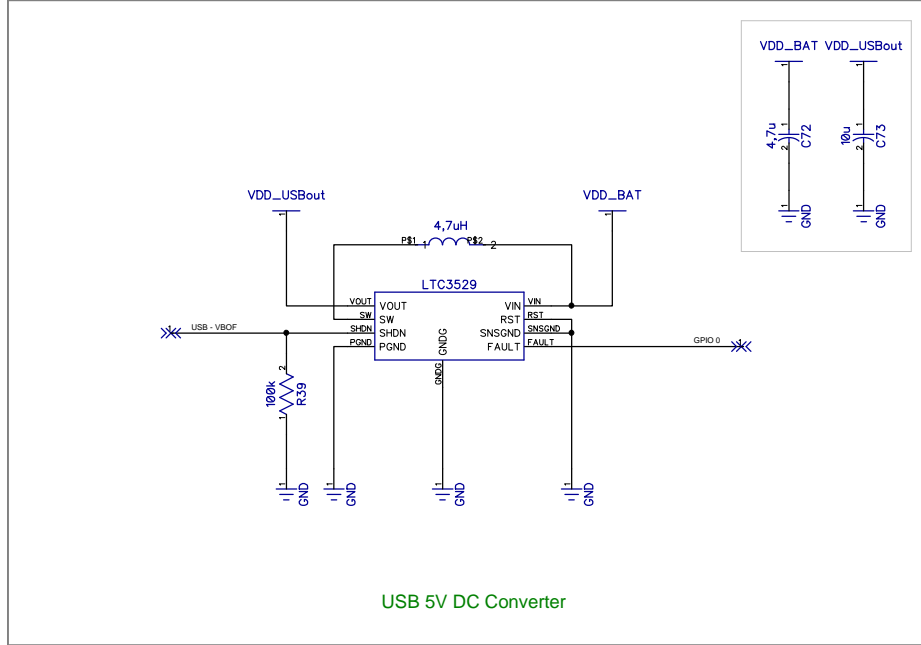
A

B

C



D



C

D

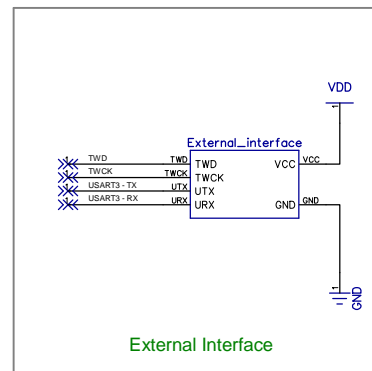
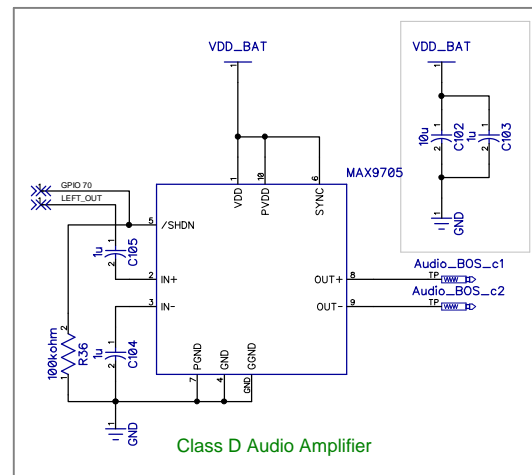
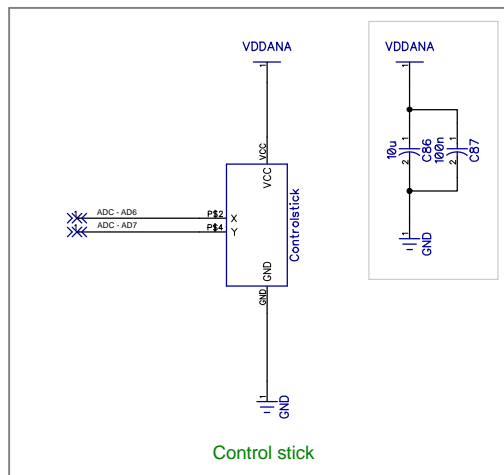
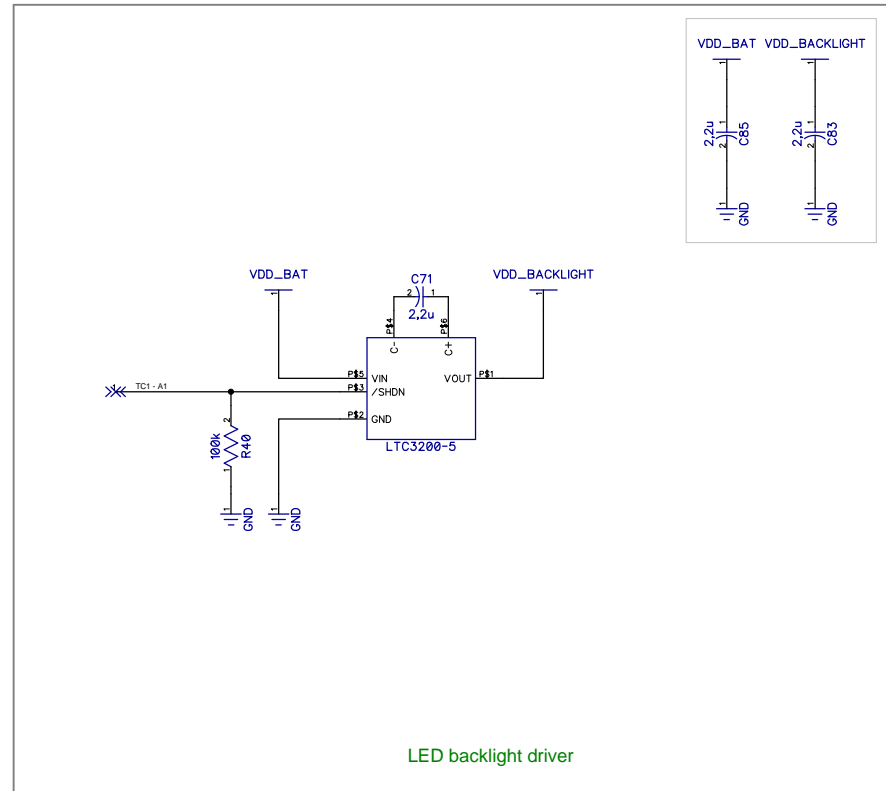
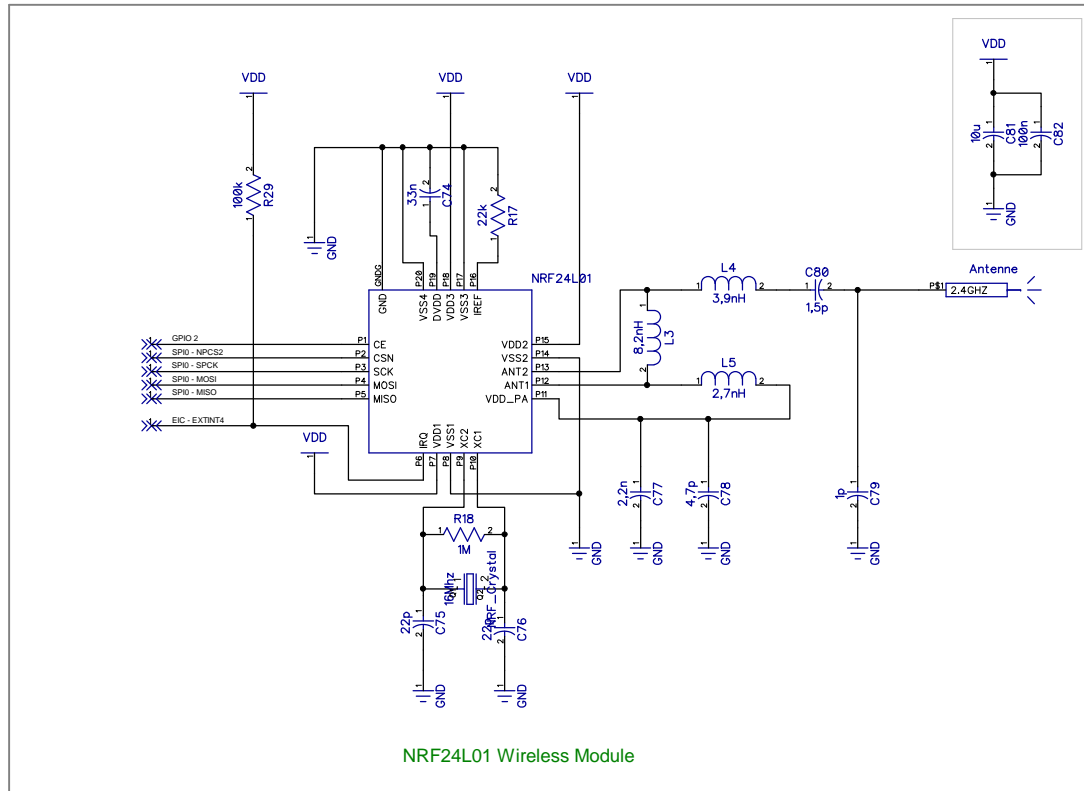
E

E

F

F

Quantity:	25	NOSON HANDHELD BOARD			v2.0
Designed by	Zippi	Checked by		File name	NOSON_2.0.dch
				Date	20/08/10
				Scale	1:1
				Edition	3
				Sheet	4/5



Quantity:	25	NOSON HANDHELD BOARD		v2.0	
Designed by	Zippi	Checked by		File name	NOSON_2.0.dch
				Date	20/08/10
				Edition	3
				Sheet	5/5