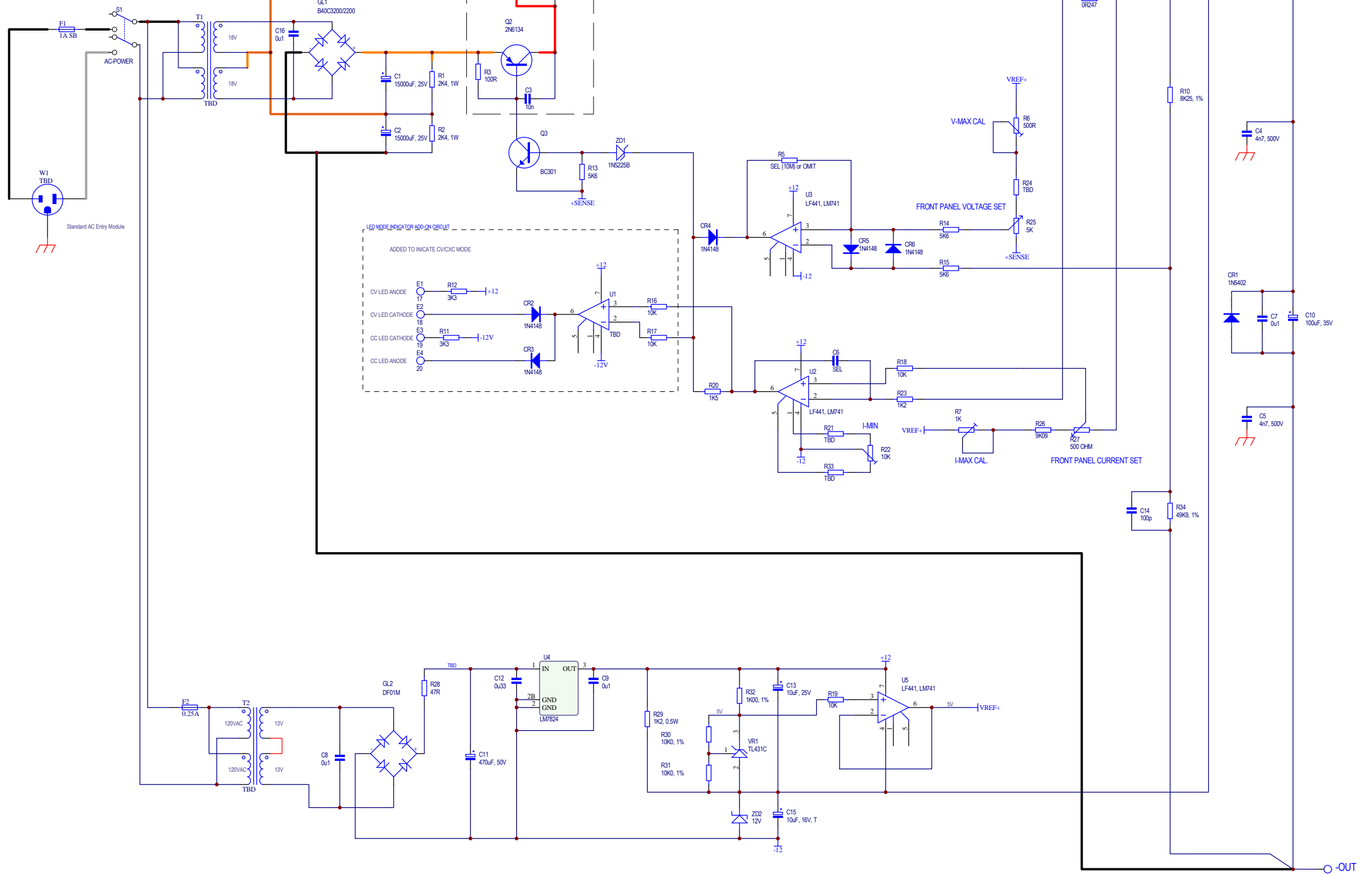


NOTE: WIRED FOR 120VAC, 60 HZ



Note: Unless otherwise specified, all values are as follows:
 resistor values are in Ohms, i.e. 0R47, 5R6, 22K, 5K6, 22K
 capacitor values are in Microfarads, i.e. 220p, 0u1, 2u2, 33
 inductor values are in Microhenries, i.e. 0u22, 5u6, 68, 2m2

Last Used Components	

Name:	FS12/73 Labornetzgeraet (Neu)	Proj. No.:	07030G
Title:	GESAMTSCHALTUNG	Date:	28-Sep-2010
Size:	B	Draw. No.:	07030G-FSNG-E01
Modified:		Rev.:	1
Approved:		Sheet:	1 of 1