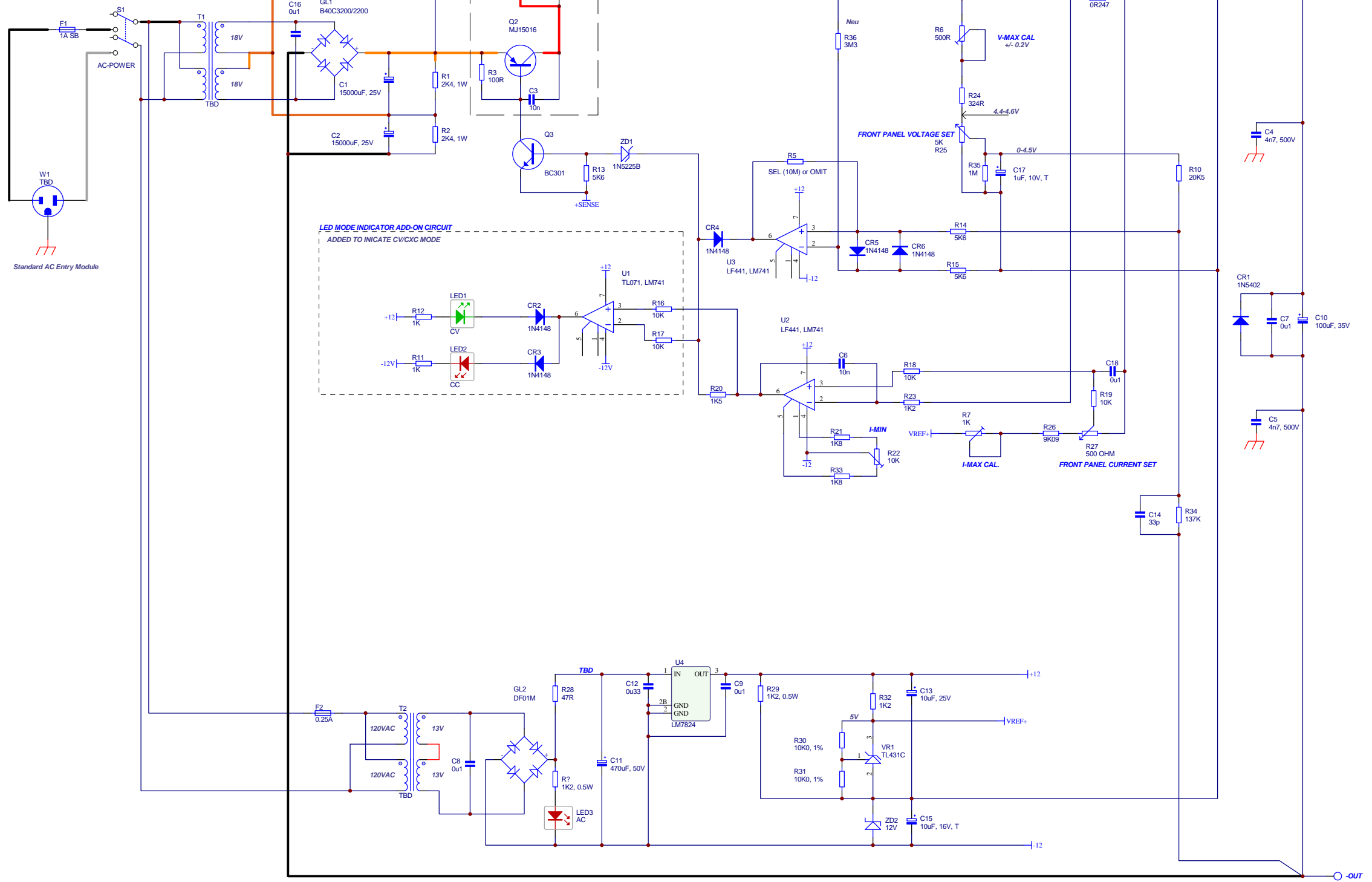


NOTE: WIRED FOR 120VAC, 60 HZ



Note: Unless otherwise specified, all values are as follows: resistor values are in Ohms, i.e. 0R47, 5R6, 22K, 5K6, 22K capacitor values are in Microfarads, i.e. 220p, 0u1, 2u2, 33 inductor values are in Microhenries, i.e. 0u22, 5u6, 68, 2m2		Name: FS12/73 Labornetzgeraet (Neu) Title: GESAMTSCHALTUNG Size: B	Pj. No.: 07030G Date: 30-Sep-2010 Rev: 4
Modified: _____ Approved: _____	Last Change: _____ PCB Name: _____	Last Used Components: _____ Scale: _____ By: _____	File: Neu_FS12/73.sch Time: 06.02.27