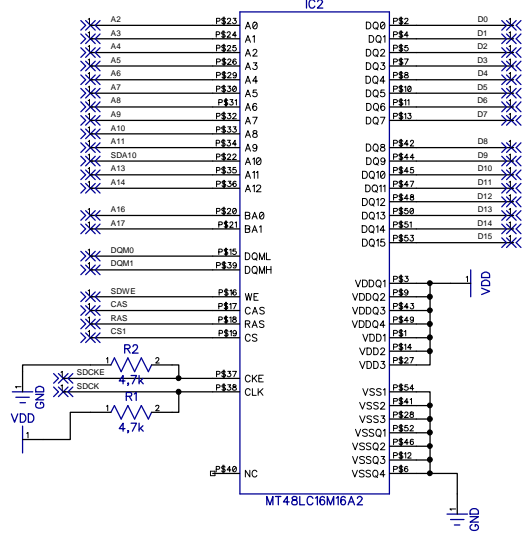
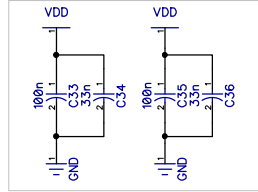
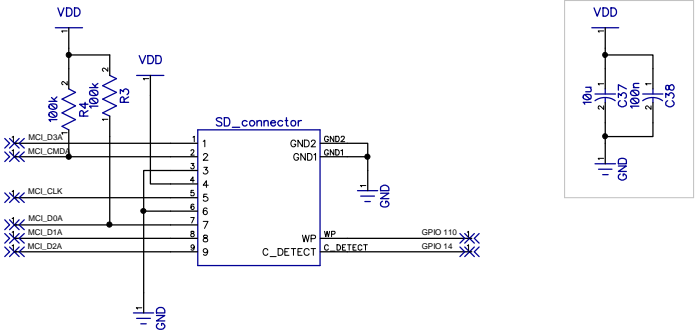


Decoupling capacitors

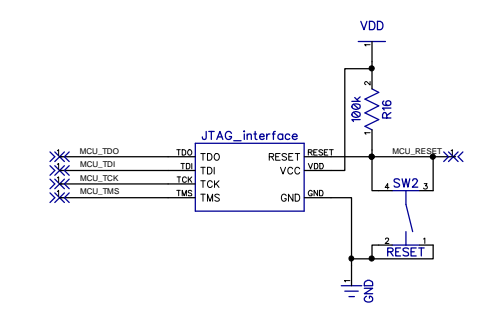
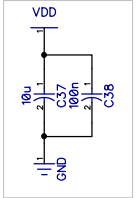
Quantity:	25	OPAL HANDHELD BOARD		v2.0	
Designed by	Zippi	Checked by		File name	OPAL_2.0.dch
				Date	26/11/10
				Scale	1:1
				Edition	5
				Sheet	1/5



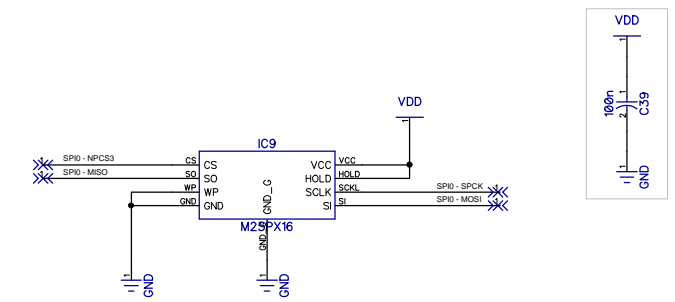
SDRAM 256 MBIT



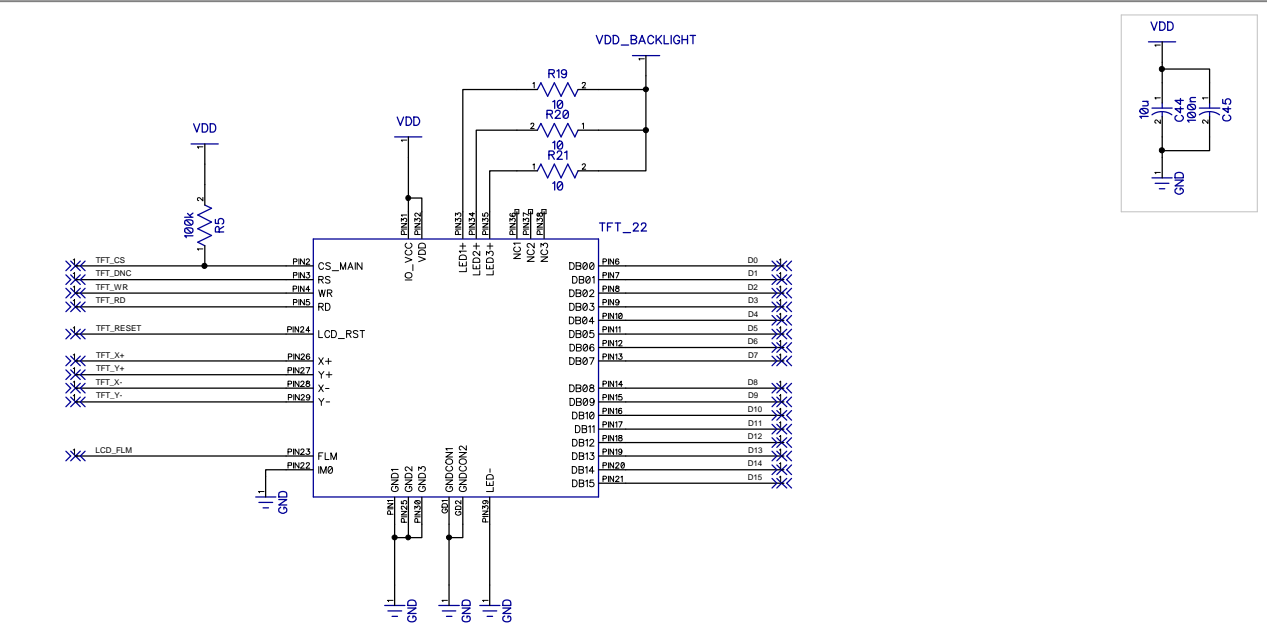
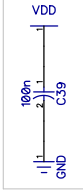
SD/SDIO/MMC 4 Bit connector



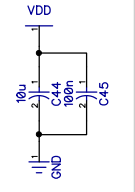
AVR32 JTAG interface



Serial Flash 16Mbits



2,2" LCD Display



Quantity:	25	OPAL HANDHELD BOARD		v2.0	
Designed by	Zippi	Checked by		File name	OPAL_2.0.dch
				Date	26/11/10
				Scale	1:1
				Edition	5
				Sheet	2/5

1

2

3

4

5

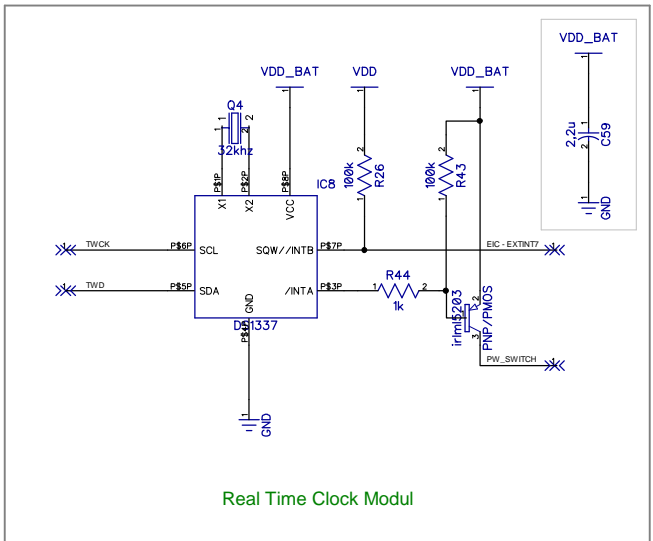
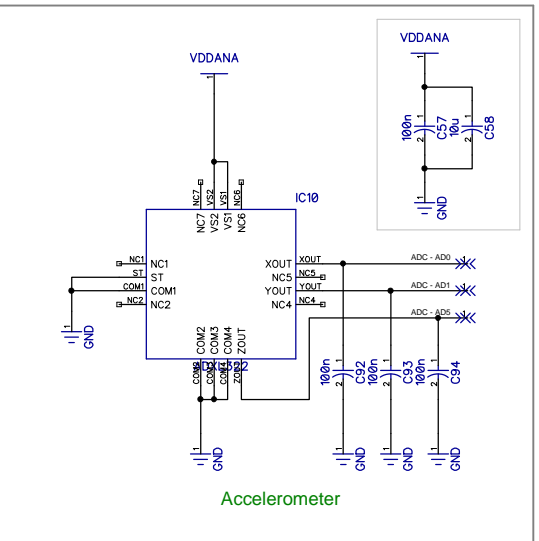
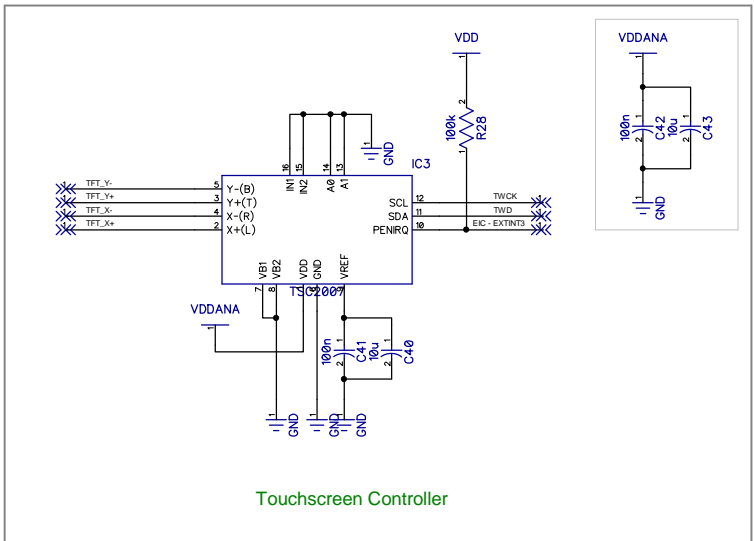
6

7

8

A

A

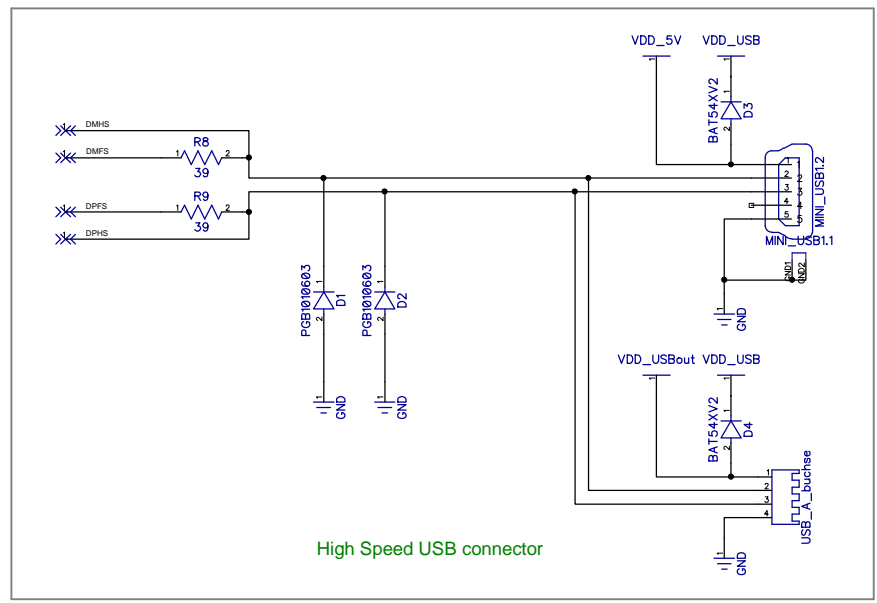
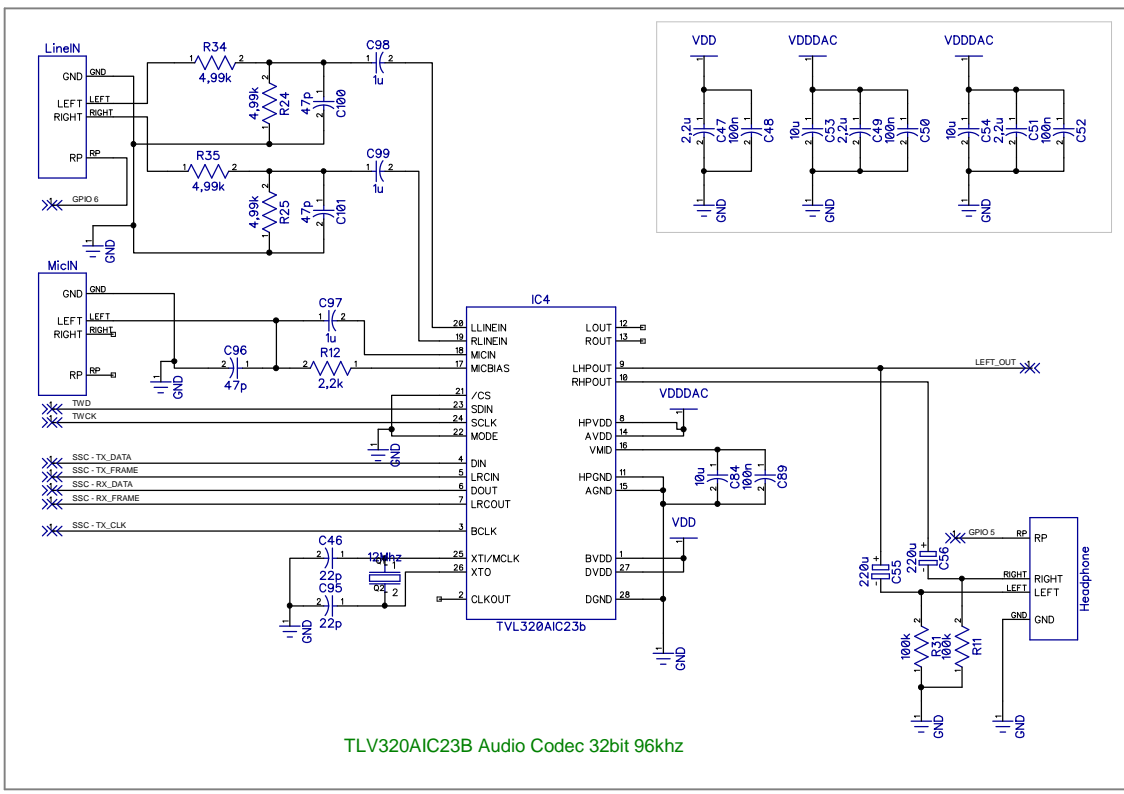


B

B

C

C



D

D

E

E

F

F

Quantity:	25	OPAL HANDHELD BOARD		v2.0	
Designed by	Zippi	Checked by		File name	OPAL_2.0.dch
				Date	26/11/10
				Scale	1:1
				Edition	5
				Sheet	3/5

1

2

3

4

5

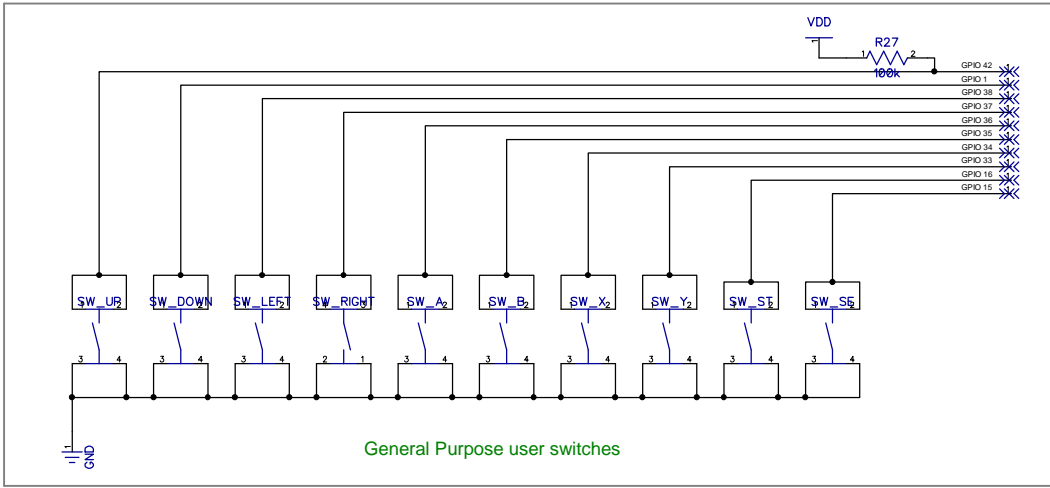
6

7

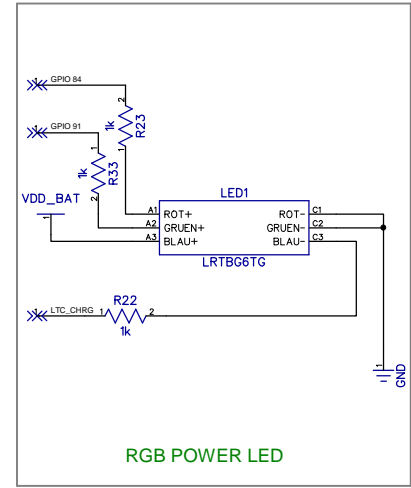
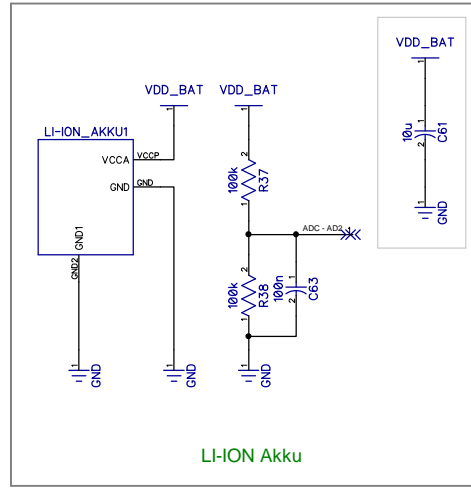
8

RevNo	Revision note	Date	Signature	Checked
-------	---------------	------	-----------	---------

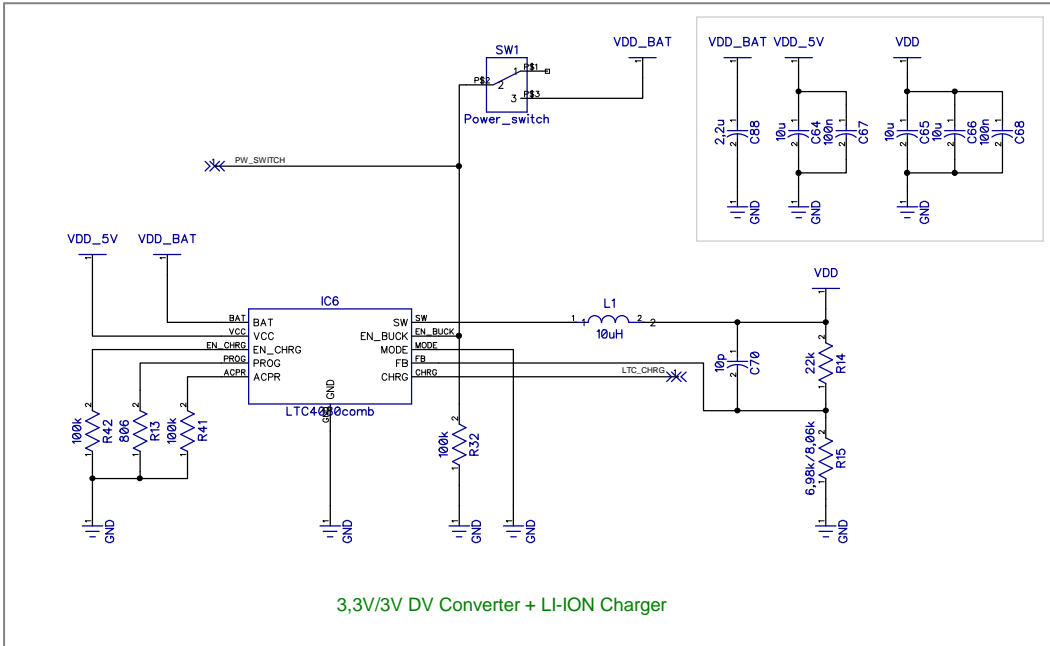
A



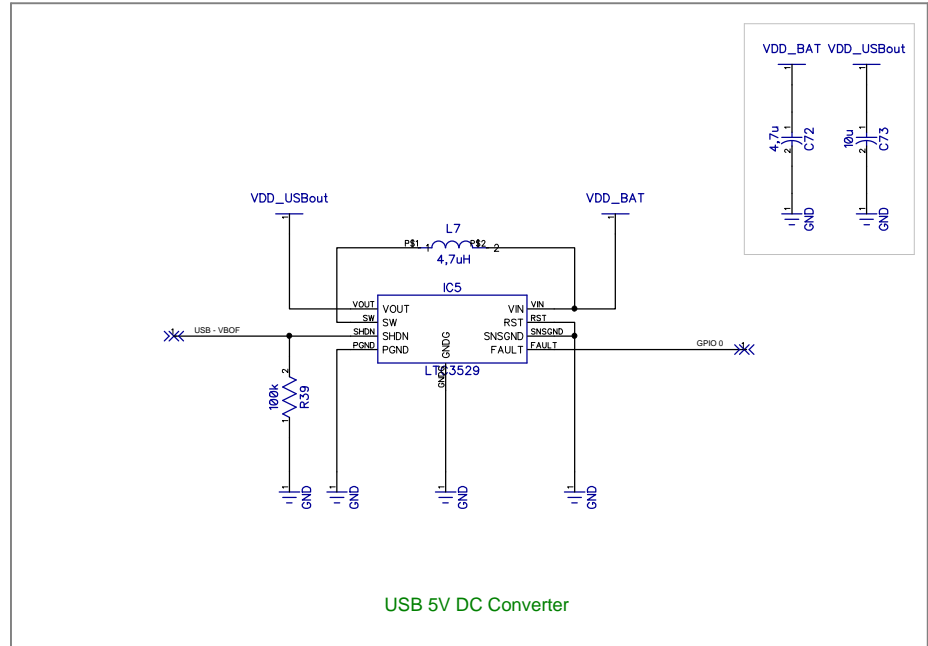
B



C



D



E

F

Quantity:	25	OPAL HANDHELD BOARD		v2.0	
Designed by	Zippi	Checked by		File name	OPAL_2.0.dch
				Date	26/11/10
				Scale	1:1
				Edition	5
				Sheet	4/5

1

2

3

4

5

6

7

8

A

B

C

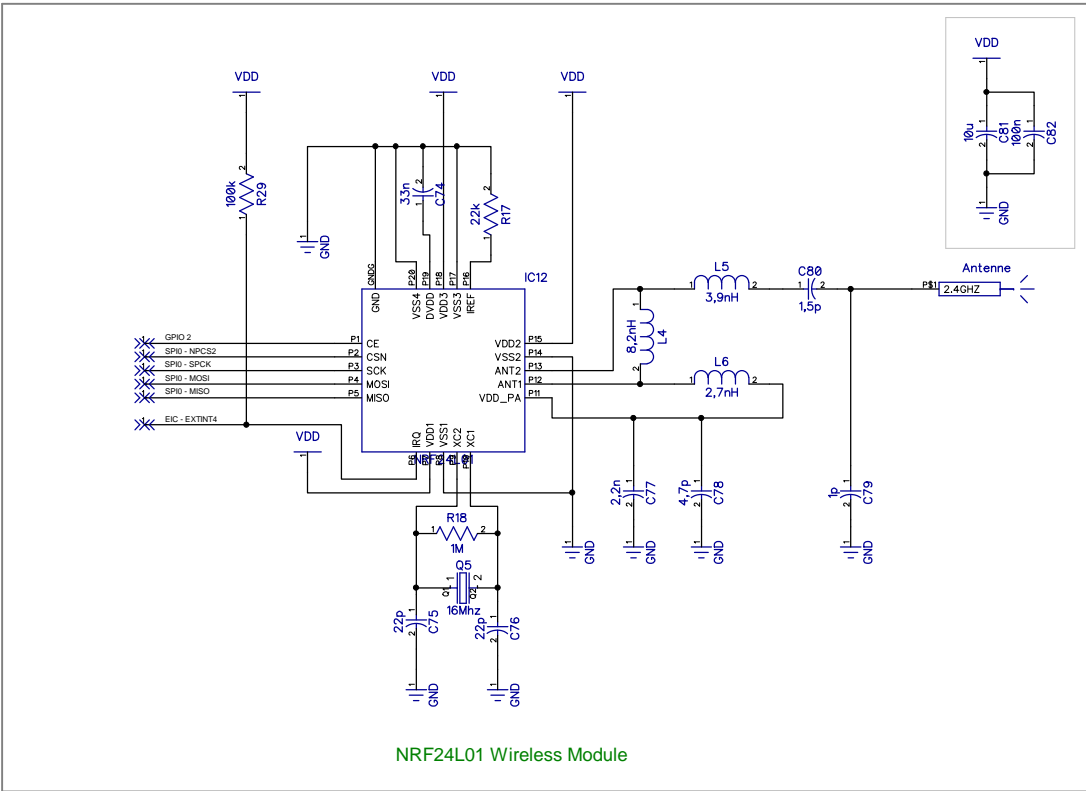
D

E

F

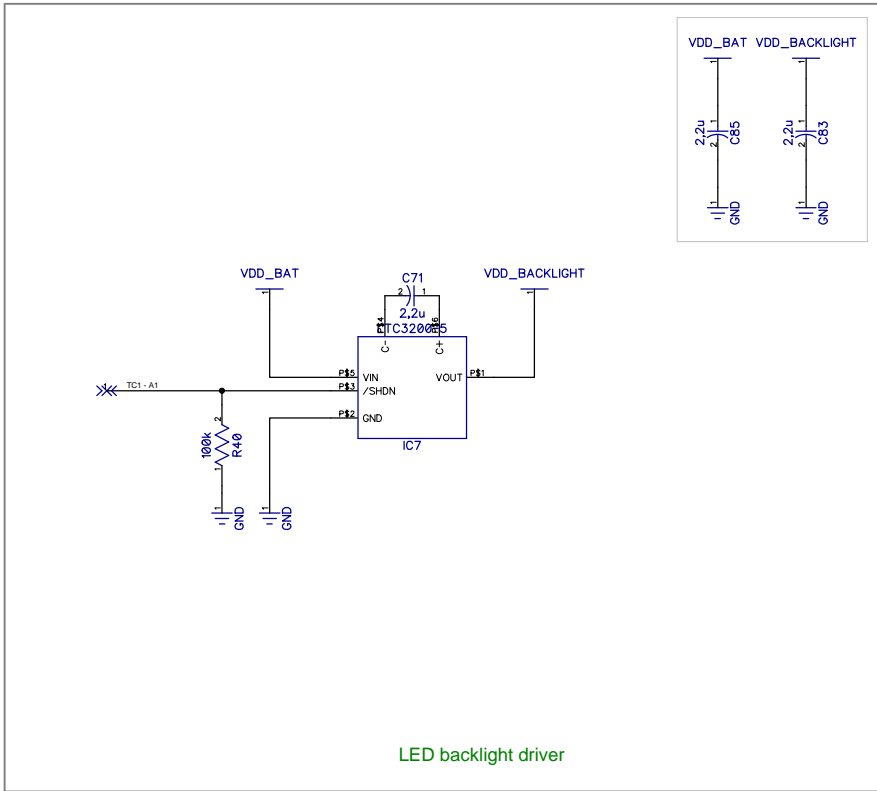
A

A



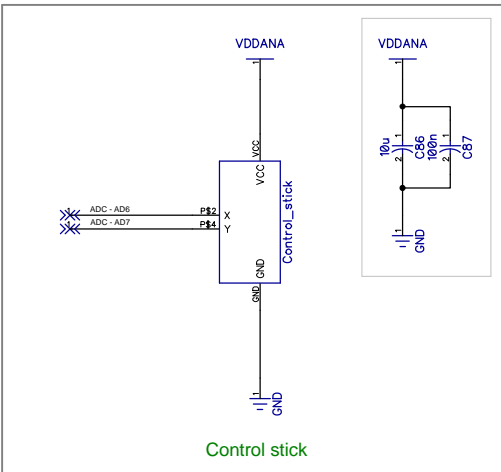
B

B



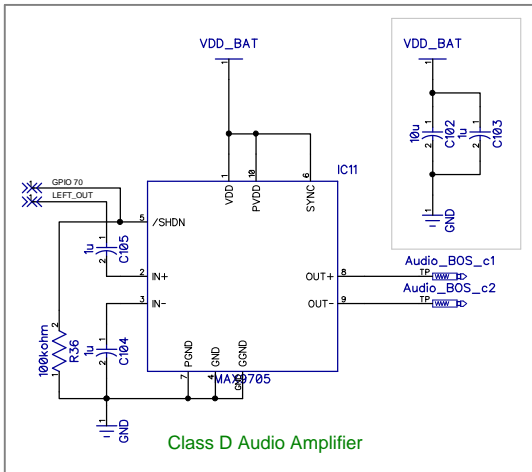
C

C



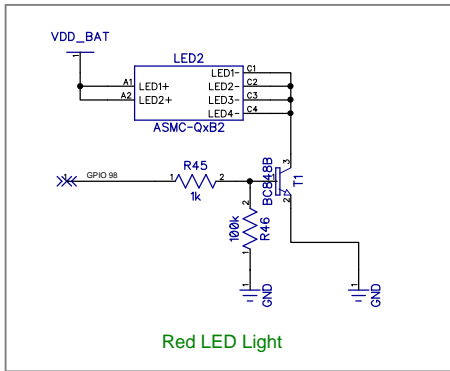
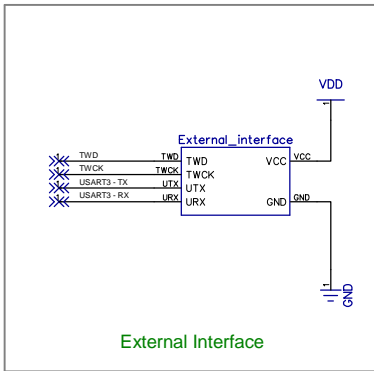
E

E



F

F



Quantity:	25	OPAL HANDHELD BOARD		v2.0	
Designed by	Zippi	Checked by		File name	OPAL_2.0.dch
				Date	26/11/10
				Scale	1:1
				Edition	5
				Sheet	5/5