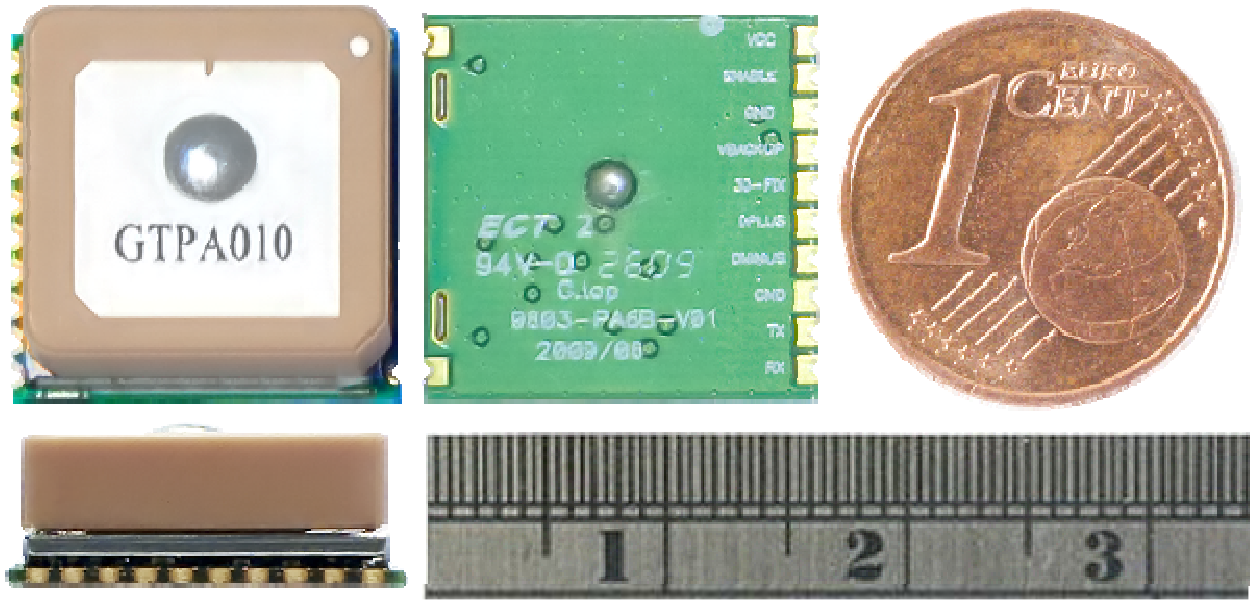


MEDIATEK -  
3329  
Datasheet

Rev.A03



**66-channel GPS Engine Board**  
**Antenna Module**  
***with MTK Chipset***

**MEDIATEK-3329**

MEDIATEK-  
3329  
Datasheet

Rev.A03

History		
Date	Rev.	Description
2009/07/10	A00	First Release
2009/07/23	A01	Add RoHS Compliant
2010/03/23	A02	Add Packing and Handling Section, plus SMT and soldering cautions
2010/04/30	A03	Page 10: Reference design circuit Page 17: Modify for RMC Magnetic Variation data

# MEDIATEK- 3329 Datasheet

Rev.A03

## Description

The MEDIATEK-3329 is an ultra-compact POT (Patch On Top) GPS Module. This POT GPS receiver provides a solution that is high in position and speed accuracy performances, with high sensitivity and tracking capabilities in urban conditions. The GPS chipset inside the module is powered by MediaTek Inc., the world's leading digital media solution provider and the largest fab-less IC company in Taiwan. The module can support up to 66 channels, and is designed for small-form-factor device. It is suitable for every GPS-related application, such as:

- Fleet Management/Asset Tracking
- LBS (location-base service) and AVL system
- Security system
- Hand-held device for personal positioning and travel navigation

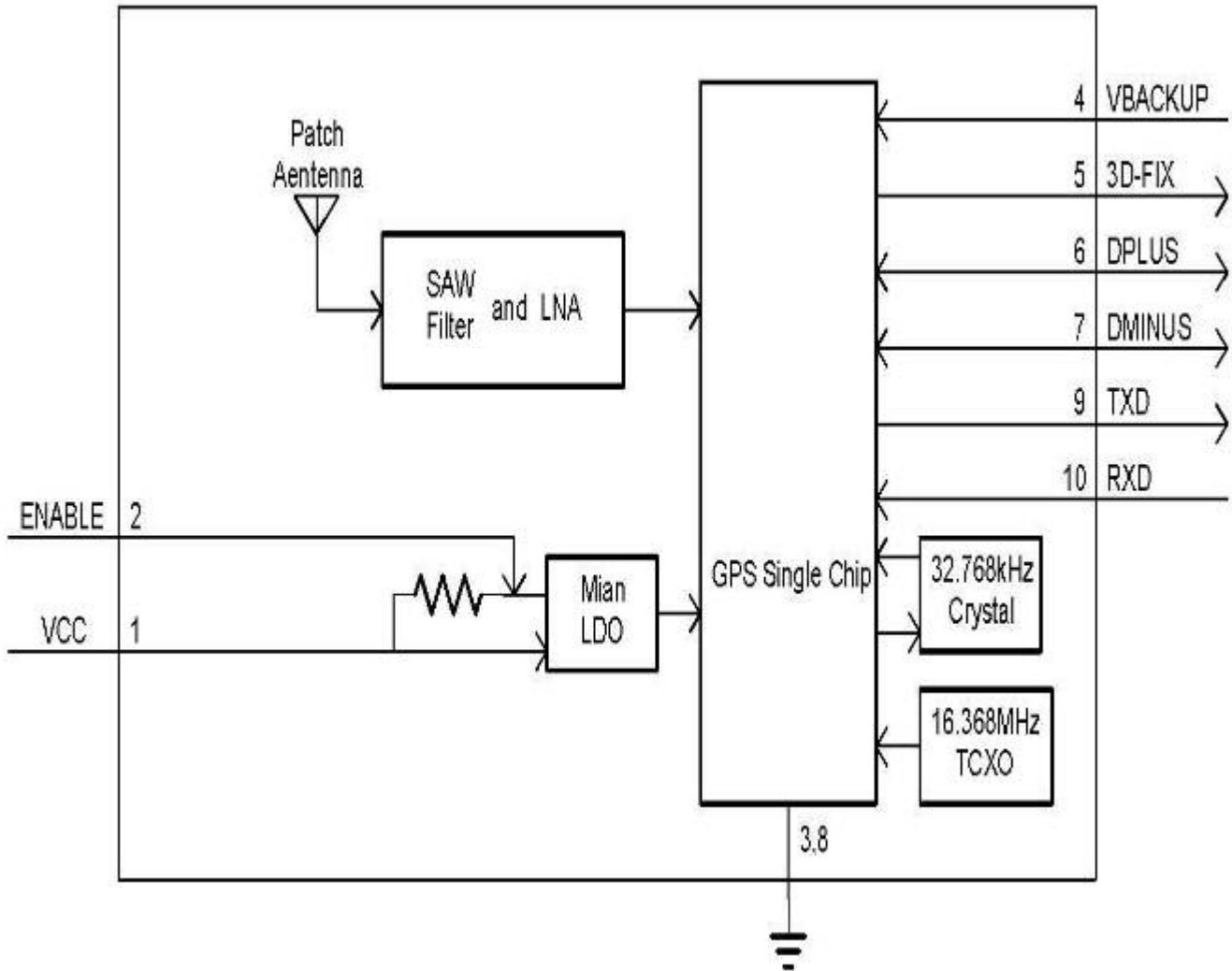
## Features

- MediaTek MT3329 Single Chip
- L1 Frequency, C/A code, 66 channels
- Support up 210 PRN channels
- Jammer detection and reduction
- Multi-path detection and compensation
- Dimension: 16mm x 16mm x 6mm
- Patch Antenna Size: 15mm x 15mm x 4mm
- High Sensitivity: Up to -165 dBm tracking, superior urban performances<sup>1</sup>
- Position Accuracy: Without aid: 3m 2D-RMS  
DGPS (RTM,SBAS(WAAS,EGNOS,MASA)):2.5m 2D-RMS
- Low Power Consumption: 48mA @ acquisition, 37mA @ tracking
- Low Shut-Down Power Consumption: 15uA, typical
- DGPS(WAAS/EGNOS/MSAS/GAGAN) support (Default: Enable)
- Max. Update Rate: up to 10Hz (Configurable by firmware)
- USB Interface support without extra bridge IC
- FCC E911 compliance and AGPS support (Offline mode : EPO valid up to 14 days )
- RoHS Compliant

# MEDIATEK-3329 Datasheet

## System Block

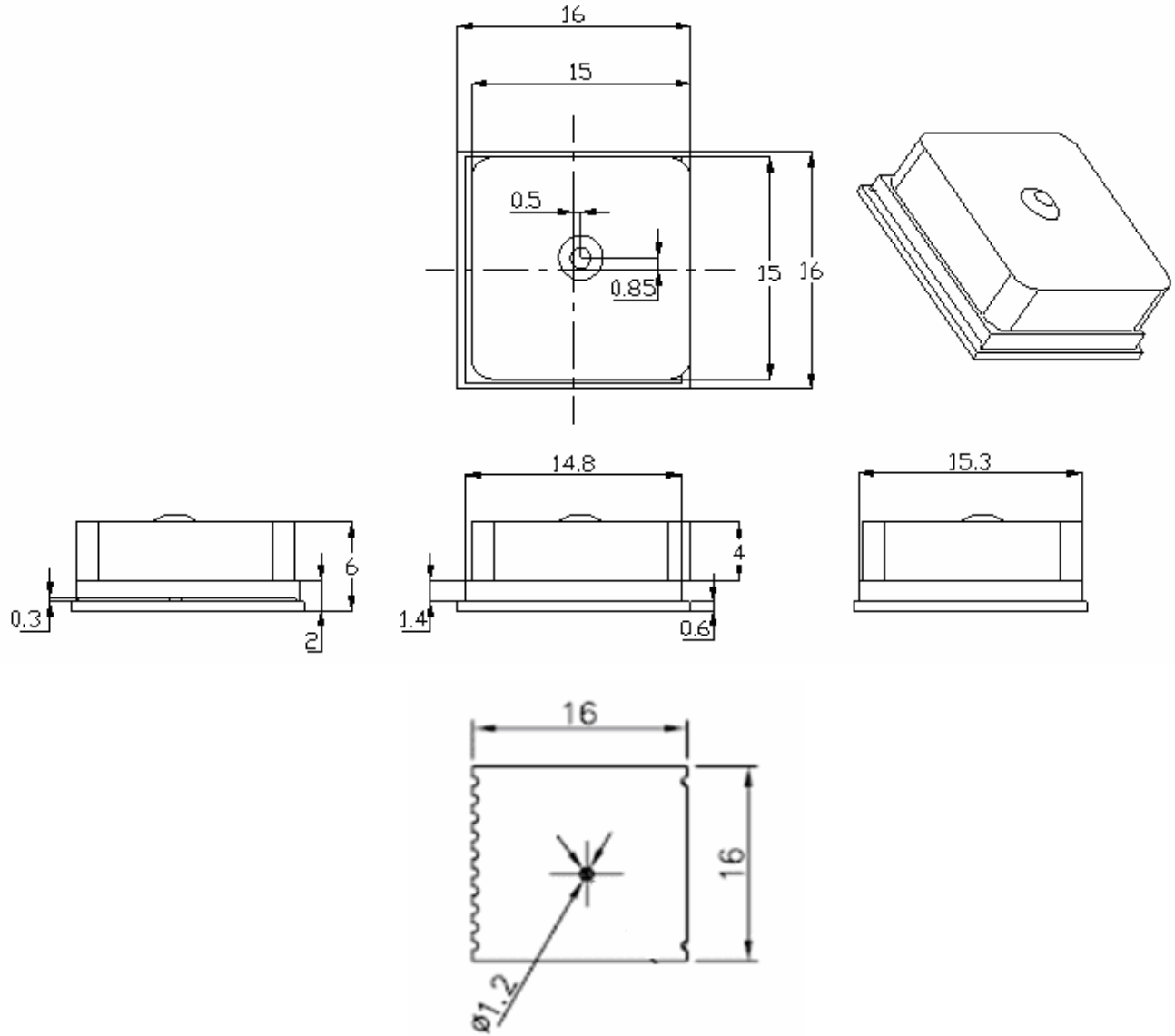
Rev.A03



# MEDIATEK-3329 Datasheet

Rev.A03

## Mechanical

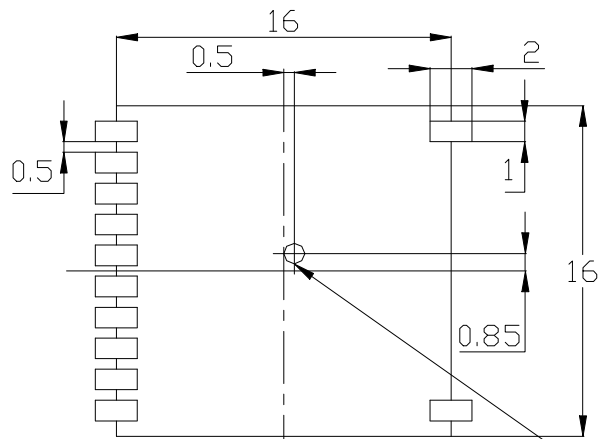


Unit: mm

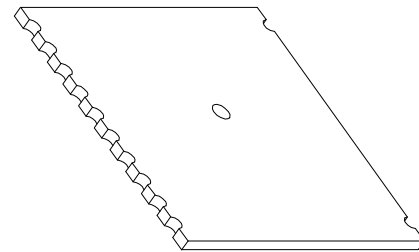
# MEDIATEK- 3329 Datasheet

Rev.A03

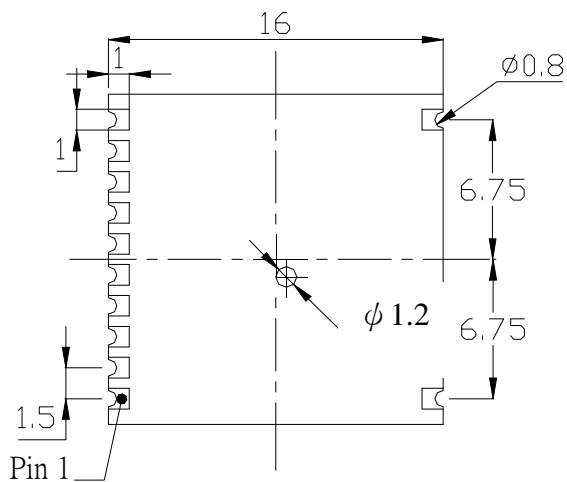
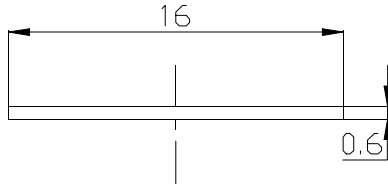
## Recommend PCB Layout Pad



**Footprint Top View**



**No traces and vias are allowed to pass the area**



**PCB Bottom View**

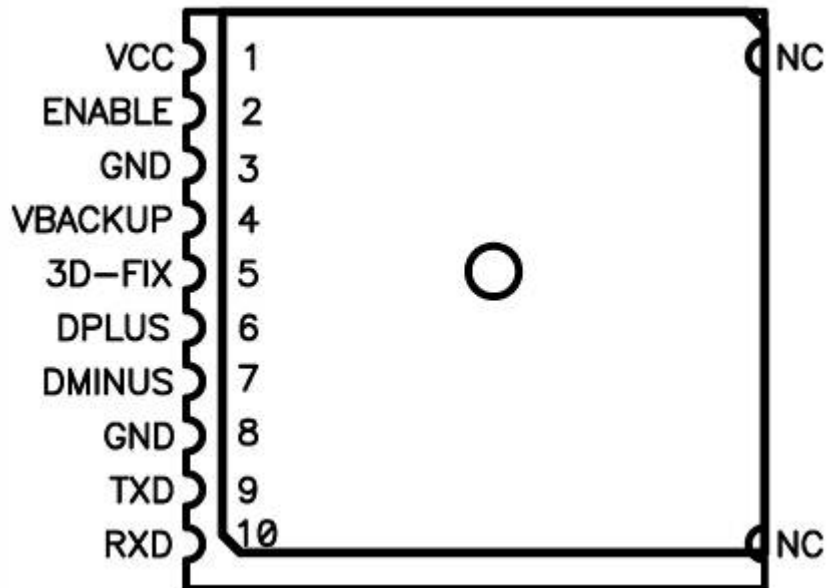
**Unit: mm**

# MEDIATEK-3329

## Datasheet

Rev.A03

### Pin Configuration



Top View

### Pin Definition

Pin	Name	I/O	Description
1	VCC	PI	Main DC power input
2	ENABLE	I	High active, or keep floating for normal working
3	GND	P	Ground
4	VBACKUP	PI	Backup power input
5	3D-FIX	O	3D-fix indicator
6	DPLUS	I/O	USB port D+
7	DMINUS	I/O	USB port D-
8	GND	P	Ground
9	TXD	O	Serial data output of NMEA
10	RXD	I	Serial data input for firmware update

# MEDIATEK- 3329 Datasheet

Rev.A03

## Description of I/O Pin

### VCC (Pin1)

The main DC power supply of the module, the voltage should be kept between from 3.2V to 5.0V. **The Vcc ripple must be controlled under 50mV<sub>pp</sub> (Typical: 3.3V)**

### ENABLE (Pin2)

Keep open or pull high to Power ON. Pull low to shutdown the module.

**Enable (High):  $1.8V \leq V_{enable} \leq VCC$**

**Disable (Low):  $0V \leq V_{enable} \leq 0.25V$**

### GND (Pin3)

Ground

### VBACKUP (Pin4)

This is the power for GPS chipset to keep RTC running when main power is removed. The voltage should be kept between 2.0V~4.3V. **(Typical: 3.0V)**

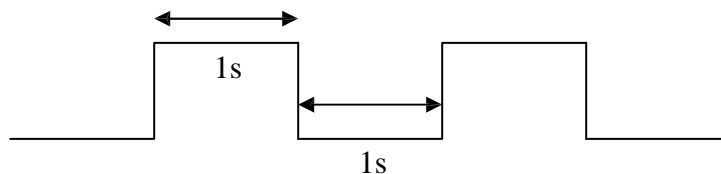
**The pin must be connected for normal operation.**

### 3D-FIX (Pin5)

The 3D-FIX was assigned as fix flag output. If not used, keep floating.

„ Before 2D Fix

The pin should continuously output one-second high-level with one-second low-level signal.



„ After 2D or 3D Fix

The pin should continuously output low-level signal.

Low \_\_\_\_\_



# MEDIATEK-3329

## Datasheet

Rev.A03

### **DPLUS (Pin6)**

USB Port DPLUS Signal

### **DMINUS (Pin7)**

USB Port DMINUS Signal

### **GND (Pin8)**

Ground

### **TXD (Pin9)**

This is the UART transmitter of the module. It outputs the GPS information for application.

### **RXD (Pin10)**

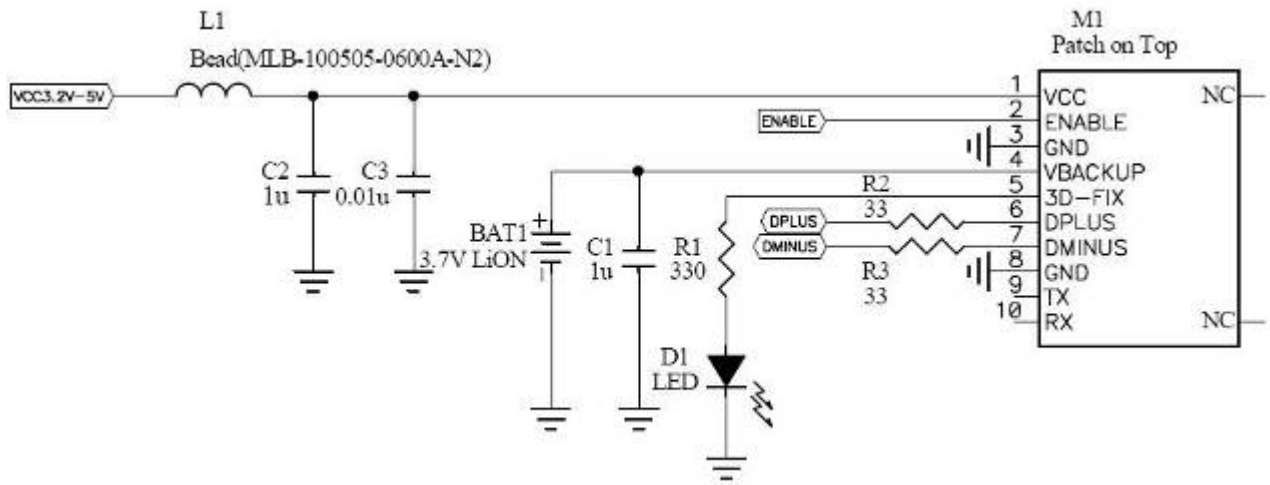
This is the UART receiver of the module. It is used to receive software commands and firmware update.

# MEDIATEK-3329 Datasheet

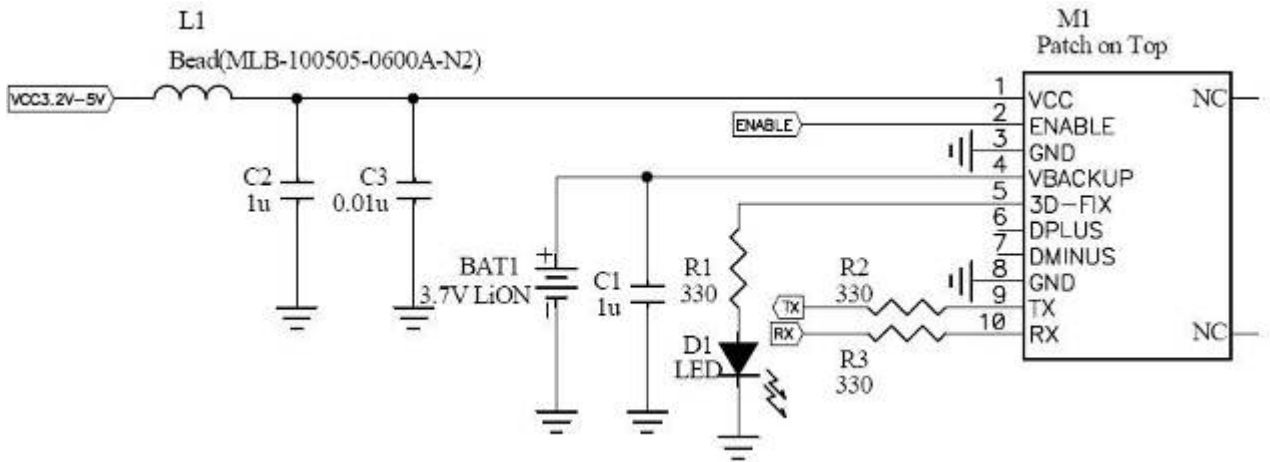
Rev.A03

## Reference Design

### USB Interface



### UART Interface



# MEDIATEK-3329

## Datasheet

Rev.A03

### Specifications

<b>General</b>	
Chipset	MTK MT3329
Frequency	L1, 1575.42MHz
C/A Code	1.023 MHz
Channels	66 channels
SBAS	WAAS, EGNOS,MSAS ,GAGAN Supported(Default: Enable)
Datum	WGS84(Default), Tokyo-M, Tokyo-A, User Define
CPU	ARM7EJ-S
<b>Dimensions</b>	
Length/Width/Height	16*16*6 mm
Weight	6g
<b>Performance Characteristics</b>	
Position Accuracy	Without aid: 3m 2D-RMS DGPS(RTM,SBAS(WAAS,EGNOS,MASA)):2.5m 2D-RMS
Velocity Accuracy	Without aid:0.1 m/s DGPS (RTCM, SBAS ):0.05m/s
Acceleration Accuracy	Without aid:0.1 m/s <sup>2</sup> DGPS (RTCM, SBAS ):0.05m/s <sup>2</sup>
Timing Accuracy	100 ns RMS
<b>Sensitivity</b> <sup>1</sup>	Acquisition:-148dBm (Cold Start)
	Reacquisition:-160dBm
	Tracking:-165dBm
Update Rate	1Hz (Default)
<b>Acquisition (Open sky, stationary)</b>	
Reacquisition Time <sup>1</sup>	Less than 1 second
Hot start <sup>1</sup>	1.0s (Typical)
Warm start <sup>1</sup>	34s (Typical)
Cold start <sup>1</sup>	35s (Typical)

<sup>1</sup> Reference to GPS chipset specification

# MEDIATEK- 3329 Datasheet

Rev.A03

<b>Dynamic</b>	
Altitude	Maximum 18,000m
Velocity	Maximum 515m/s
Acceleration	Maximum 4G
<b>I/O</b>	
Signal Output	8 data bits, no parity, 1 stop bit
Available Baud Rates	Default:9600bps (4800/9600/38400/57600/115200 bps by customization)
Protocols	NMEA 0183 v3.01 (Default: GGA,GSA,GSV,RMC,VTG) MTK NMEA Command
<b>Data output Interface</b>	
USB Interface	Logo certified USB 2.0 full-speed compatible
UART Interface	TTL level serial port
<b>Environment</b>	
Operating Temperature	-40 ℃ to 85 ℃
Storage Temperature	-50 ℃ to 90 ℃
Operating Humidity	5% to 95% (no condensing)
Mounting	SMD Type ,10 Pin

# MEDIATEK-3329

## Datasheet

Rev.A03

### DC Characteristics

Parameter	Condition	Min.	Typ.	Max.	Unit
Operation supply Voltage	—	3.2	3.3	5.0	V
Operation supply Ripple Voltage	—	—	—	50	mVpp
Backup Battery Voltage	—	2.0	3.0	4.3	V
RXA TTL H Level	VCC=3.3V	2.1	—	2.8	V
RXA TTL L Level	VCC=3.3V	0	—	0.9	V
TXA TTL H Level	VCC=3.3V	2.1	—	2.8	V
TXA TTL L Level	VCC=3.3V	0	—	0.8	V
USB D+	VCC=5.0V				V
USB D-	VCC=5.0V				V
Power Consumption @ 3.3V	Acquisition	43	48	53	mA
	Tracking	32	37	42	mA
Backup Power Consumption@ 3.0V	25°C	—	10	—	uA
Shut-down Power Consumption (via enable pin)	25°C	—	15	—	uA

### NMEA Output Sentence

**Table-1** lists each of the NMEA output sentences specifically developed and defined by MTK for use within MTK products

NMEA Output Sentence		Table-1
Option	Description	
GGA	Time, position and fix type data.	
GSA	GPS receiver operating mode, active satellites used in the position solution, and DOP values.	
GSV	The number of GPS satellites in view satellite ID numbers, elevation, azimuth, and SNR values.	
RMC	Time, date, position, course and speed data. Recommended Minimum Navigation Information.	
VTG	Course and speed information relative to the ground.	

# MEDIATEK- 3329 Datasheet

Rev.A03

**GGA—Global Positioning System Fixed Data. Time, Position and fix related data for a GPS receiver**

**Table-2** contains the values for the following example:

\$GPGGA,064951.000,2307.1256,N,12016.4438,E,1,8,0.95,39.9,M,17.8,M,,\*65

<b>GGA Data Format</b>			<b>Table-2</b>
Name	Example	Units	Description
Message ID	\$GPGGA		GGA protocol header
UTC Time	064951.000		hhmmss.sss
Latitude	2307.1256		ddmm.mmmm
N/S Indicator	N		N=north or S=south
Longitude	12016.4438		dddmm.mmmm
E/W Indicator	E		E=east or W=west
Position Fix Indicator	1		See <b>Table-3</b>
Satellites Used	8		Range 0 to 14
HDOP	0.95		Horizontal Dilution of Precision
MSL Altitude	39.9	meters	Antenna Altitude above/below mean-sae-level
Units	M	meters	Units of antenna altitude
Geoidal Separation	17.8	meters	
Units	M	meters	Units of geoidal separation
Age of Diff. Corr.		second	Null fields when DGPS is not used
Checksum	*65		
<CR> <LF>			End of message termination

<b>Position Fix Indicator</b>		<b>Table-3</b>
Value	Description	
0	Fix not available	
1	GPS fix	
2	Differential GPS fix	

# MEDIATEK- 3329 Datasheet

Rev.A03

## GSA—GNSS DOP and Active Satellites

**Table-4** contains the values for the following example:

\$GPGSA,A,3,29,21,26,15,18,09,06,10,,,,,2.32,0.95,2.11\*00

<b>GSA Data Format</b>			<b>Table-4</b>
Name	Example	Units	Description
Message ID	\$GPGSA		GSA protocol header
Mode 1	A		See <b>Table-5</b>
Mode 2	3		See <b>Table-6</b>
Satellite Used	29		SV on Channel 1
Satellite Used	21		SV on Channel 2
....	....	....	....
Satellite Used			SV on Channel 12
PDOP	2.32		Position Dilution of Precision
HDOP	0.95		Horizontal Dilution of Precision
VDOP	2.11		Vertical Dilution of Precision
Checksum	*00		
<CR> <LF>			End of message termination

<b>Mode 1</b>		<b>Table-5</b>
Value	Description	
M	Manual—forced to operate in 2D or 3D mode	
A	2D Automatic—allowed to automatically switch 2D/3D	

<b>Mode 2</b>		<b>Table-6</b>
Value	Description	
1	Fix not available	
2	2D (< 4 SVs used)	
3	3D ( $\geq$ 4 SVs used)	

# MEDIATEK- 3329 Datasheet

Rev.A03

## GSV—GNSS Satellites in View

**Table-7** contains the values for the following example:

\$GPGSV,3,1,09,29,36,029,42,21,46,314,43,26,44,020,43,15,21,321,39\*7D

\$GPGSV,3,2,09,18,26,314,40,09,57,170,44,06,20,229,37,10,26,084,37\*77

\$GPGSV,3,3,09,07,,26\*73

GSV Data Format			Table-7
Name	Example	Units	Description
Message ID	\$GPGSV		GSV protocol header
Number of Messages	3		Range 1 to 3 <i>(Depending on the number of satellites tracked, multiple messages of GSV data may be required.)</i>
Message Number1	1		Range 1 to 3
Satellites in View	09		
Satellite ID	29		Channel 1 (Range 1 to 32)
Elevation	36	degrees	Channel 1 (Maximum 90)
Azimuth	029	degrees	Channel 1 (True, Range 0 to 359)
SNR (C/No)	42	dBHz	Range 0 to 99, (null when not tracking)
....	....	....	....
Satellite ID	15		Channel 4 (Range 1 to 32)
Elevation	21	degrees	Channel 4 (Maximum 90)
Azimuth	321	degrees	Channel 4 (True, Range 0 to 359)
SNR (C/No)	39	dBHz	Range 0 to 99, (null when not tracking)
Checksum	*7D		
<CR> <LF>			End of message termination



# MEDIATEK- 3329 Datasheet

Rev.A03

## RMC—Recommended Minimum Navigation Information

**Table-8** contains the values for the following example:

\$GPRMC,064951.000,A,2307.1256,N,12016.4438,E,0.03,165.48,260406,3.05,W,A\*2C

RMC Data Format			Table-8
Name	Example	Units	Description
Message ID	\$GPRMC		RMC protocol header
UTC Time	064951.000		hhmmss.sss
Status	A		A=data valid or V=data not valid
Latitude	2307.1256		ddmm.mmmm
N/S Indicator	N		N=north or S=south
Longitude	12016.4438		dddmm.mmmm
E/W Indicator	E		E=east or W=west
Speed Over Ground	0.03	knots	
Course Over Ground	165.48	degrees	True
Date	260406		ddmmyy
Magnetic Variation	3.05, W	degrees	E=east or W=west <b>(Need customization service)</b>
Mode	A		A= Autonomous mode D= Differential mode E= Estimated mode
Checksum	*2C		
<CR> <LF>			End of message termination

# MEDIATEK- 3329 Datasheet

Rev.A03

**VTG—Course and speed information relative to the ground.**

**Table-9** contains the values for the following example:

\$GPVTG,165.48,T,,M,0.03,N,0.06,K,A\*37

VTG Data Format			Table-9
Name	Example	Units	Description
Message ID	\$GPVTG		VTG protocol header
Course	165.48	degrees	Measured heading
Reference	T		True
Course		degrees	Measured heading
Reference	M		Magnetic <i>(Need customization service.)</i>
Speed	0.03	knots	Measured horizontal speed
Units	N		Knots
Speed	0.06	km/hr	Measured horizontal speed
Units	K		Kilometers per hour
Mode	A		A= Autonomous mode D= Differential mode E= Estimated mode
Checksum	*06		
<CR> <LF>			End of message termination

## MTK NMEA Command Protocol

**Packet Type:**

103 PMTK\_CMD\_COLD\_START

**Packet Meaning:**

Cold Start: Don't use Time, Position, Almanacs and Ephemeris data at re-start.

**Example:**

\$PMTK103\*30<CR><LF>

# MEDIATEK- 3329 Datasheet

Rev.A03

## Manual Soldering:

Soldering iron:

Bit Temperature: Under 380°C

Time: Under 3 sec.

Notes:

1. Please do not directly touch the soldering pads on the surface of the PCB board, in order to prevent further oxidation
2. The solder paste must be defrosted to room temperature before use so it can return to its optimal working temperature. The time required for this procedure is unique and dependent on the properties of the solder paste used.
3. The steel plate must be properly assessed before and after use, so its measurement stays strictly within the specification set by SOP.
4. Please watch out for the spacing between soldering joint, as excess solder may cause electrical shortage
5. Please exercise with caution and do not use extensive amount of flux due to possible siphon effects on neighboring components, which may lead to electrical shortage.
6. Please do not use the heat gun for long periods of time when removing the shielding or inner components of the GPS module, as it is very likely to cause a shift to the inner components and will leads to electrical shortage.