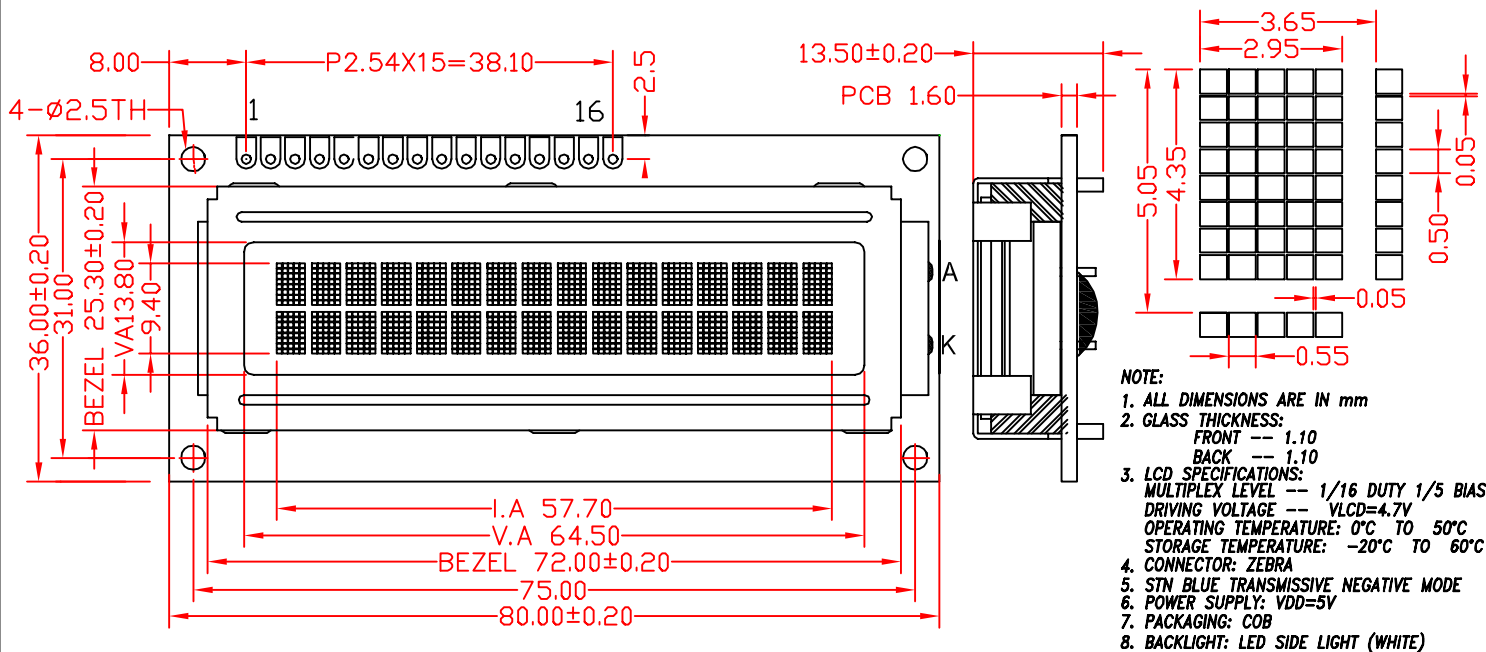


## ① PHYSICAL DIMENSION



## ② MECHANICAL DATA

| ITEM                      | SPECIFICATION         | UNIT |
|---------------------------|-----------------------|------|
| Module Size ( W X H X T ) | 80.00 X 36.00 X 13.50 | mm   |
| Viewing Area ( W X H )    | 64.50X13.80           | mm   |
| Internal Area(WXH)        | 57.70X9.40            | mm   |
| Number of Character       | 16 Character X 2 Line | Char |
| Dot Pitch ( W X H )       | 0.60X0.55             | mm   |
| Dot Size ( W X H )        | 0.55X0.50             | mm   |
| Character Pitch ( W X H ) | 3.65X5.05             | mm   |
| Character Size ( W X H )  | 2.95X4.35             | mm   |

## ③ PIN CONFIGURATION

| ITEM | SYMBOL | DESCRIPTION                                       |
|------|--------|---|
| 1    | VSS    | 0V(GND)   |
| 2    | VDD    | Power supply for logic                            |
| 3    | V0     | Power supply for LCD Driver (contrast adjustment) |
| 4    | RS     | Data /Instruction register select                 |
| 5    | R/W    | Read /Write select                                |
| 6    | E      | Read-Write enable strobe                          |
| 7    | DB0    | Data bus  |
| 8    | DB1    |   |
| 9    | DB2    |   |
| 10   | DB3    |   |
| 11   | DB4    |   |
| 12   | DB5    |   |
| 13   | DB6    |   |
| 14   | DB7    |   |
| 15   | A      | LED Backlight DC=5.0V                             |
| 16   | K      | LED Backlight -( 0 V )                            |

## ④ BLOCK DIAGRAM

