

Application Guide



Easy to use

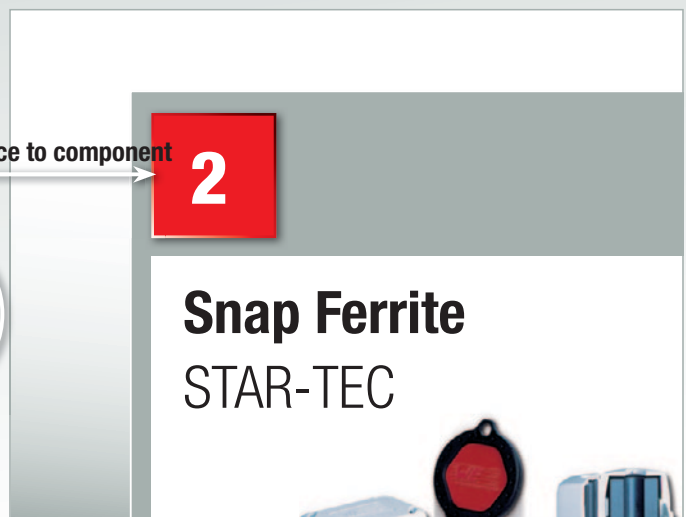
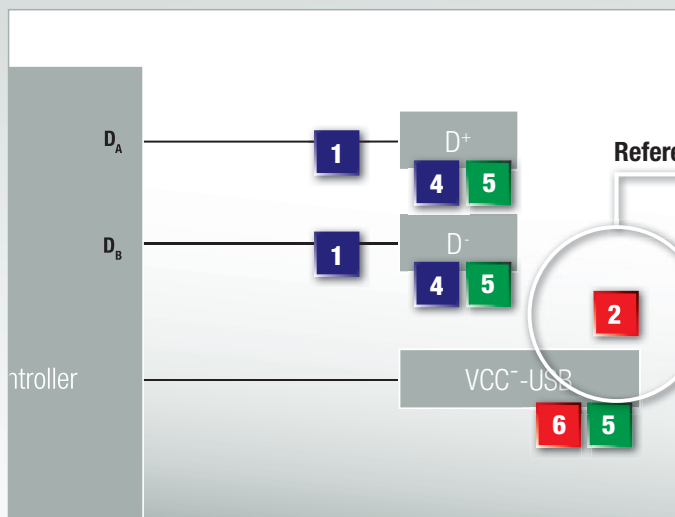
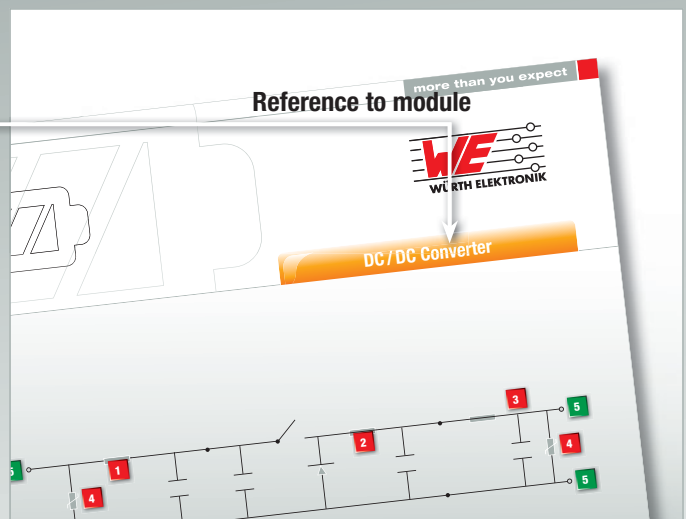
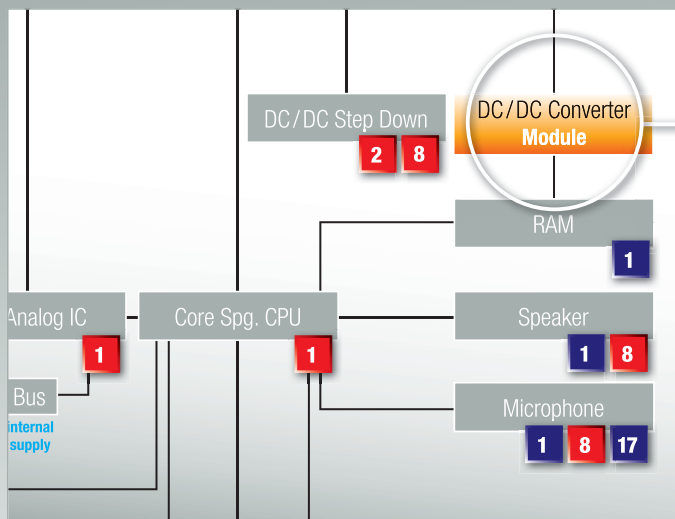
Split in modules and applications

Components and applications at a glance

Modules are subsystems which occur in several applications.
Therefore modules are specified in detail on an extra page.
The modules are marked yellow in all applications.

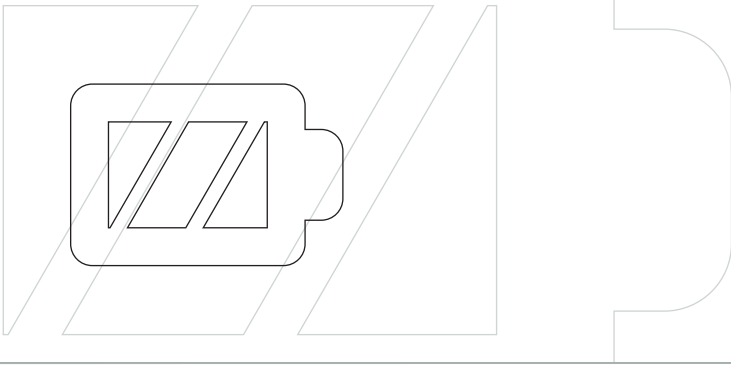
Colour code marks subsystems like:

- Power Lines
- Data Lines
- Electromechanical Connections
- RF Circuits

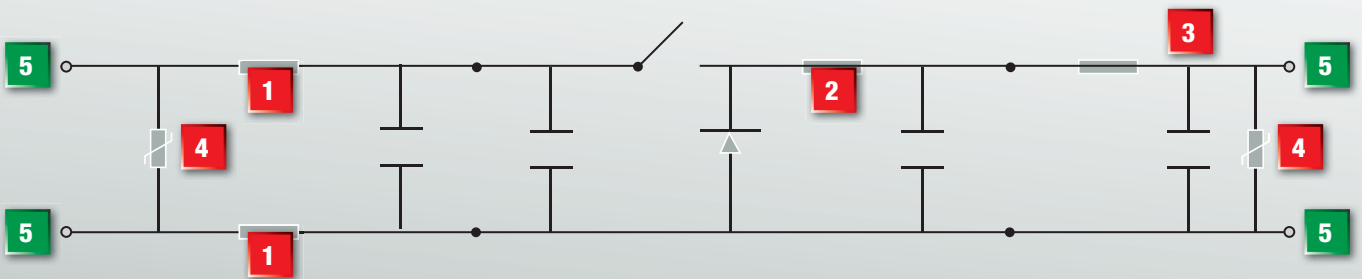


Please note:

Although great care has been taken to provide accurate and current information, neither the authors nor the publisher, nor anyone else associated with this publication, shall be liable for any loss, damage, or liability directly or indirectly caused or alleged to be caused by this brochure.



DC / DC Converter



1

Power Inductor
WE-PDx Series

SMD Common Mode Choke
WE-SLx Series

2

Transformer for DC / DC Converter
WE-FLEX

SMD Power Inductor
WE-TPC

SMD Power Inductor
WE-HCx Series

3

SMD EMI Power Ferrite Bead
WE-PBF

Multiline Suppression Ferrite
WE-MLS

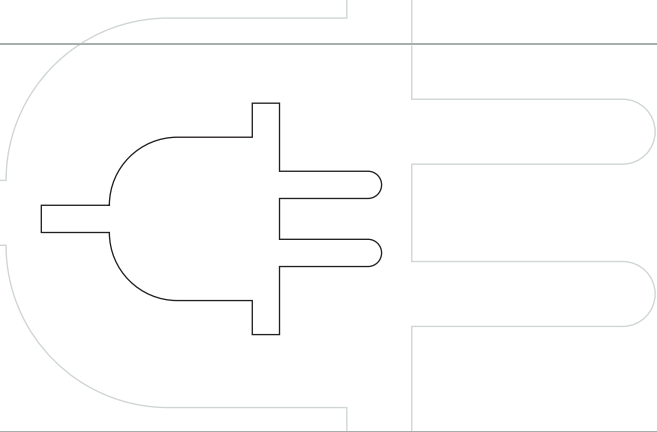
SMD Power Inductor
WE-PDx Series

4

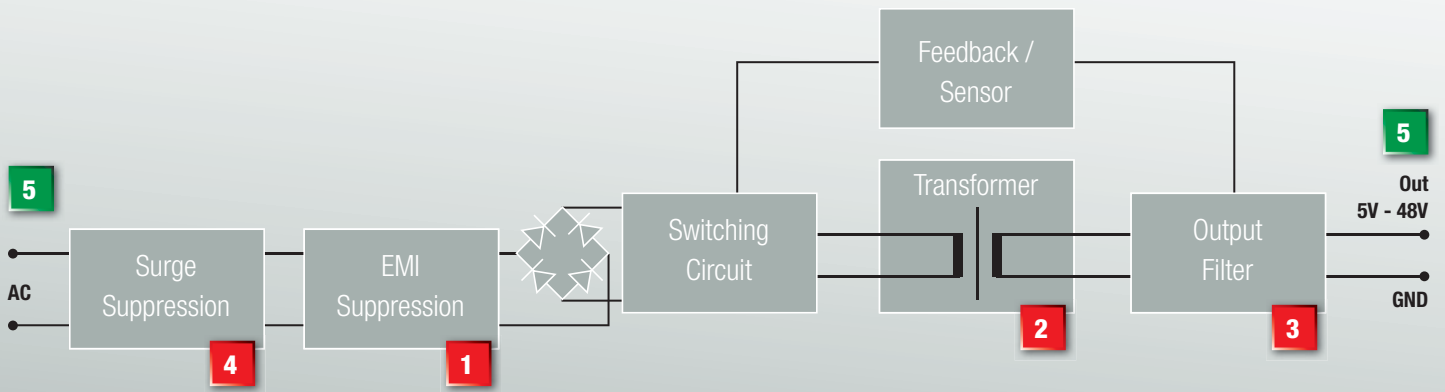
Varistors
WE-VS
WE-VD

5

Connectors
WERI



AC / DC Converter



1

Current Compensated Power Line Choke
WE-FC

Current Compensated Choke
WE-CMB

Current Compensated Power Inductor
WE-LF

2

Offline Transformer
WE-UNIT

3

SMD Power Inductor
WE-PDx Series

SMD Tiny Power Inductor
WE-TPC

Axial Ferrite Bead

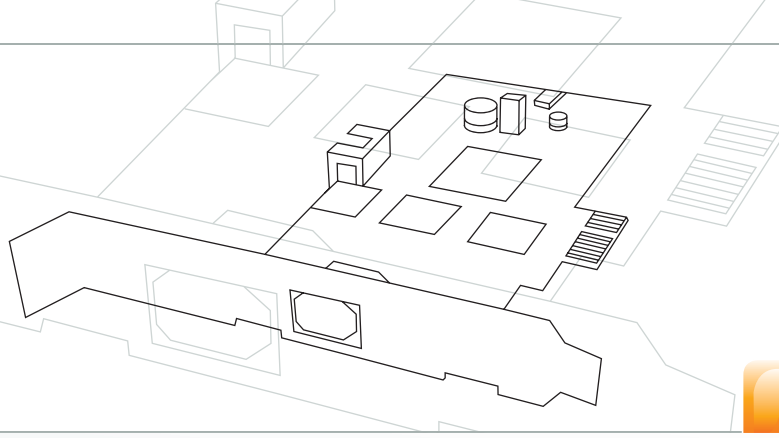
Common Mode
WE-SL5

4

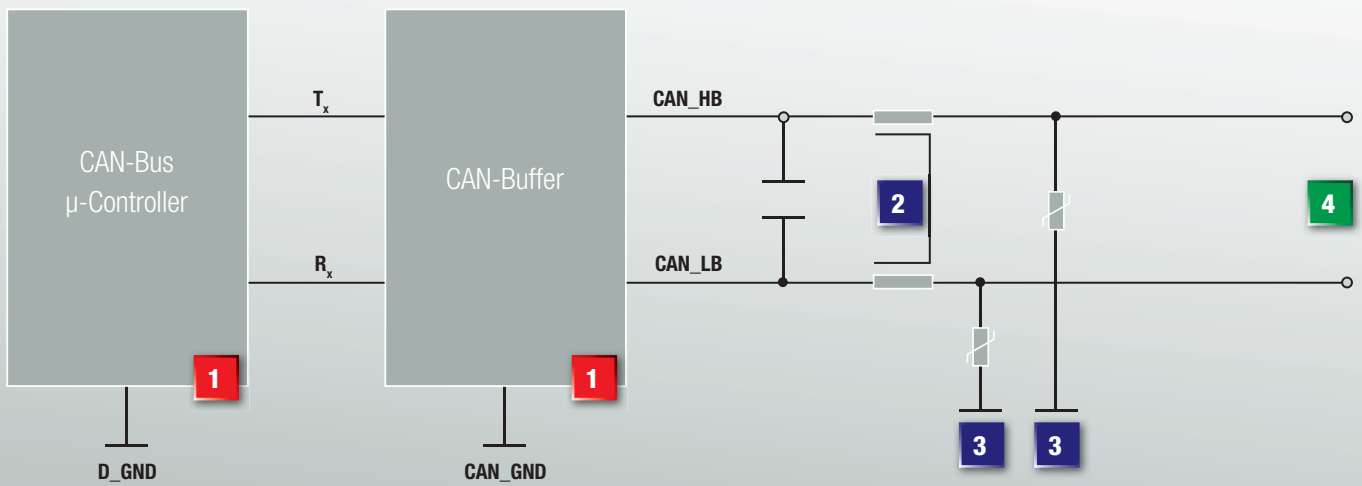
Varistors
WE-VD

5

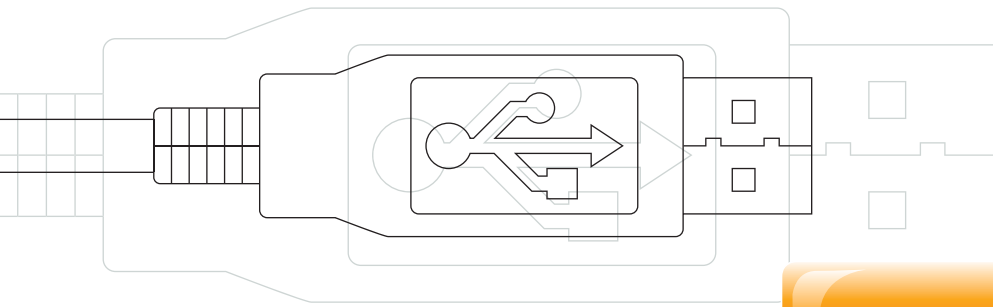
Connectors
WERI



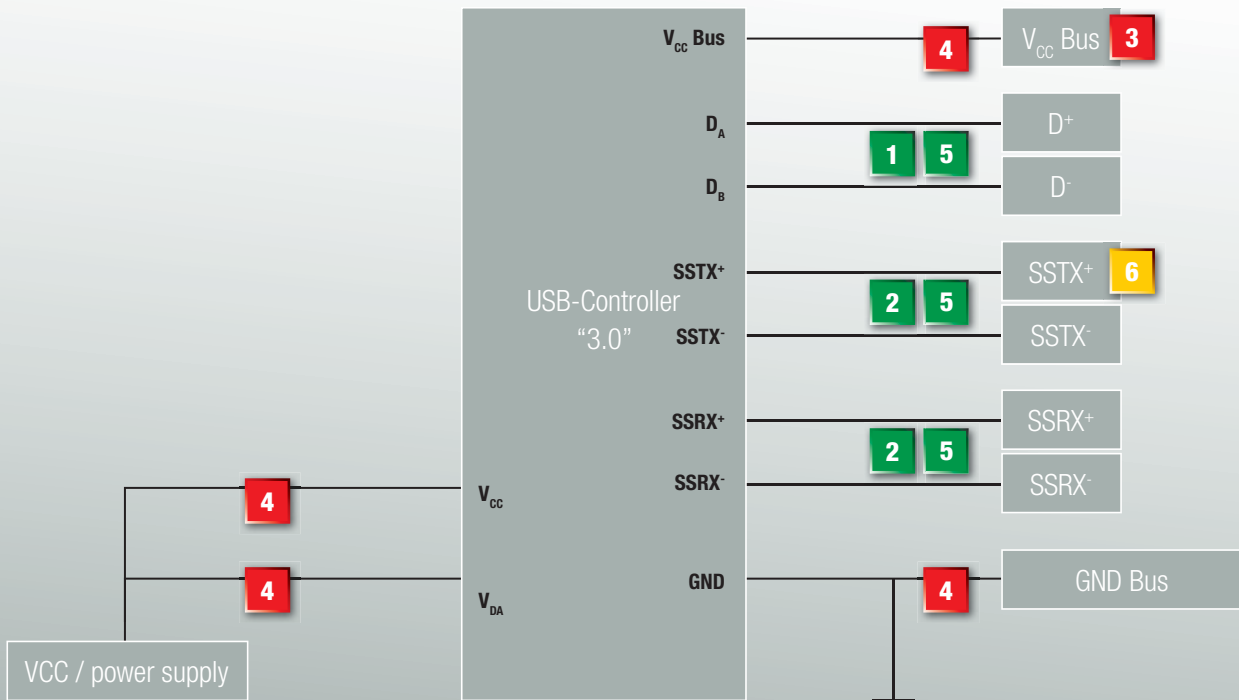
CAN – Interface



<p>1</p> <p>Chip Bead Ferrite WE-CBF</p>	<p>2</p> <p>SMD Common Mode Line Filter WE-SLM</p>	<p>3</p> <p>ESD Suppressors WE-VE</p>	<p>4</p> <p>WERI WR-DSUB</p>
	<p>SMD Common Mode Line Filter WE-SL2</p>		



USB 3.0



1 2

SMD Common Mode Line Filter
WE-CNSW

3

Snap Ferrite
STAR-TEC

4

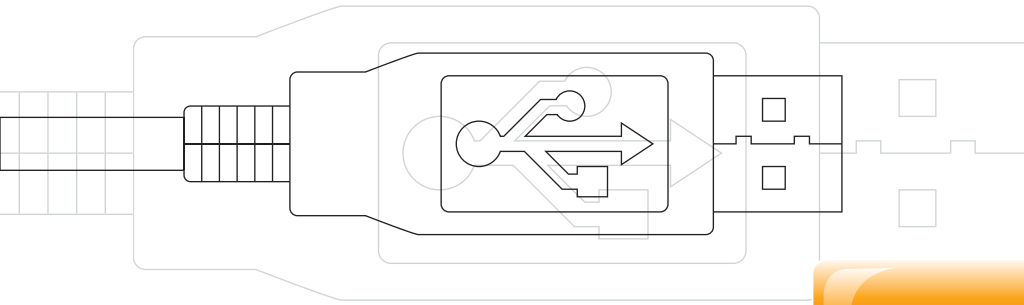
Chip Bead Ferrite
WE-CBF

5

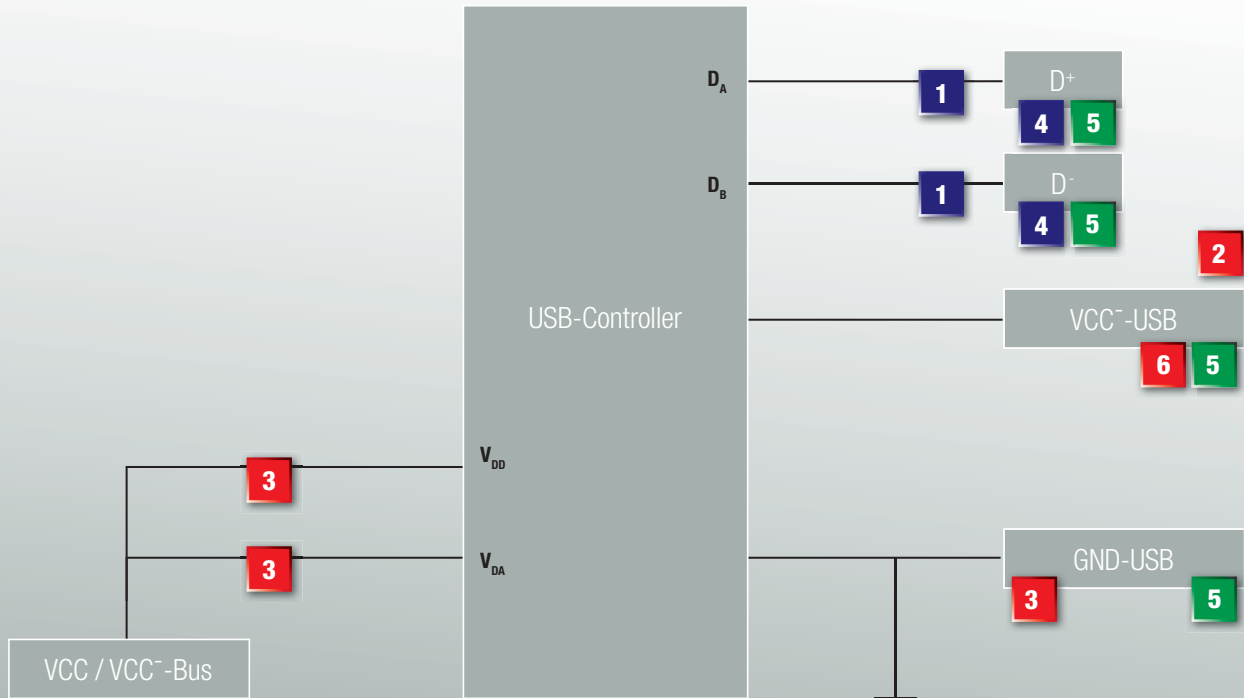
TVS Diode
WE-TVS

6

USB 3.0
WR-COM



USB 2.0



1

SMD Common Mode Choke
WE-CNSW

SMD Common Mode Choke
WE-SL2

2

Snap Ferrite
STAR-TEC

3

Chip Bead Ferrite
WE-CBF

4

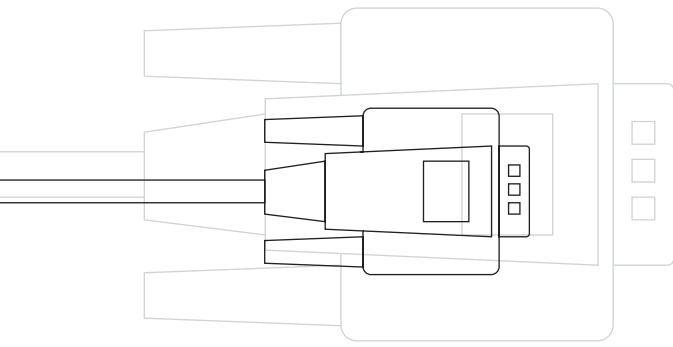
ESD Suppressors
WE-VEA
WE-VE

5

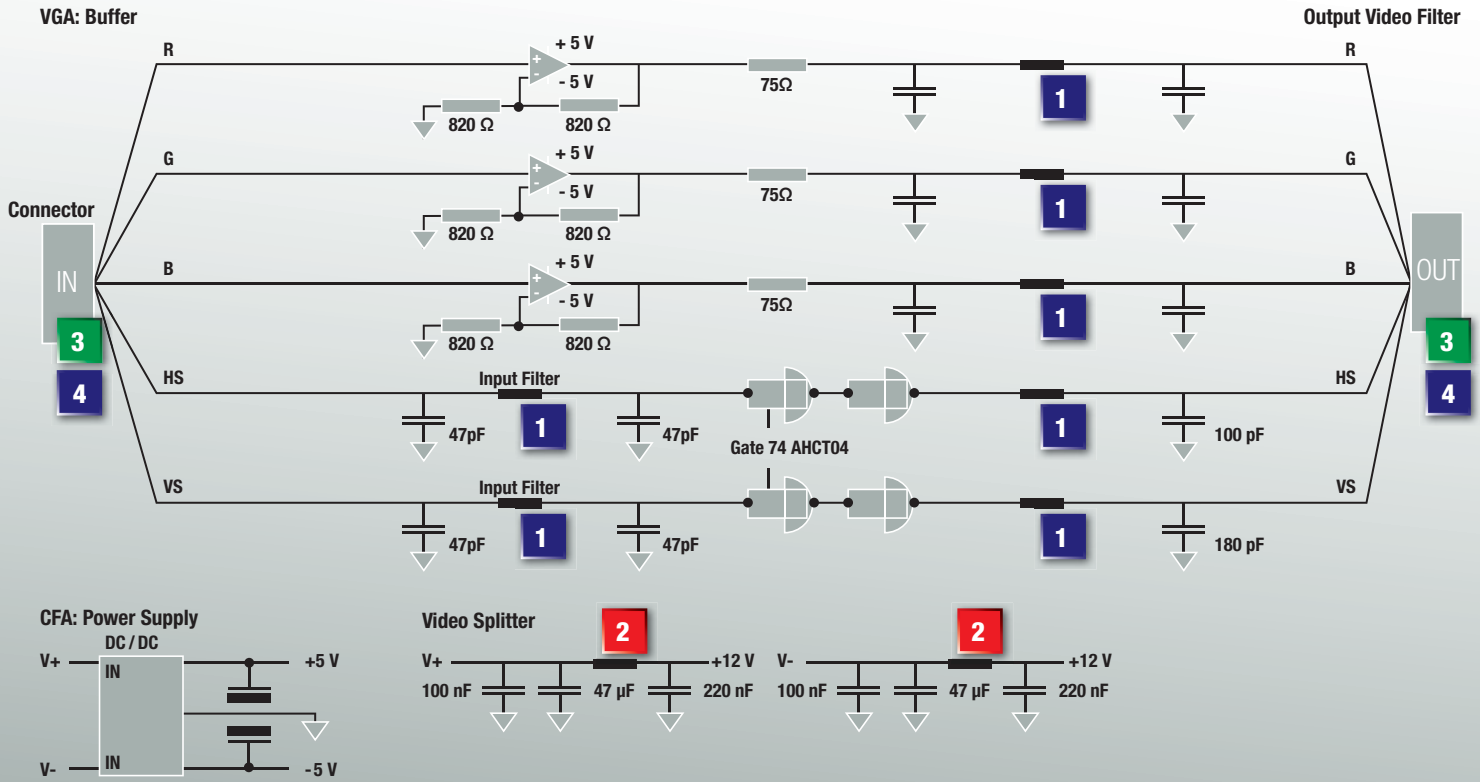
WERI
WR-COM

6

SMD Varistors
WE-VS



VGA



1

Chip Bead Ferrite
WE-CBF

2

SMD Power Inductor
WE-PD2
WE-GF

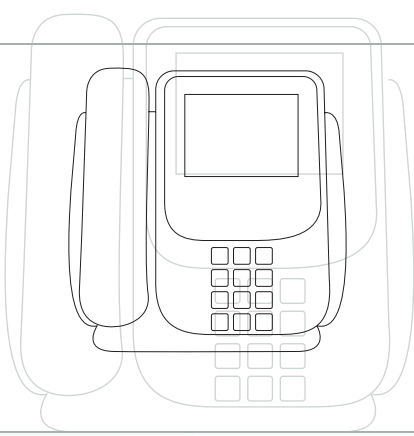
3

Connectors
WR-COM
WR-DSUB

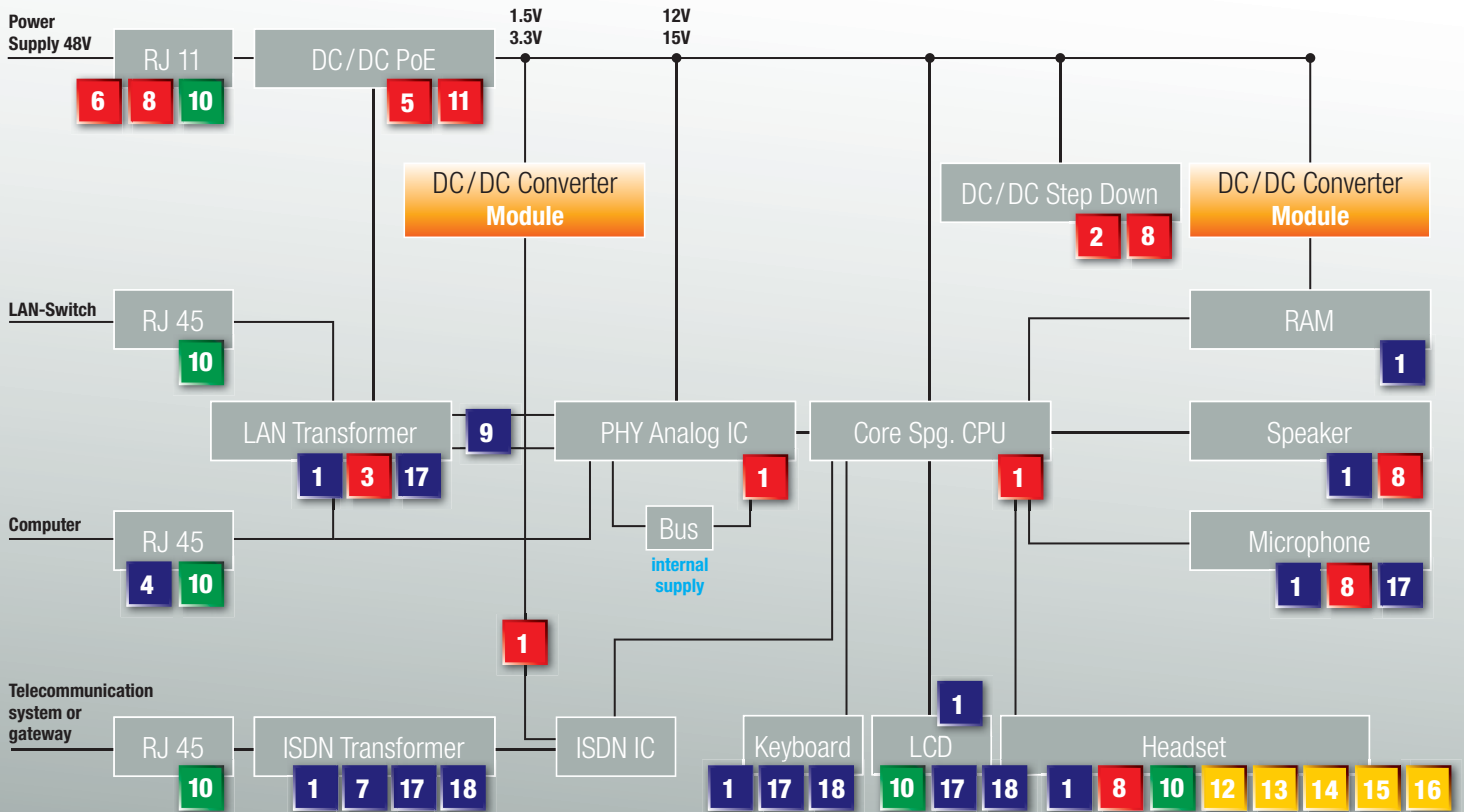
4

ESD Suppressors
WE-VE "ULC"
WE-VE femtoF

TVS Diode Array
WE-TVS

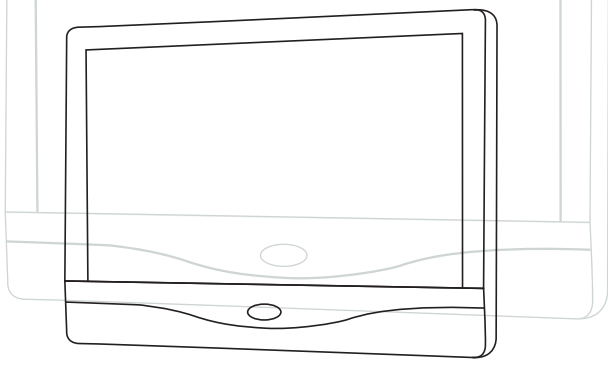


IP-Phone

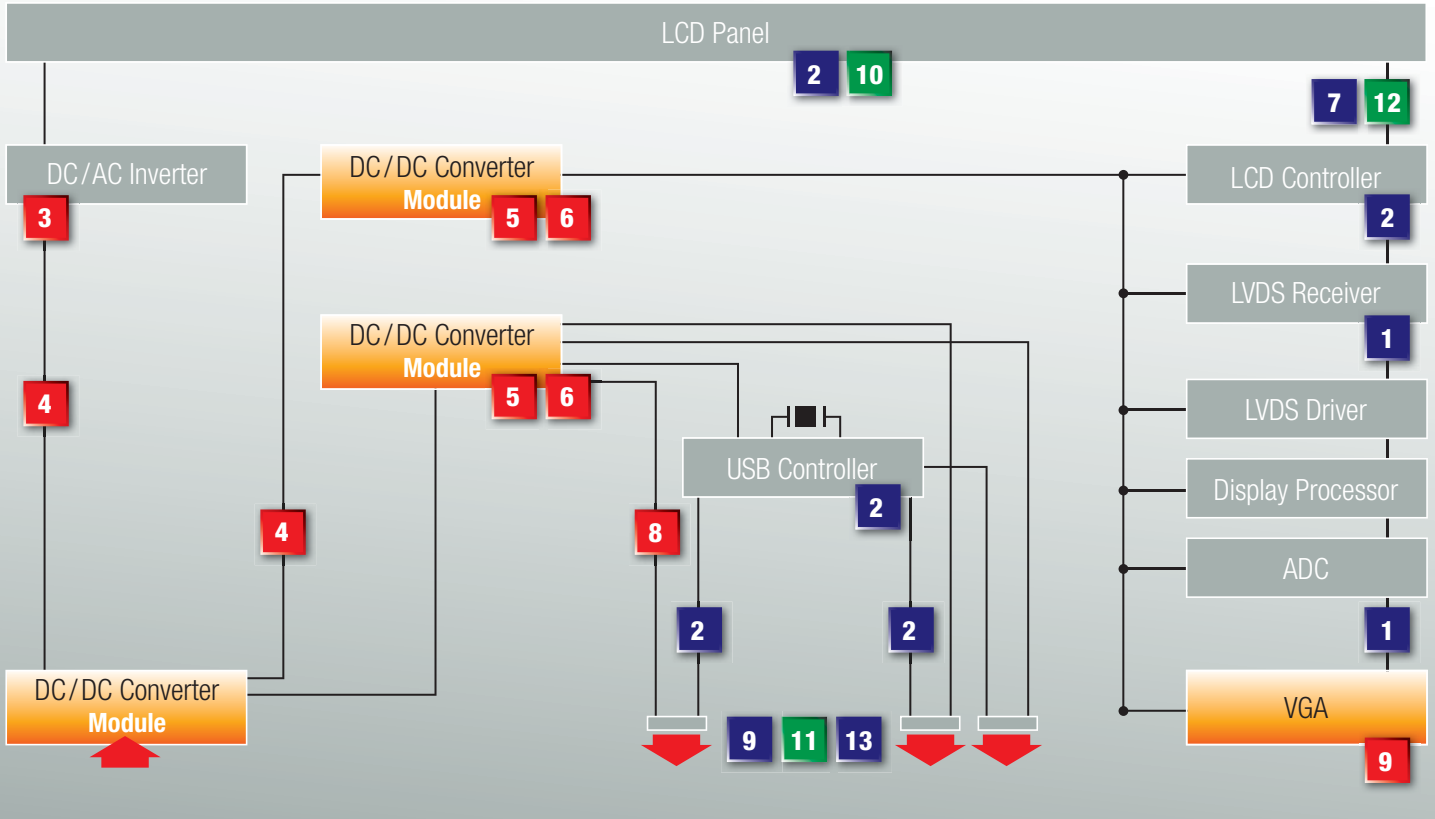


<p>1 1</p> <p>Chip Bead Ferrite WE-CBF</p>	<p>2</p> <p>SMD Power Inductor WE-PDx Series WE-TPC</p>	<p>3</p> <p>LAN Transformer WE-LAN</p>	<p>4</p> <p>Integrated LAN RJ45 Transformer WE-LAN RJ45</p>	<p>5</p> <p>PoE Transformer WE-PoE</p>	<p>6</p> <p>Common Mode Line Filter WE-SLx Series</p>
<p>7</p> <p>Digital Transformer WE-ISDN</p>	<p>8</p> <p>SMD RF Inductor WE-GF WE-LQ</p>	<p>9</p> <p>SMD Common Mode Choke WE-CNSW</p>	<p>10</p> <p>Connectors WERI</p>	<p>11</p> <p>SMD Varistors WE-VS</p>	<p>12</p> <p>SMD Multilayer Ceramic Inductor WE-MK</p>
<p>13</p> <p>SMD Wire Wound Ceramic Inductor WE-KI</p>	<p>14</p> <p>Multilayer Chip Antenna WE-MCA</p>	<p>15</p> <p>Multilayer Band-Pass Filter WE-BPF</p>	<p>16</p> <p>Multilayer Chip Balun WE-BAL</p>	<p>17</p> <p>ESD Suppressors WE-VE</p>	<p>18</p> <p>TVS Diode Array WE-TVS</p>

■ Power Line
 ■ Data Line
 ■ Electromechanical
 ■ RF



LCD Monitor



1

SMD Common Mode Choke
WE-CNSW

2

Chip Bead Ferrite
WE-CBF

3

Analog Modem Transformer
WE-AMT

4

SMD Common Mode Line Filter
WE-SLx Series

5

SMD RF Inductor
WE-LQ

6

SMD Power Inductors
WE-PDx Series
WE-TPC

7

Ferrite Plate

8

Power Ferrite Bead
WE-PF

9

ESD Suppressors
WE-VE

10

Conductive Shielding Material
WE-LT

11

Connectors
WR-COM

12

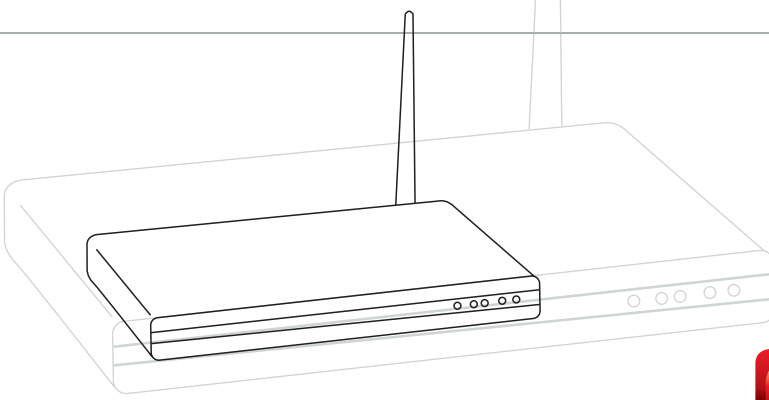
Connectors
WR-FPC
WR-FFC

Flat Ferrite Core

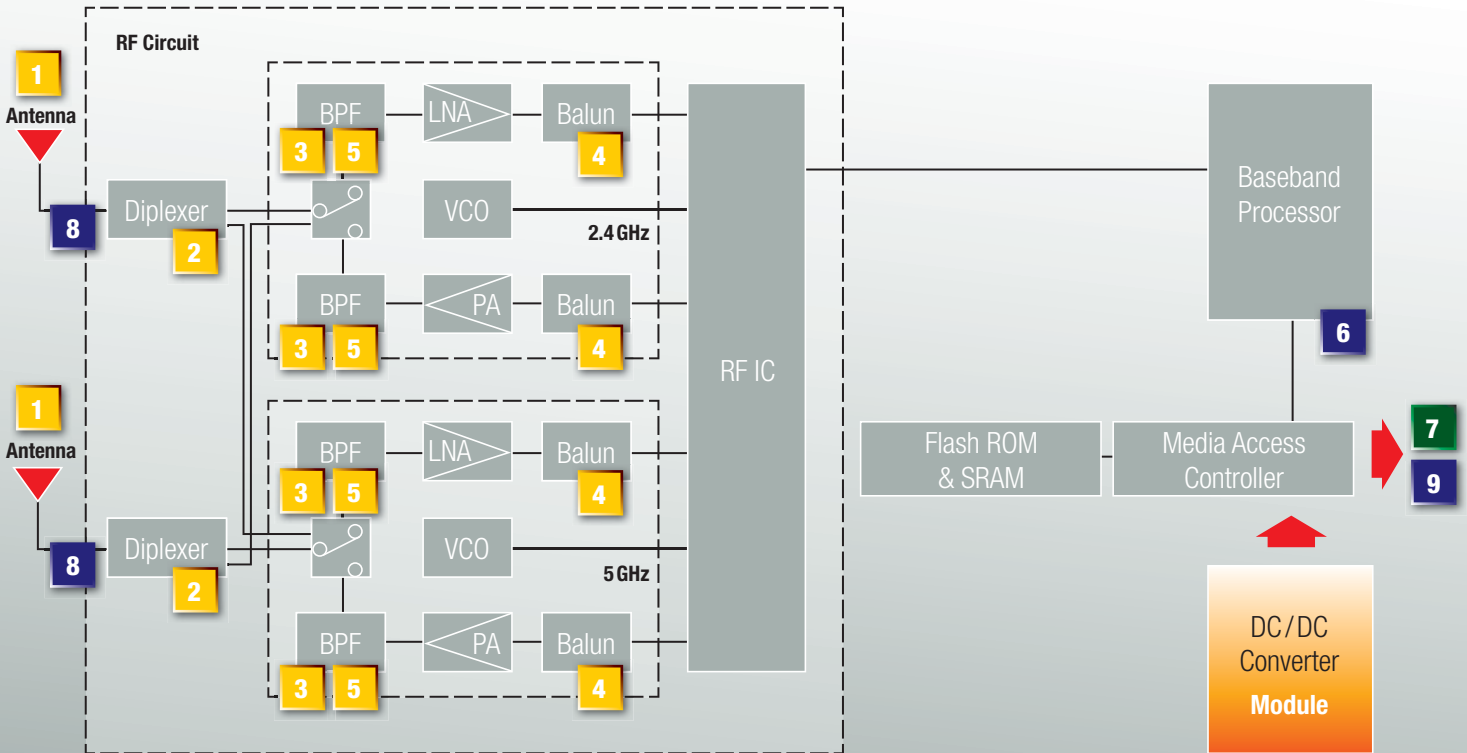
13

TVS Diode Array
WE-TVS

■ Power Line
 ■ Data Line
 ■ Electromechanical
 ■ RF

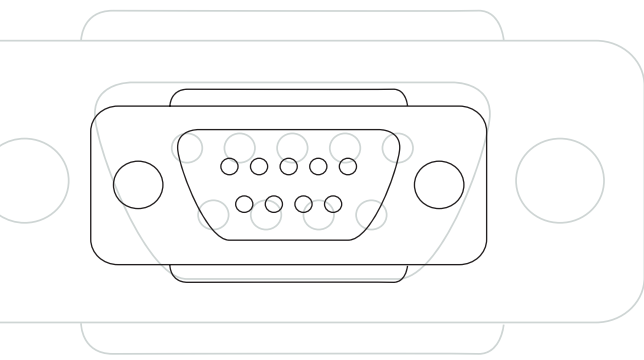


Wireless LAN (2.4 GHz / 5 GHz)

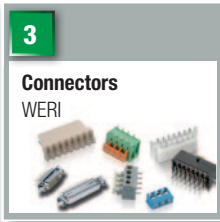
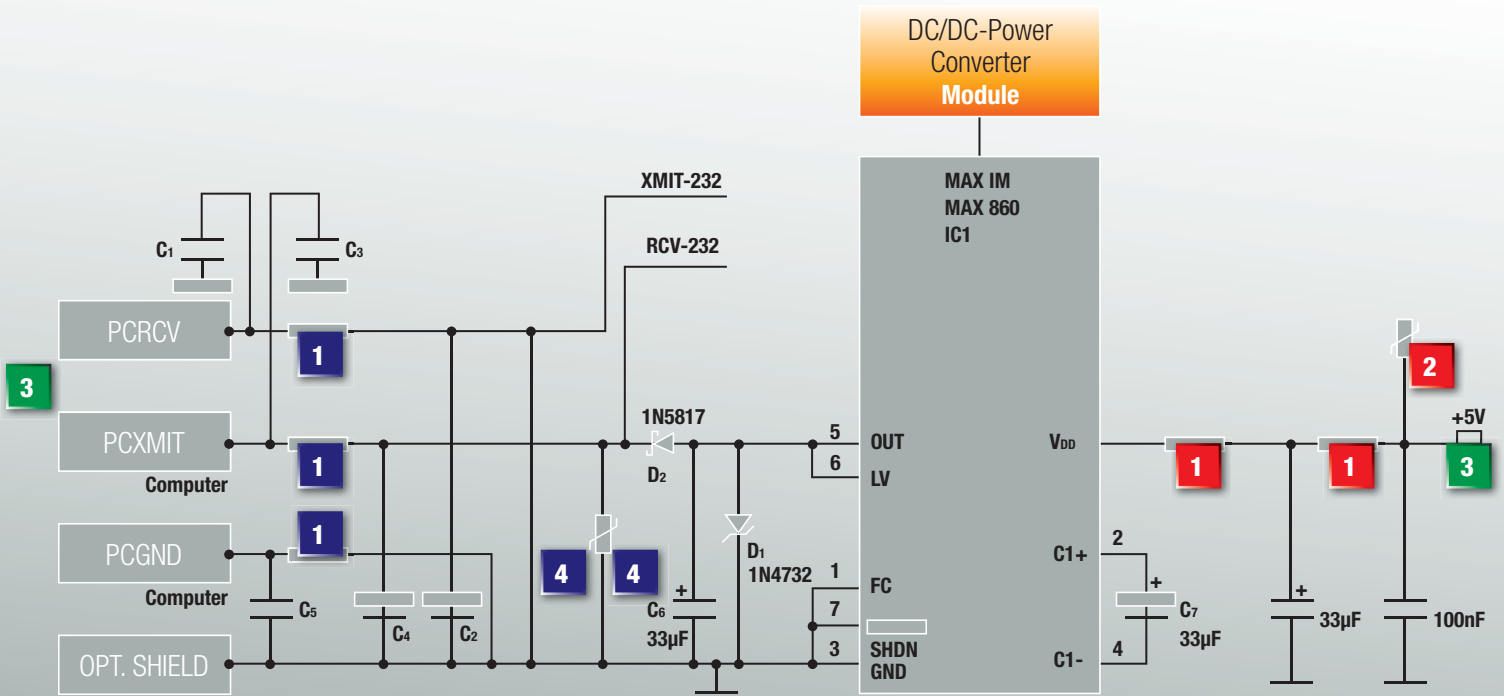


- | | | | | |
|--|---|---|--|---|
| <p>1</p> <p>Multilayer Chip Antenna
WE-MCA</p> | <p>2</p> <p>Multilayer Chip Diplexer
WE-DPX</p> | <p>3</p> <p>Multilayer Chip Band-Pass Filter
WE-BPF</p> | <p>4</p> <p>Multilayer Chip Balun
WE-BAL</p> | <p>5</p> <p>SMD Wire Wound Ceramic Inductor
WE-KI</p> |
| <p>6</p> <p>Chip Bead Ferrite
WE-CBF</p> | <p>7</p> <p>Connectors
WR-COM</p> | <p>8</p> <p>ESD Suppressor
WE-VE femtoF</p> | <p>9</p> <p>ESD Suppressor
WE-VE</p> | |

■ Power Line
 ■ Data Line
 ■ Electromechanical
 ■ RF



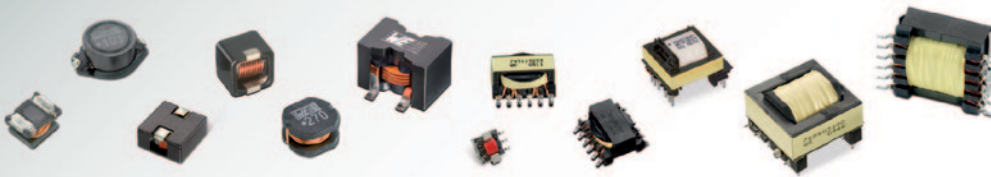
RS 232 / 485 Interface



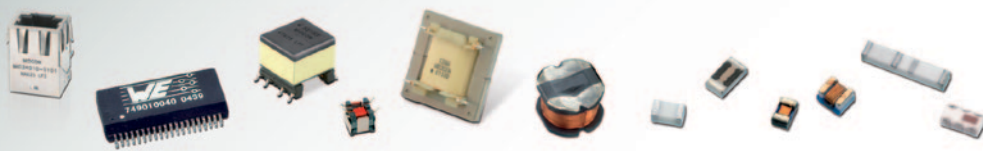
Passive & Electromechanical Components



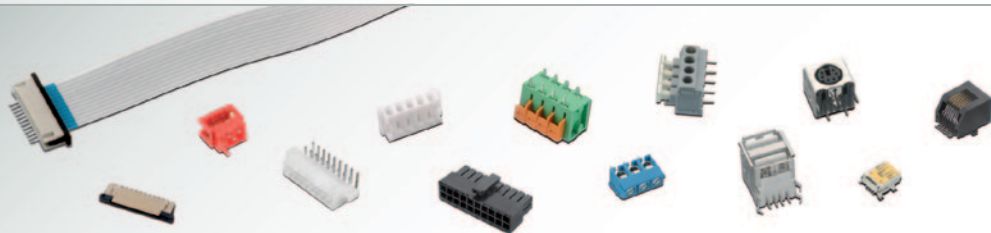
EMC Components



Power Magnetics



Signal & Communications



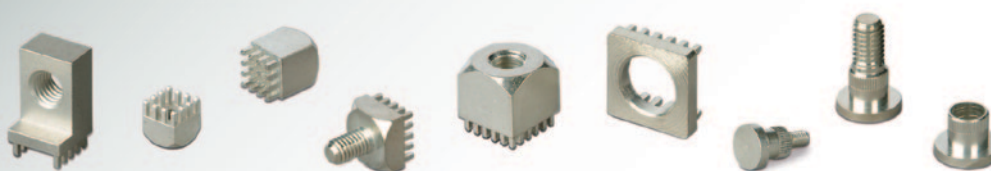
Connectors



Switches



Assembly Technique



Power Elements