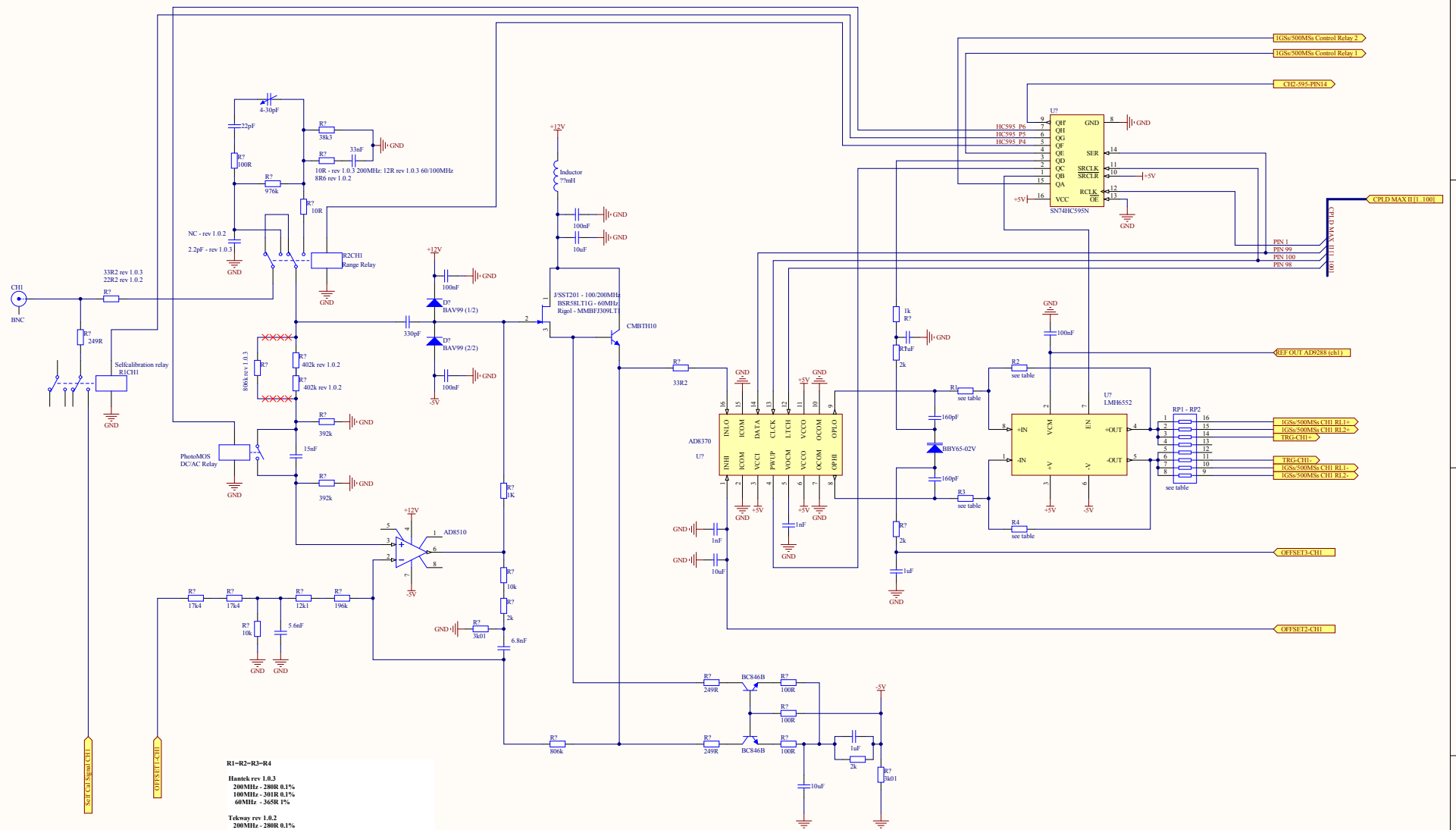


# CH1 Input Circuit



- R1-R2-R3-R4**  
 Hamtek rev 1.0.3  
 200MHz - 280R 0.1%  
 100MHz - 301R 0.1%  
 60MHz - 365R 1%
- Tekway rev 1.0.2**  
 200MHz - 280R 0.1%  
 100MHz - 365R 0.1%
- Rigol (1052 and 1102) - 365R 0.1%**
- RP1-RP2**  
 Hamtek rev 1.0.3  
 200MHz - 33R 1%  
 100MHz - 39R 1%  
 60MHz - 47R 1%
- Tekway rev 1.0.2**  
 200MHz - 33R 1%  
 100MHz - 47R 1%
- Rigol (1052 and 1102) - 33R 1%**

Title		
Size	Number	Revision
C		
Date:	1/25/2011	Sheet of
File:	C:\Development_01-CH1 Input Circuit Schematic	Drawn By: