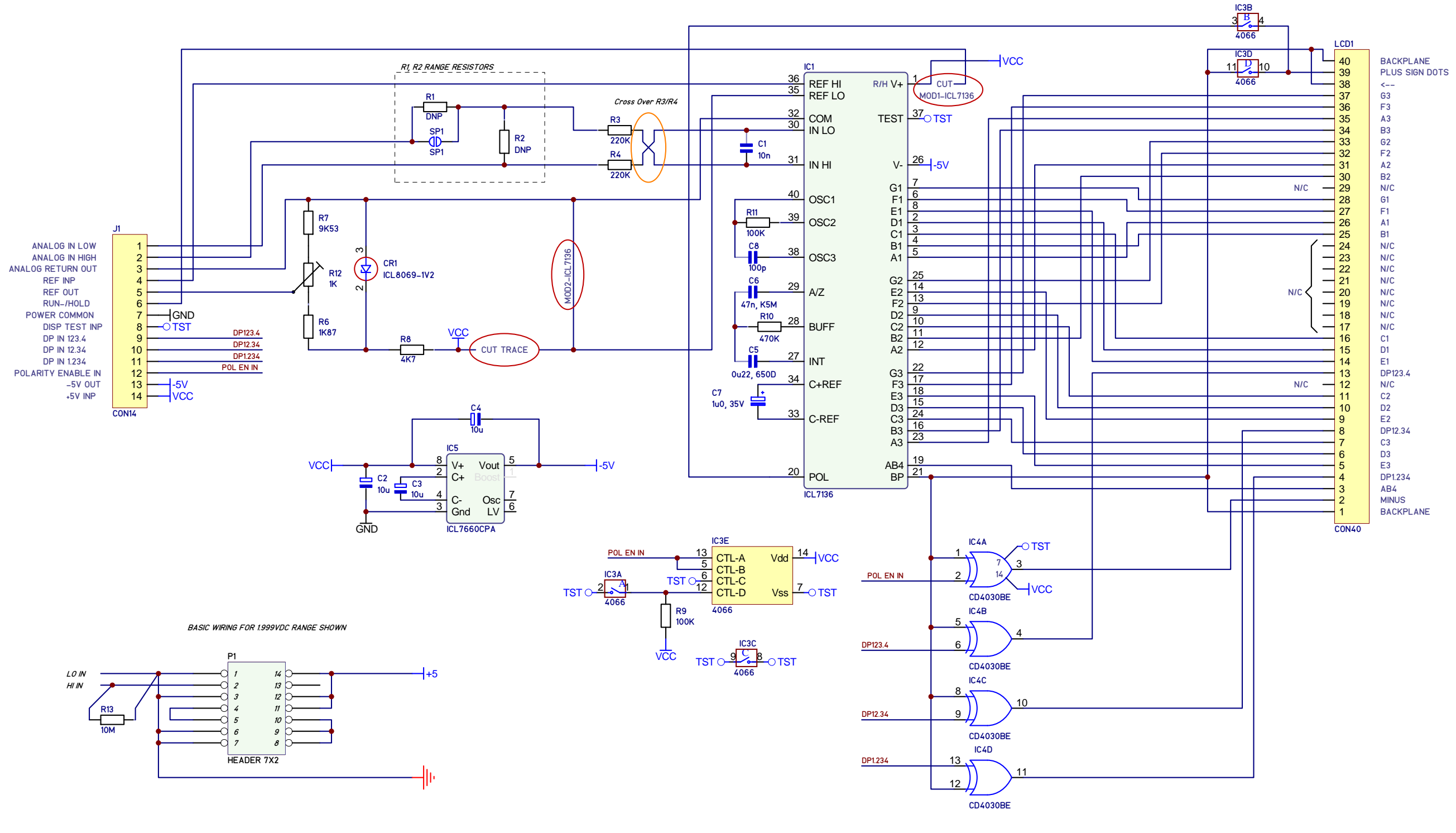


ASSY 7265



MODS:

The board requires two modifications to allow using the industry standard ADC ICL7106 or ICL7136. Datel uses for some reason an unique version of this LSI

- MOD1: Connect U1-PIN1 to +5V
- MOD2: Cut trace to U1-PIN35 and connect to COM (Pin32)

DATA SHEET:
<http://www.murata-ps.com/data/meters/dm-lx3.pdf>

Unless otherwise specified, all values are as follows: resistor values are in Ohms, i.e. 0R47, 5R6, 220, 5K6, 22K capacitor values are in Microfarads, i.e. 220p, 0u1, 2u2, 33 inductor values are in Microhenries, i.e. 0u22, 5u6, 68, 2m2		PCB Name: ASSY PC7256-0		Title: DATEL DM-LX3 DPM	
This drawing is our property. Duplication, unauthorized use of any kind is prohibited.		PCB Nr.: PC7265-0		Used in	
Without Approval use only for inquiry.		PCB Type:		Repl.for	
Approval:		Scale:		Build No.	
Date: 23-Mar-2015		Name: GJO		Drw. Type:	
Change Index:		Change Notification Nr.:		Prj. Nr: 15015	
Date:		Name:		Drw. Nr: 4415-0000	
Checked:		Date:		Size: A3	
Prototype <input type="checkbox"/> Production <input type="checkbox"/> BOM Done? <input type="checkbox"/>		Date:		Rev: 1	
		Name:		File: Datel_DM-LX3.sch	
				Sheet 1 of 1	