

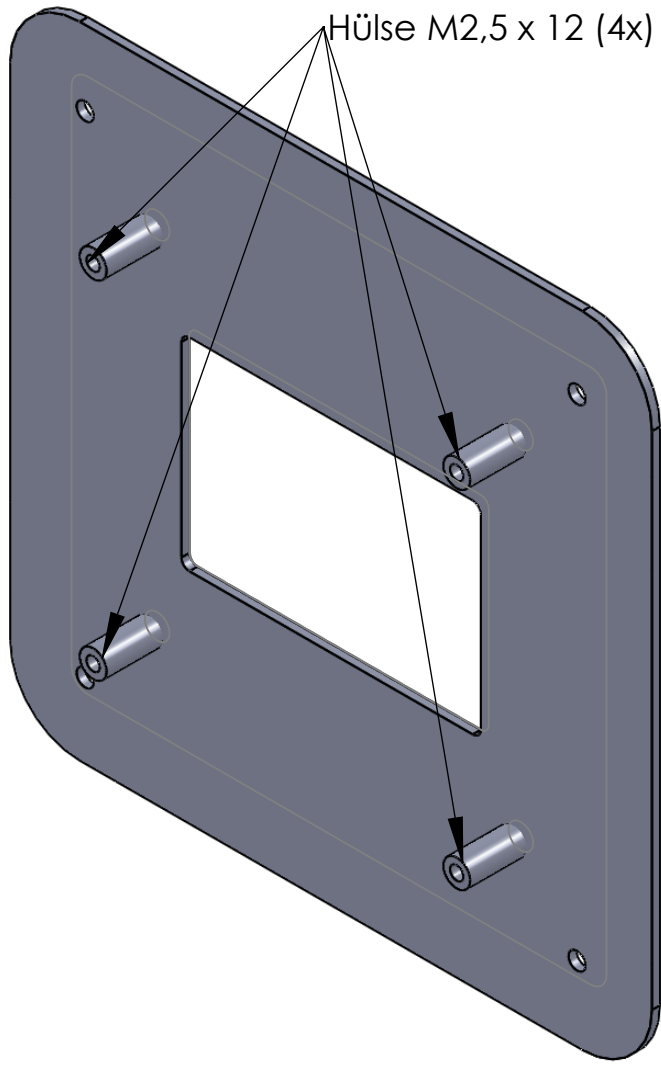
A

B

C

D

E



Hülse M2,5 x 12 (4x)

UNLESS OTHERWISE SPECIFIED: DIMENSIONS ARE IN MILLIMETERS SURFACE FINISH: TOLERANCES: LINEAR: ANGULAR:			FINISH:			DEBUR AND BREAK SHARP EDGES			DO NOT SCALE DRAWING			REVISION		
									TITLE:					
DRAWN														
CHKD														
APPV'D														
F MFG														
Q.A						MATERIAL:			DWG NO.			Display-BG_01		
												A4		
						WEIGHT:			SCALE:1:1			SHEET 1 OF 1		