

1

2

3

4

A

A

B

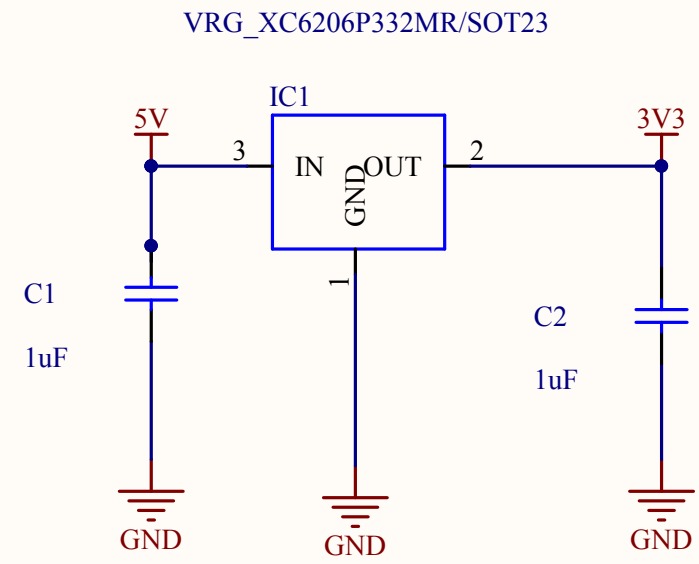
B

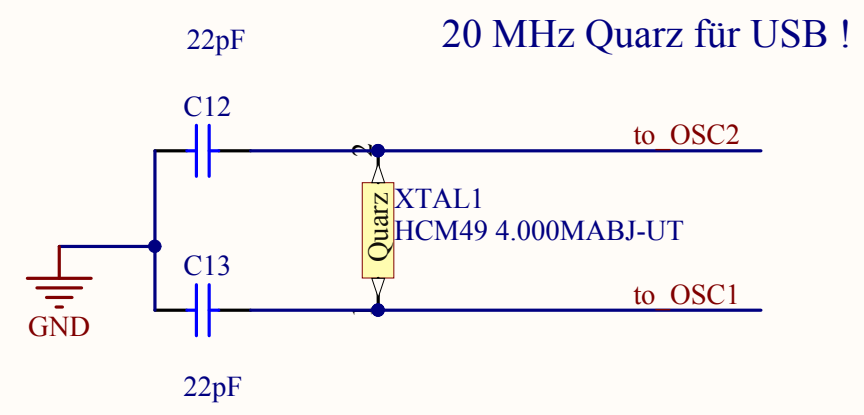
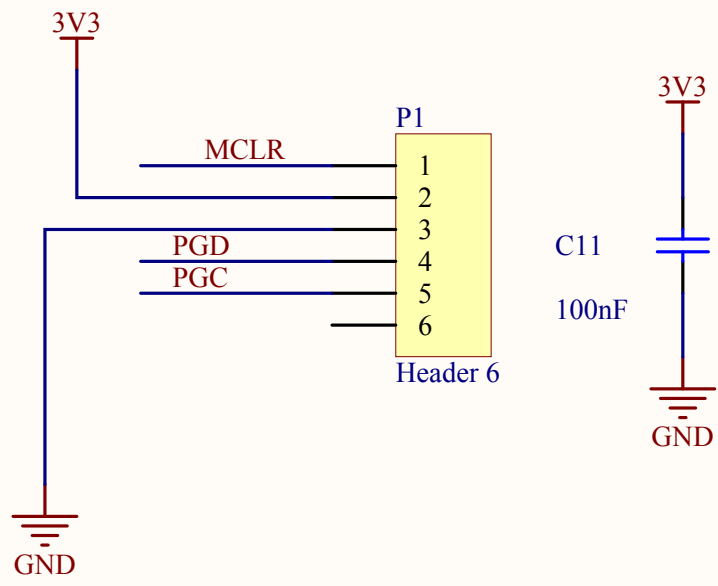
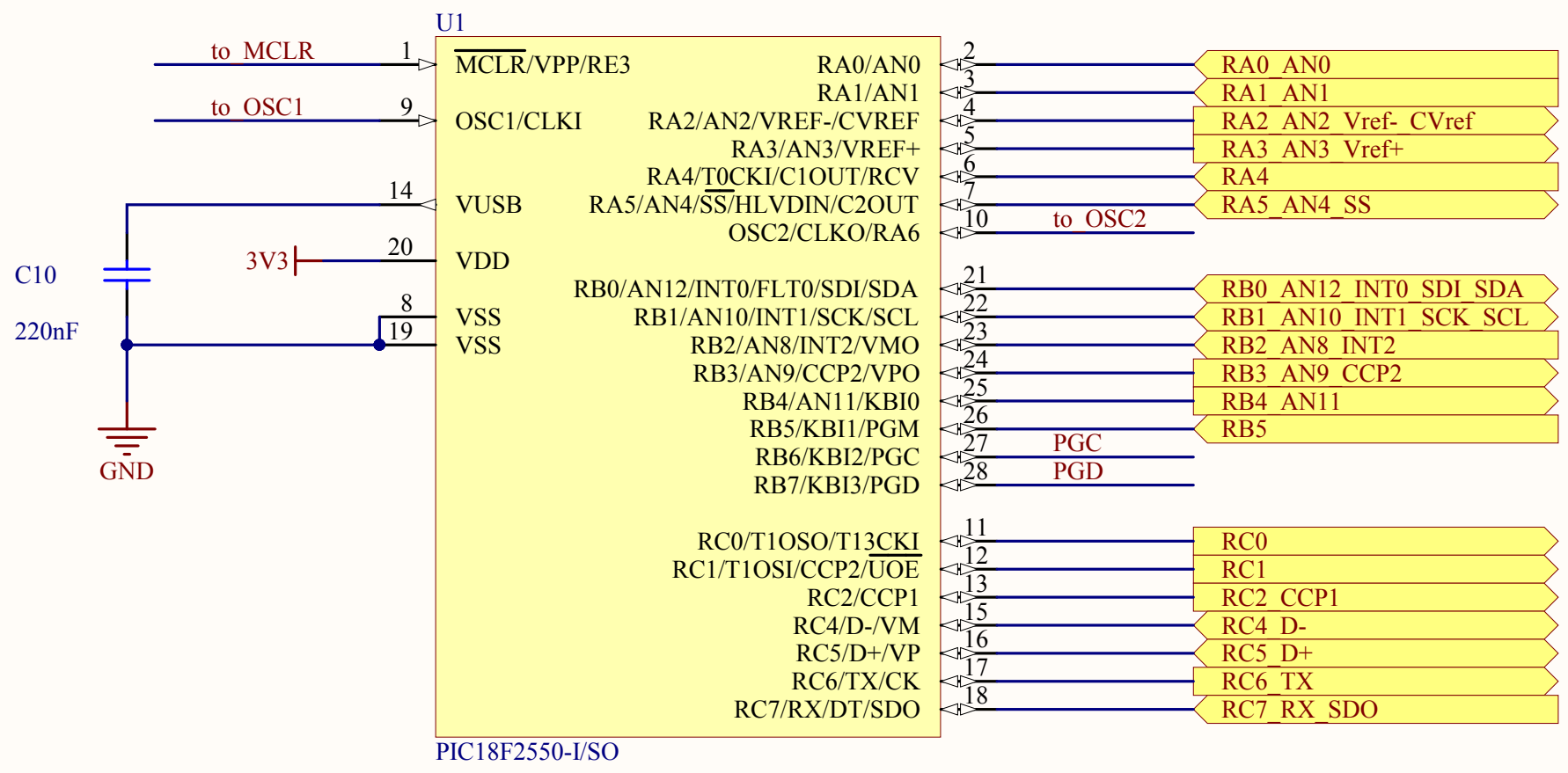
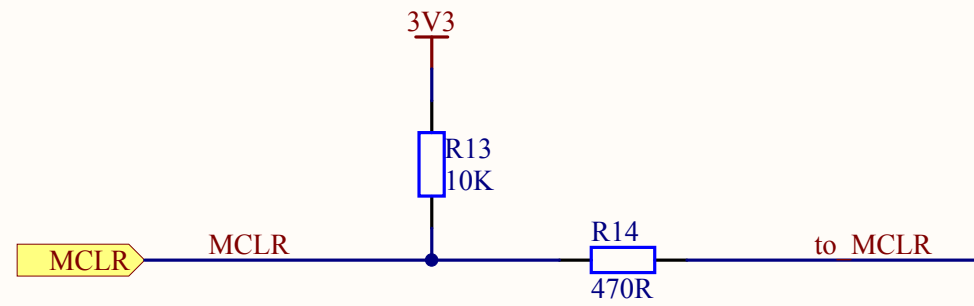
C

C

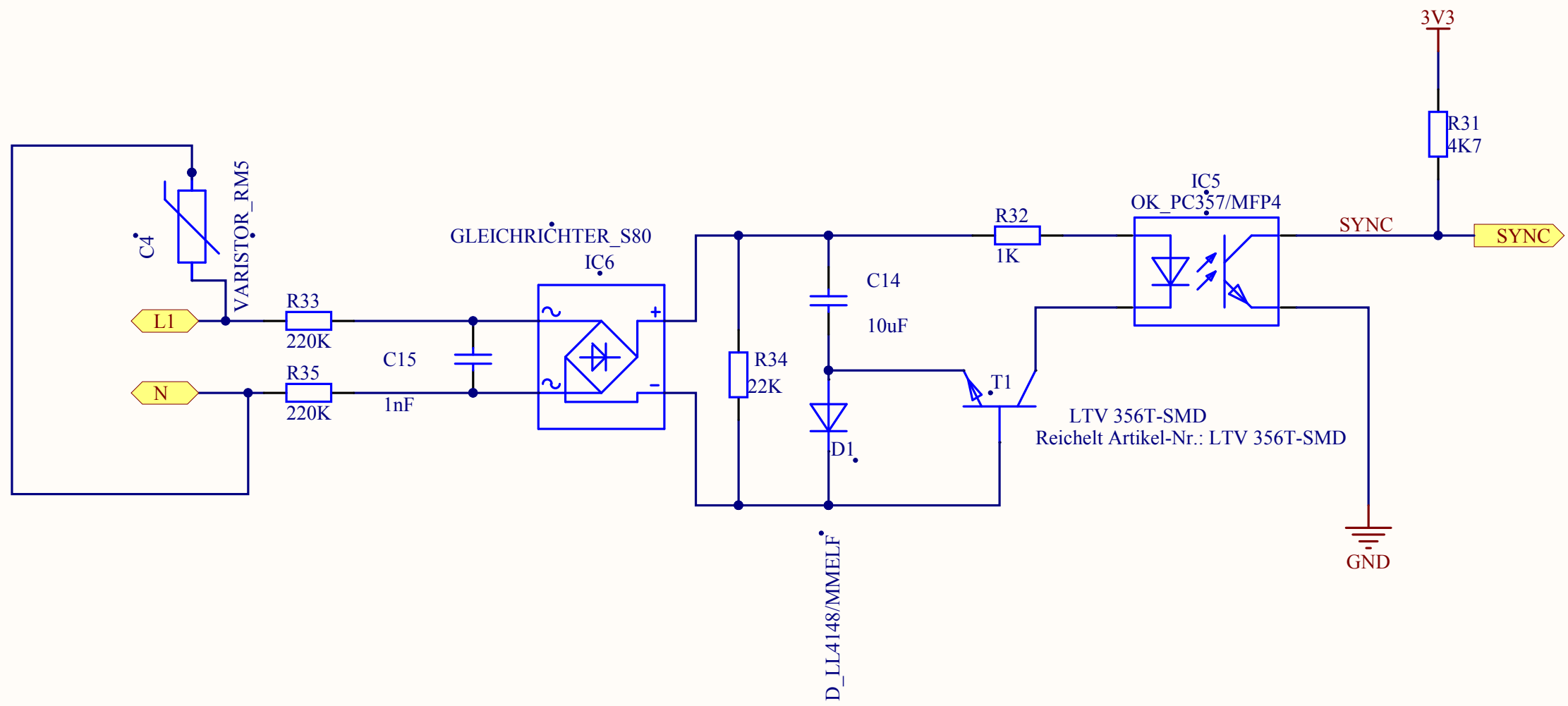
D

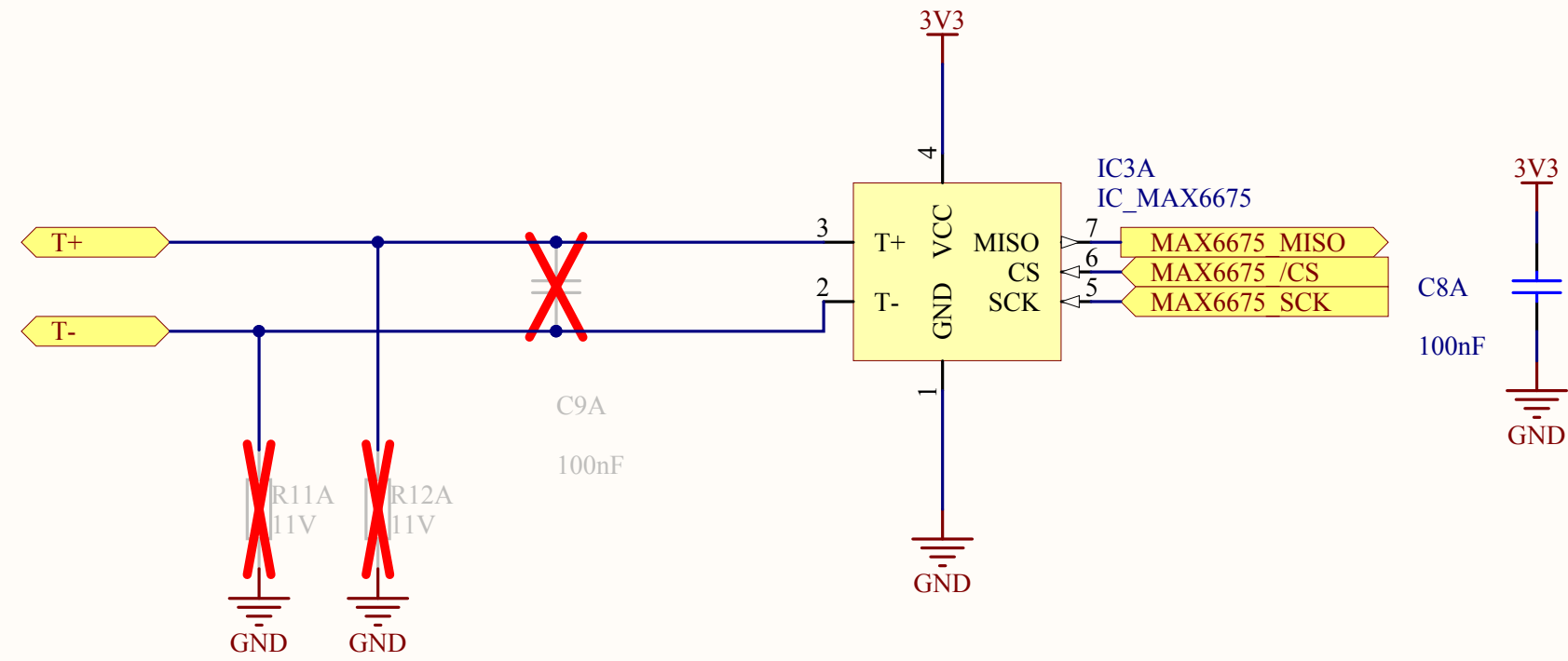
D

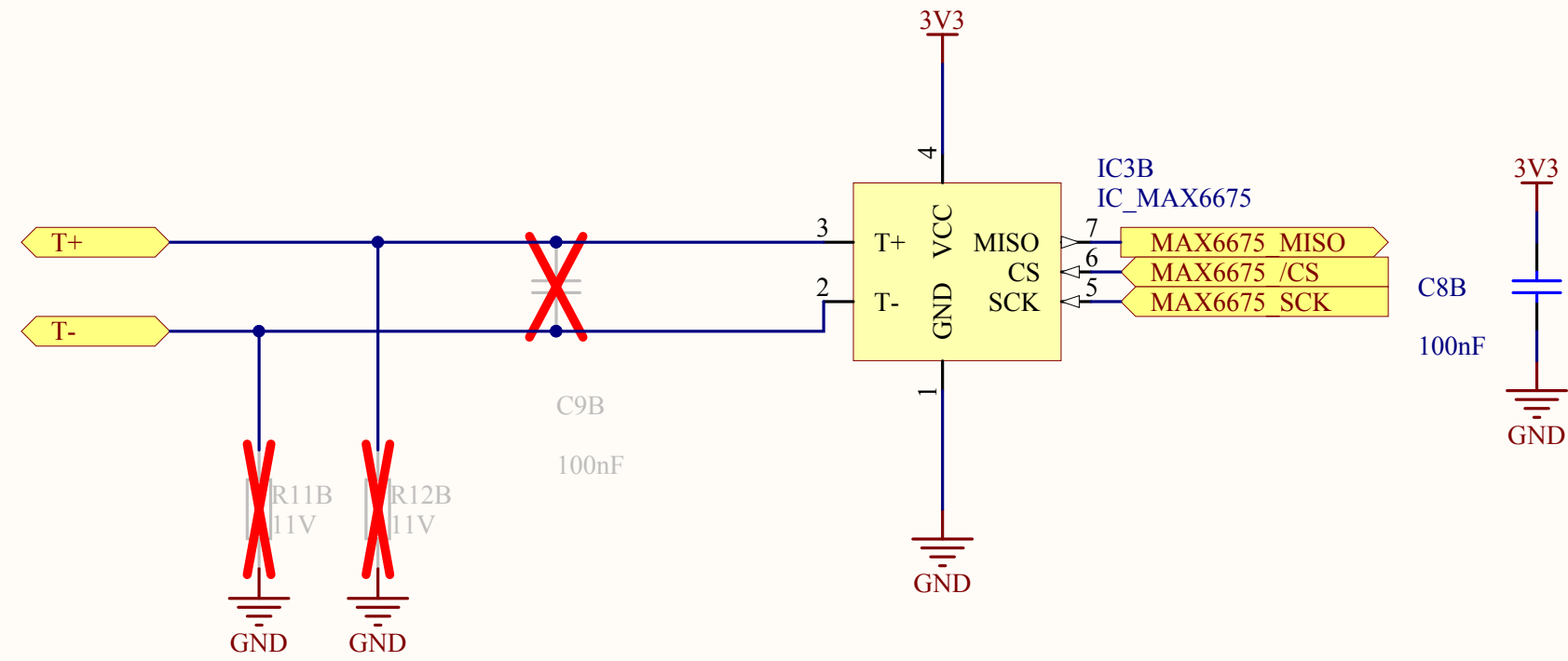












1

2

3

4

A

A

B

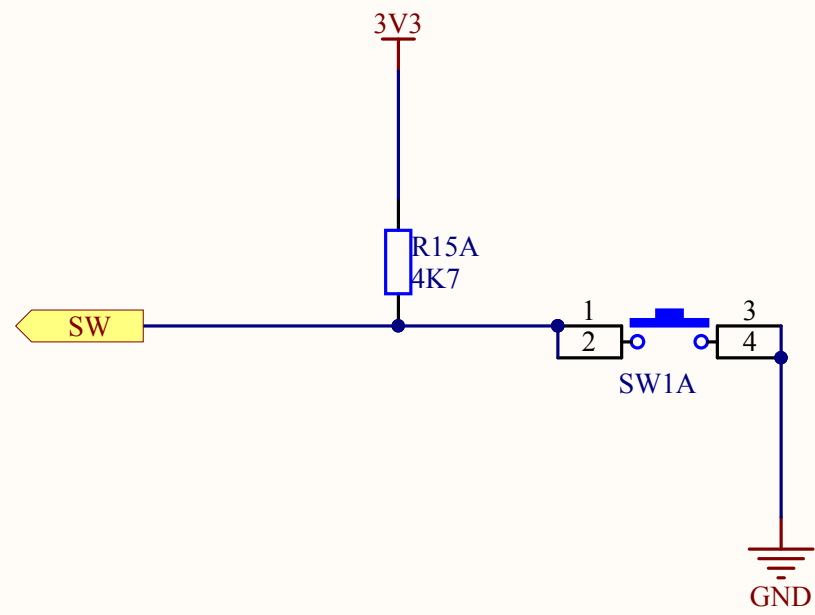
B

C

C

D

D



1

2

3

4



1

2

3

4

A

A

B

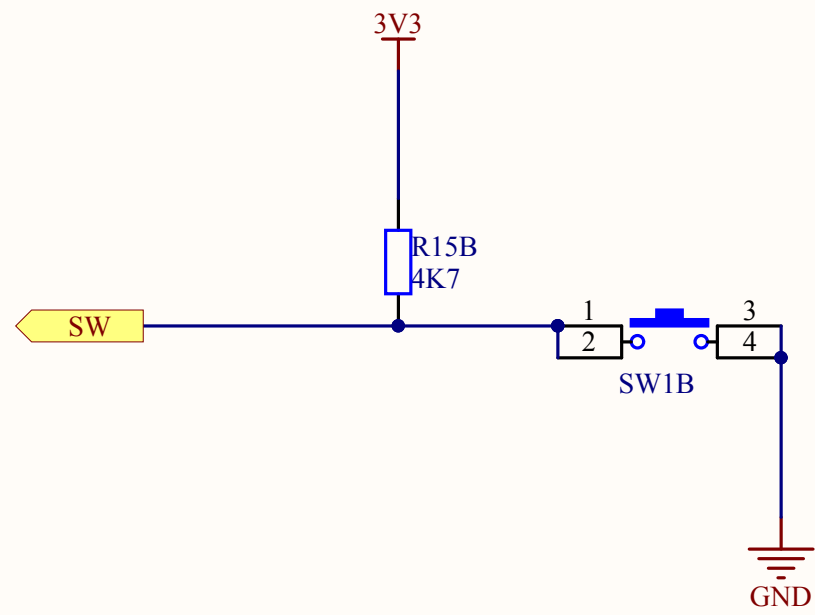
B

C

C

D

D



1

2

3

4

1

2

3

4

A

A

B

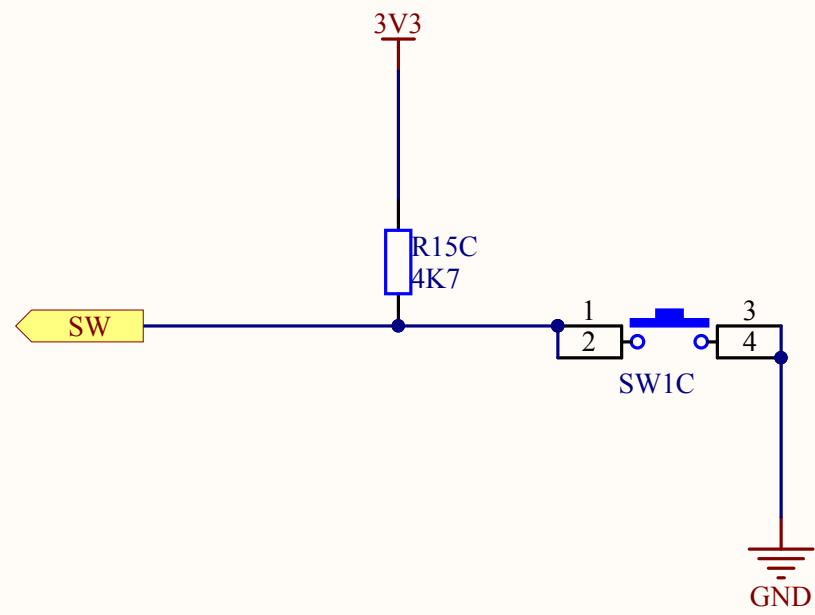
B

C

C

D

D



1

2

3

4

1

2

3

4

A

A

B

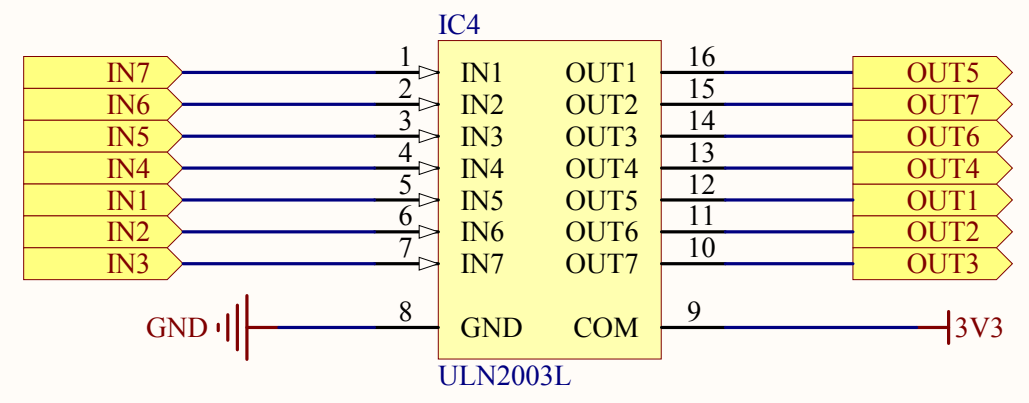
B

C

C

D

D



1

2

3

4

1

2

3

4

A

A

B

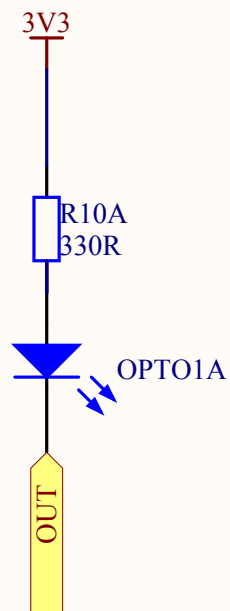
B

C

C

D

D



1

2

3

4

A

A

B

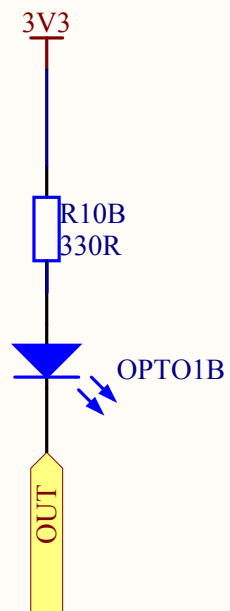
B

C

C

D

D



1

2

3

4

A

A

B

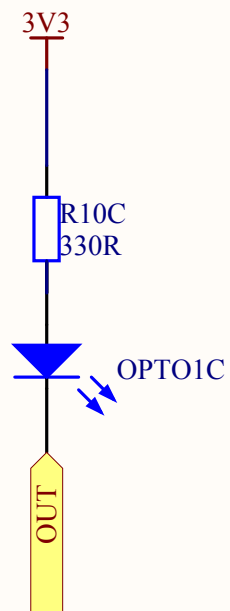
B

C

C

D

D



1

2

3

4

1

2

3

4

A

A

B

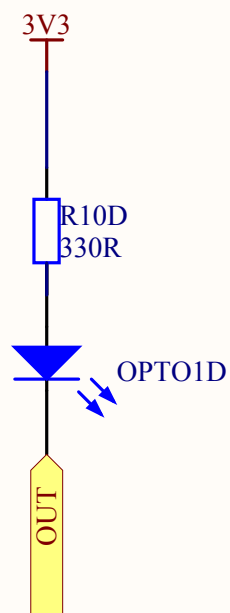
B

C

C

D

D



1

2

3

4

1

2

3

4

A

A

B

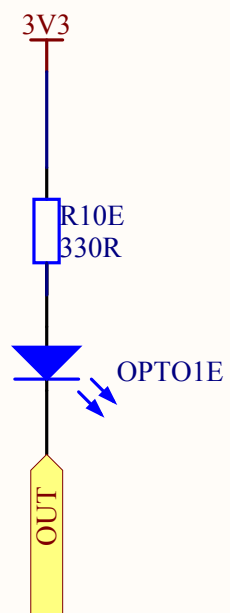
B

C

C

D

D





1

2

3

4

A

A

B

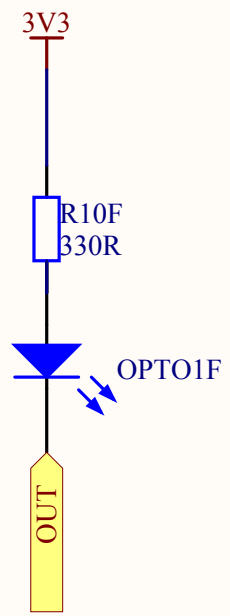
B

C

C

D

D



1

2

3

4

A

A

B

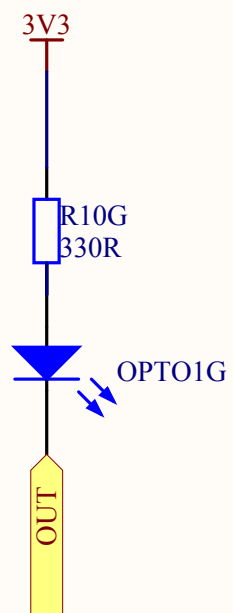
B

C

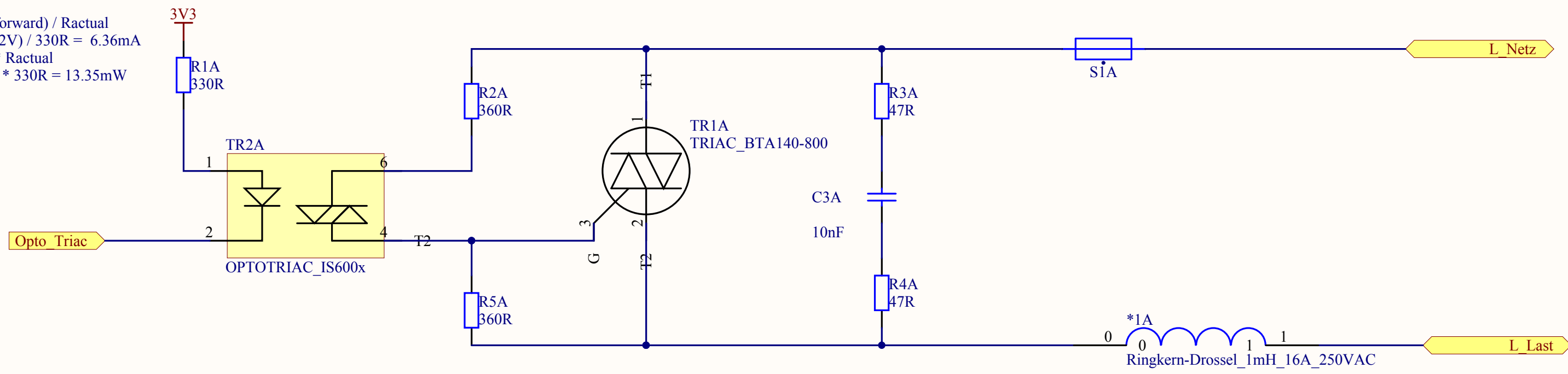
C

D

D



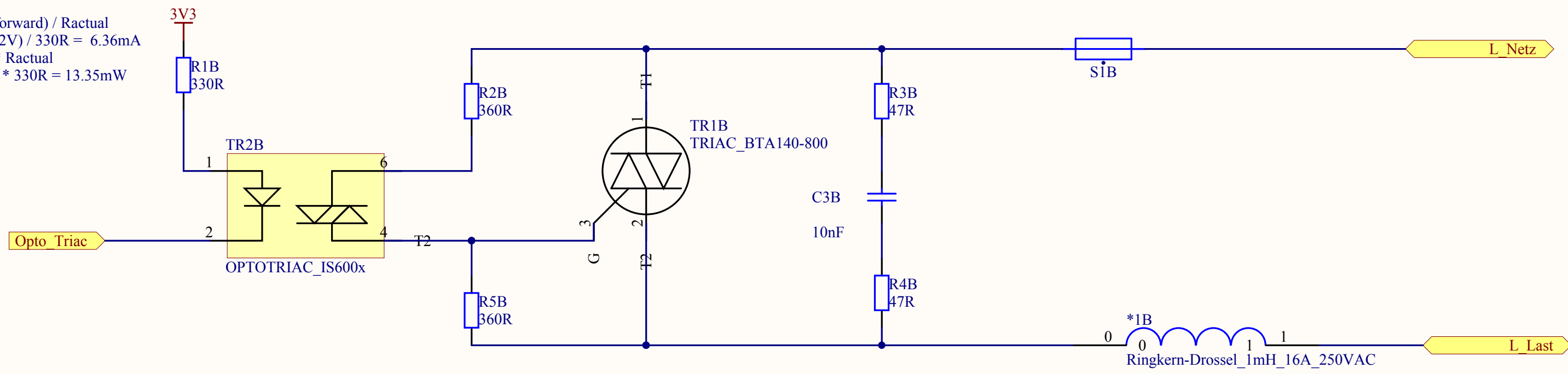
$V_{forward} = 1.2 \text{ to } 1.5 \text{ V}$   
 $I_{forwardToTrigger \text{ IS6005}} = 5 \text{ mA}$   
 $V_{dd} = 3.3 \text{ V}$   
 $R = (V_{dd} - V_{forward}) / I_{forwardToTrigger}$   
 $R = (3.3 \text{ V} - 1.2 \text{ V}) / 0.005 \text{ A} = 420 \text{ R}$   
 $R_{actual} = 330 \text{ R}$   
 $I_{actual} = (V_{dd} - V_{forward}) / R_{actual}$   
 $I_{actual} = (3.3 \text{ V} - 1.2 \text{ V}) / 330 \text{ R} = 6.36 \text{ mA}$   
 $P_{diss} = I_{actual}^2 * R_{actual}$   
 $P_{diss} = 6.36 \text{ mA}^2 * 330 \text{ R} = 13.35 \text{ mW}$



$47 \text{ R to } 100 \text{ R} + 47 \text{ nF to } 100 \text{ nF}$   
 e.g.  $47 \text{ R} + 22 \text{ nF}$

Spule / Drossel 1,5 mH  
 Conrad: 534455-63

$V_{forward} = 1.2 \text{ to } 1.5 \text{ V}$   
 $I_{forwardToTrigger \text{ IS6005}} = 5 \text{ mA}$   
 $V_{dd} = 3.3 \text{ V}$   
 $R = (V_{dd} - V_{forward}) / I_{forwardToTrigger}$   
 $R = (3.3 \text{ V} - 1.2 \text{ V}) / 0.005 \text{ A} = 420 \text{ R}$   
 $R_{actual} = 330 \text{ R}$   
 $I_{actual} = (V_{dd} - V_{forward}) / R_{actual}$   
 $I_{actual} = (3.3 \text{ V} - 1.2 \text{ V}) / 330 \text{ R} = 6.36 \text{ mA}$   
 $P_{diss} = I_{actual}^2 * R_{actual}$   
 $P_{diss} = 6.36 \text{ mA}^2 * 330 \text{ R} = 13.35 \text{ mW}$



$47 \text{ R to } 100 \text{ R} + 47 \text{ nF to } 100 \text{ nF}$   
 e.g.  $47 \text{ R} + 22 \text{ nF}$

Spule / Drossel  $1,5 \text{ mH}$   
 Conrad: 534455-63

$V_{forward} = 1.2 \text{ to } 1.5 \text{ V}$   
 $I_{forwardToTrigger \text{ IS6005}} = 5 \text{ mA}$   
 $V_{dd} = 3.3 \text{ V}$   
 $R = (V_{dd} - V_{forward}) / I_{forwardToTrigger}$   
 $R = (3.3 \text{ V} - 1.2 \text{ V}) / 0.005 \text{ A} = 420 \text{ R}$   
 $R_{actual} = 330 \text{ R}$   
 $I_{actual} = (V_{dd} - V_{forward}) / R_{actual}$   
 $I_{actual} = (3.3 \text{ V} - 1.2 \text{ V}) / 330 \text{ R} = 6.36 \text{ mA}$   
 $P_{diss} = I_{actual}^2 * R_{actual}$   
 $P_{diss} = 6.36 \text{ mA}^2 * 330 \text{ R} = 13.35 \text{ mW}$

