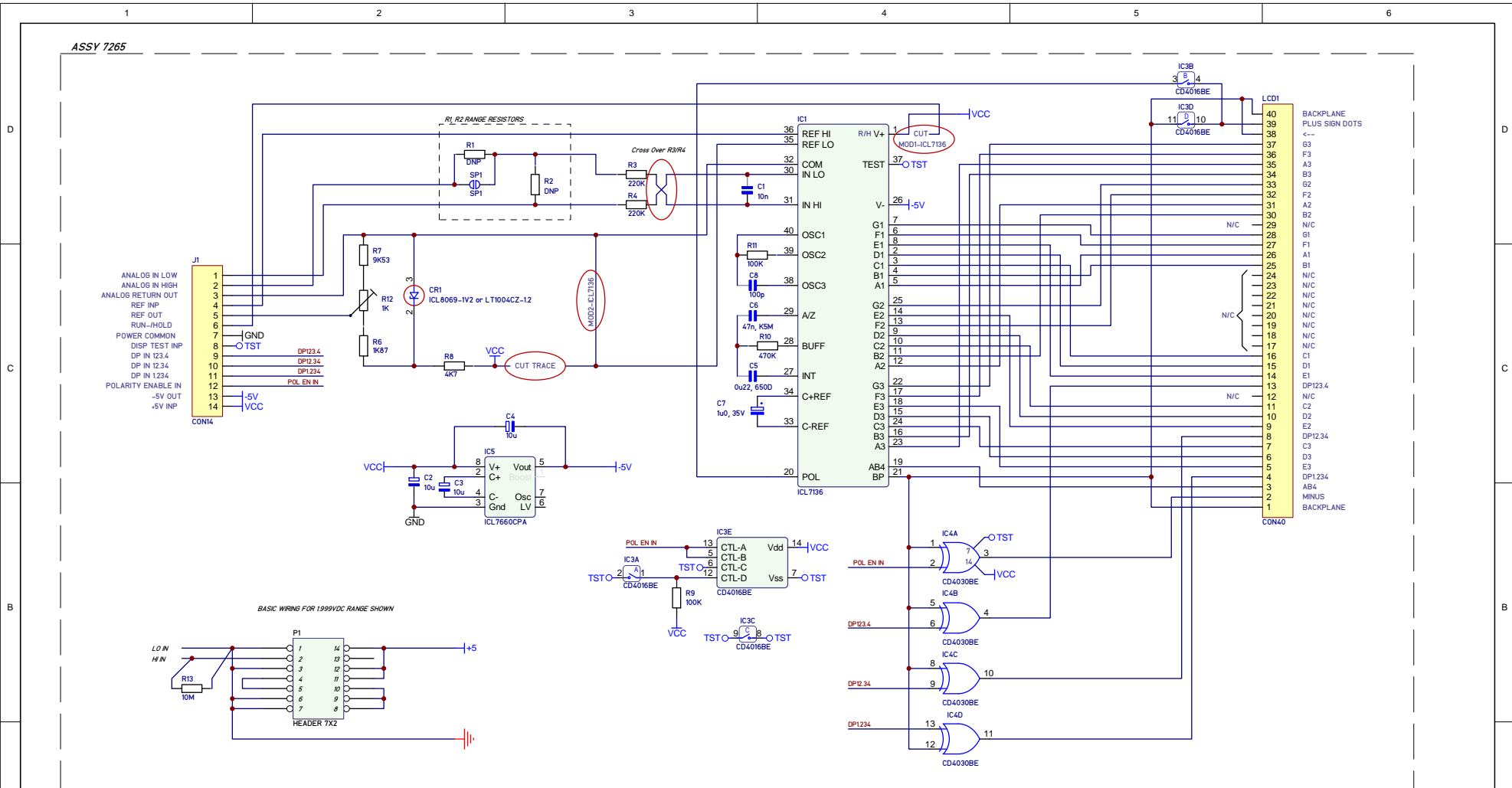


ASSY 7265

1 2 3 4 5 6



MODS:

The board requires two modifications to allow using the industry standard ADC ICL7106 or ICL7136. Datel uses for some reason an unique version of this LSI

MOD1: Connect UI-PINI to -5V
 MOD2: Cut trace to UI-PIN35 and connect to COM (Pin32)

DATA SHEET:
<http://www.murata-ps.com/data/meters/dm-lx3.pdf>

Unless otherwise specified, all values are as follows:
 resistor values are in Ohms, i.e. 0R47, 5R6, 220, 5K6, 22K
 capacitor values are in Microfarads, i.e. 220p, 0u1, 2u2, 33
 inductor values are in Microhenries, i.e. 0u22, 5u6, 68, 2m2

This drawing is our property. Duplication, unauthorized use of any kind is prohibited.

Without Approval use only for inquiry.

Approved:

Date		Name		Change Index		Change Notification Nr.		Date		Name	
24-Mar-2015		G.JD									
Modified											
Checked											
<input type="checkbox"/> Prototype <input type="checkbox"/> Production <input type="checkbox"/> BOM Done?											

PCB Name: ASSY PC7256-0
 PCB Nr: PC7265-0

Title: DATEL DM-LX3 DPM

Used in	Repl.for	Build No.
Drw. Type:	Prj. Nr:	15015
Size: A3	Rev: 1	Drw. Nr: 4415-0023-1
File: Datel_DM-LX3.sch		Sheet 1 of 1