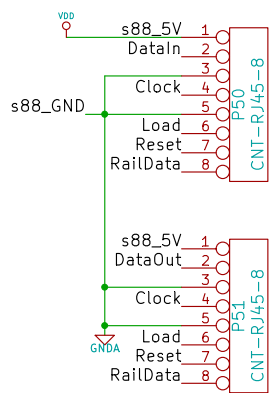
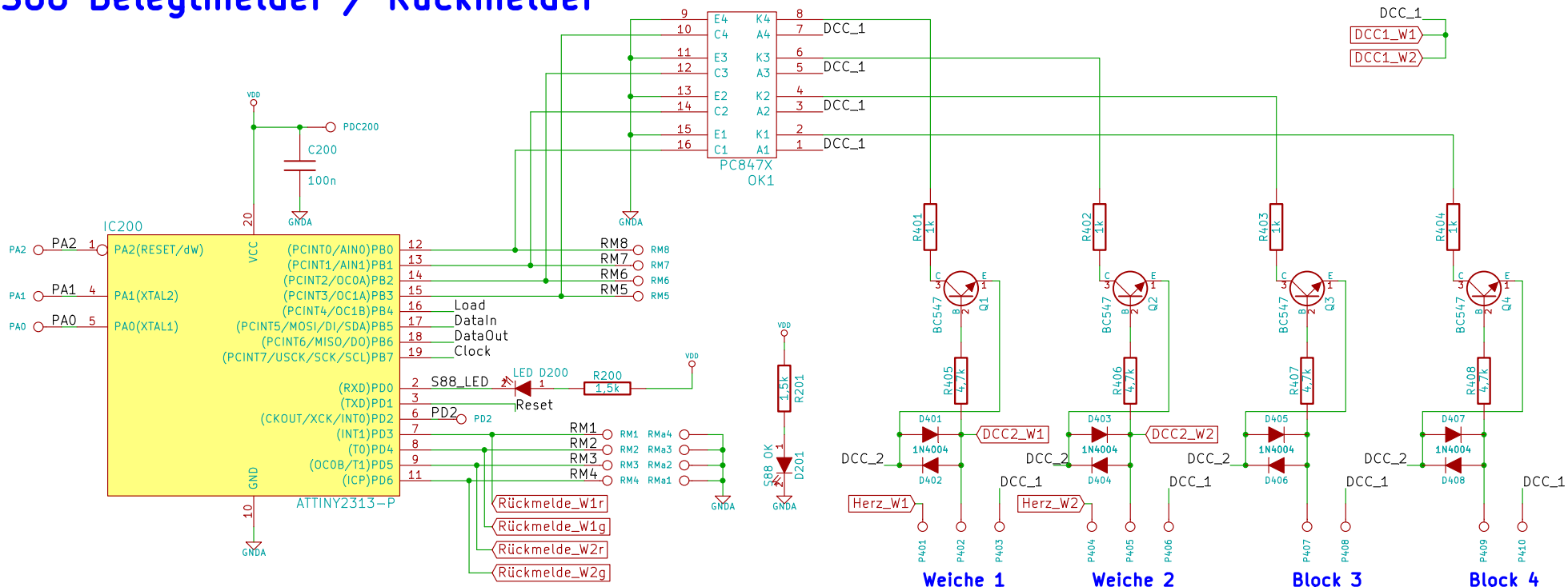
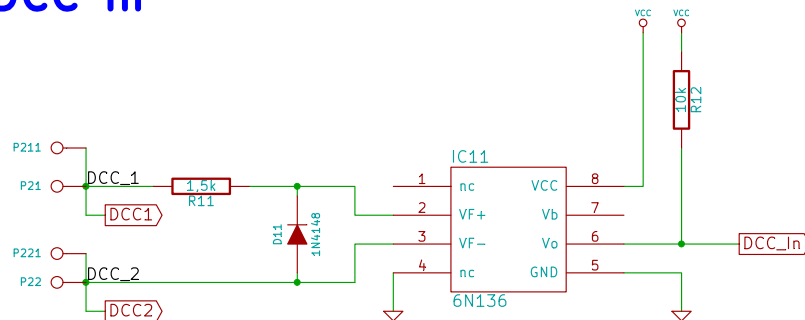


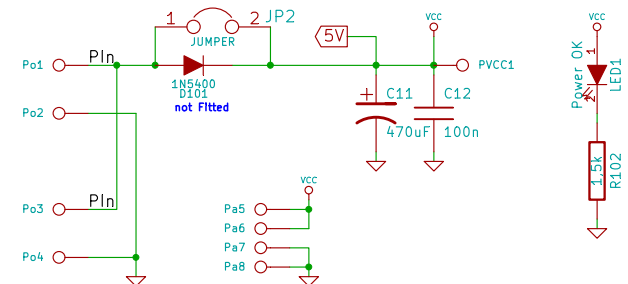
S88 Belegtmelder / Rückmelder



DCC In

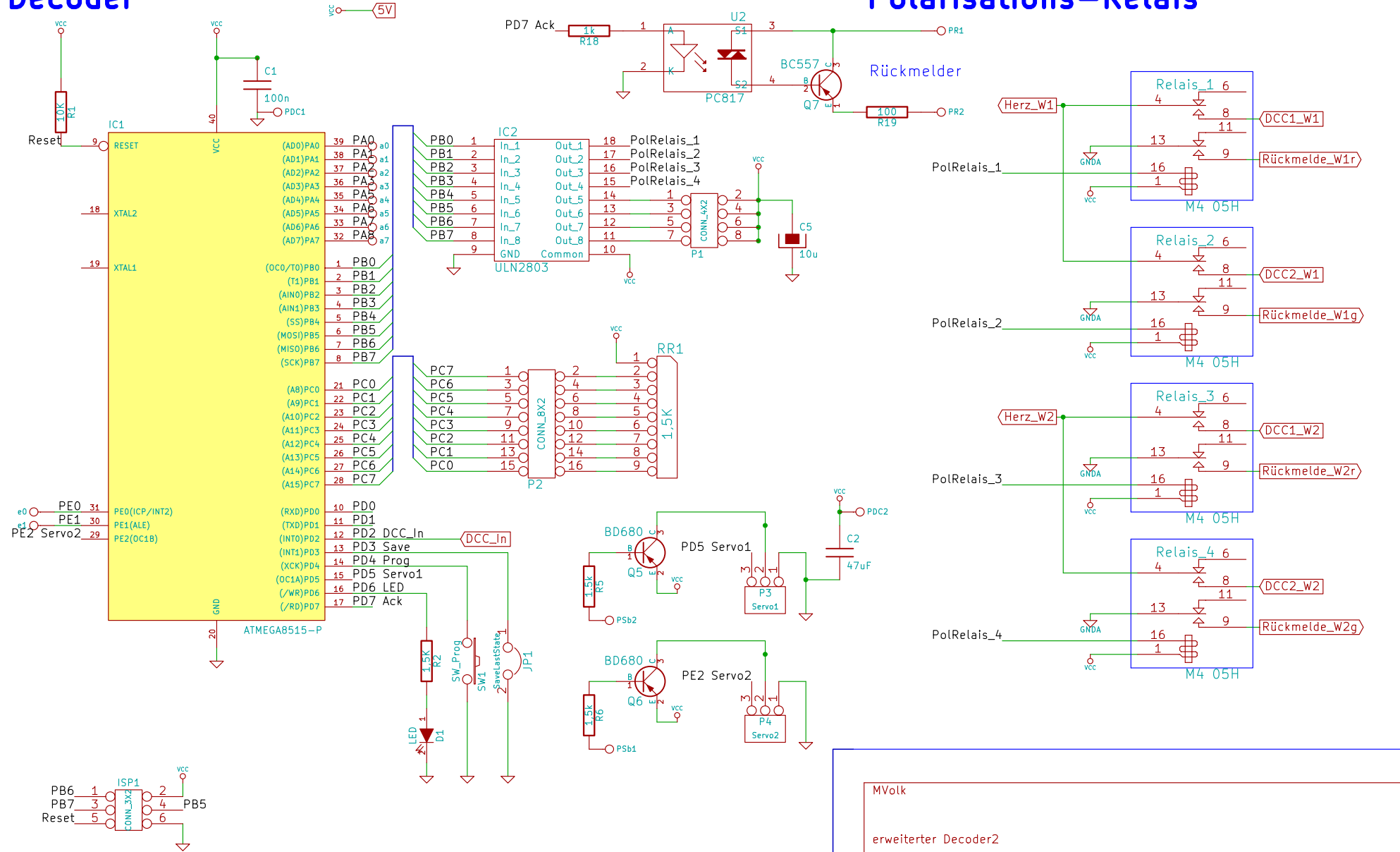


Spannungsversorgung 5V



Decoder

Polarisations-Relais



M Volk	
erweiterter Decoder2	
File: ServoDecoder1.sch Sheet: /Part1-Servo1/	
Title: OpenDCC ServoDecoder	
Size: A4	Date: 22 nov 2010
KiCad E.D.A.	eeschema (2010-05-05 BZR 2356)-stable
Id: 3/3	Rev: 1